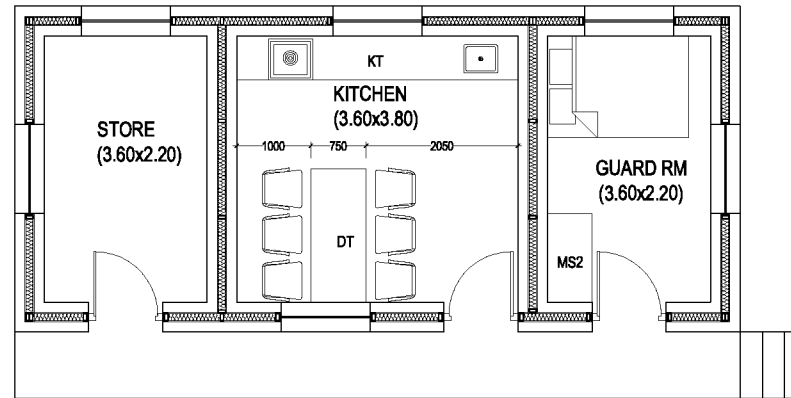
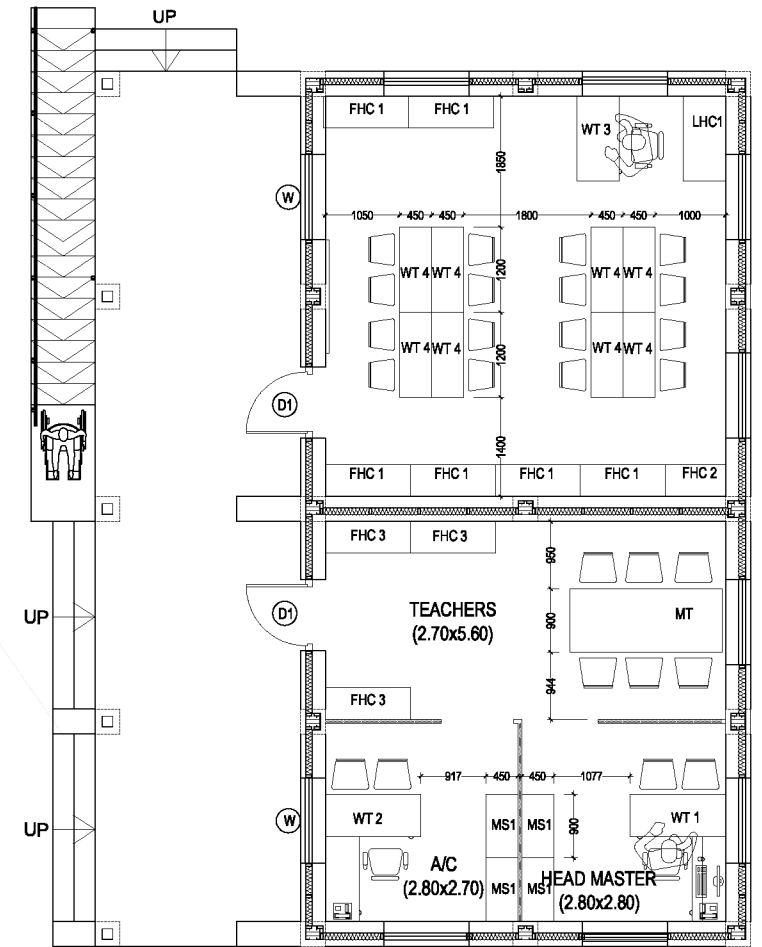


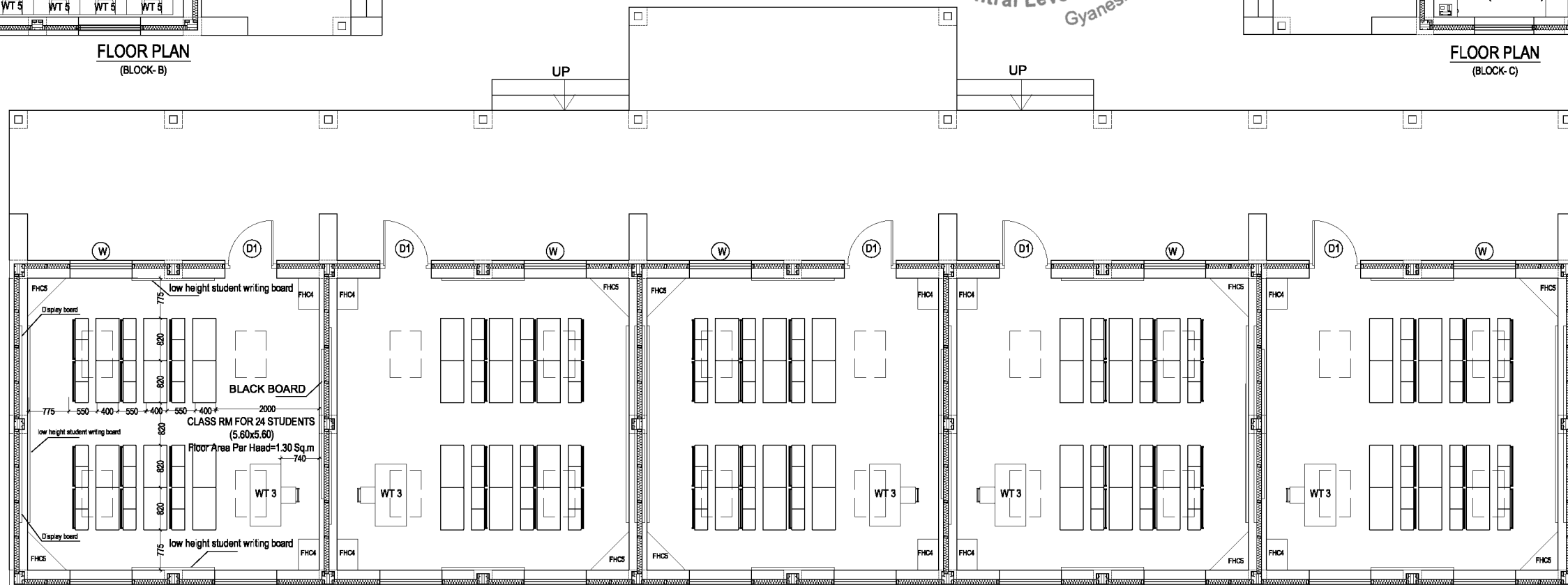
FLOOR PLAN
(BLOCK-B)



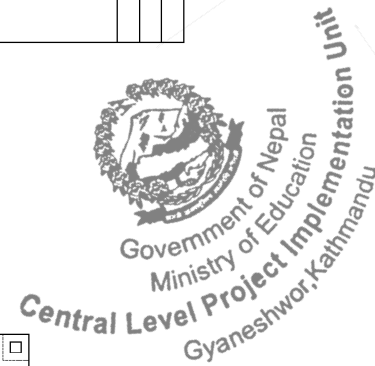
FLOOR PLAN
(BLOCK-D)



FLOOR PLAN
(BLOCK-C)



GROUND FLOOR PLAN
(BLOCK-A)



Client:-
Asian Development Bank
Resident Mission, Nepal

Project Title:-
Post-Earthquake school
Reconstruction Project (TA-8521-NEP)

Sheet Title :- Furniture Layout Plan Block A, B, C & D

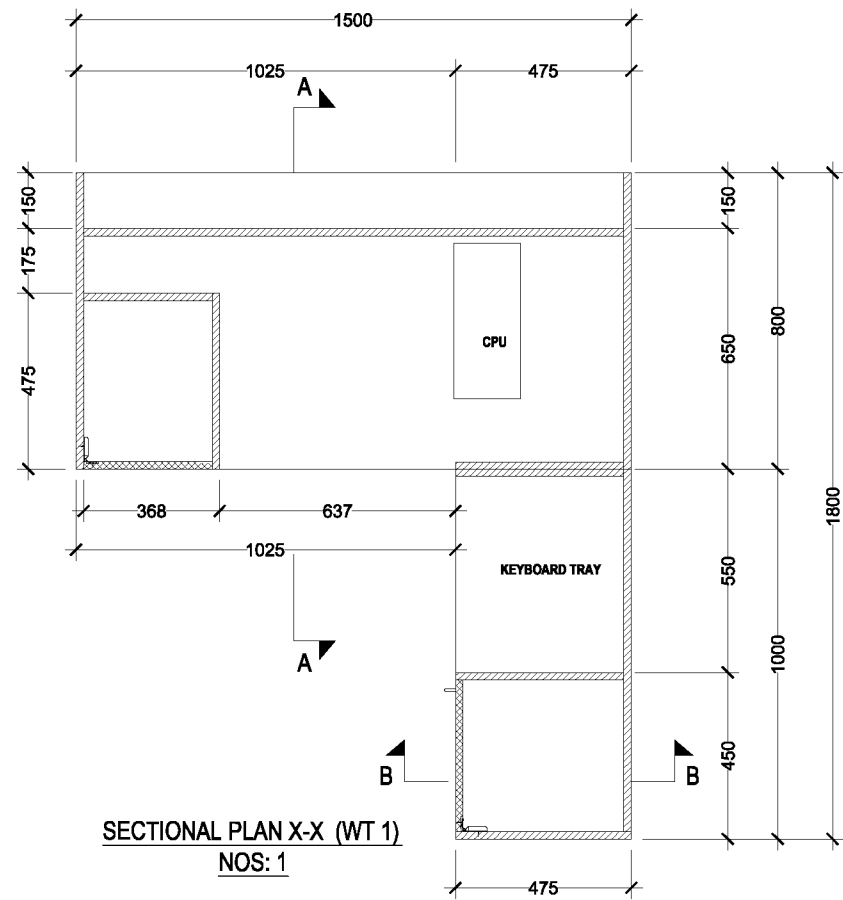
DATE : 23-September 2015
SCALE: 1:100
Architect: AR. UJJWAL M. SHAKYA

NOTE:-

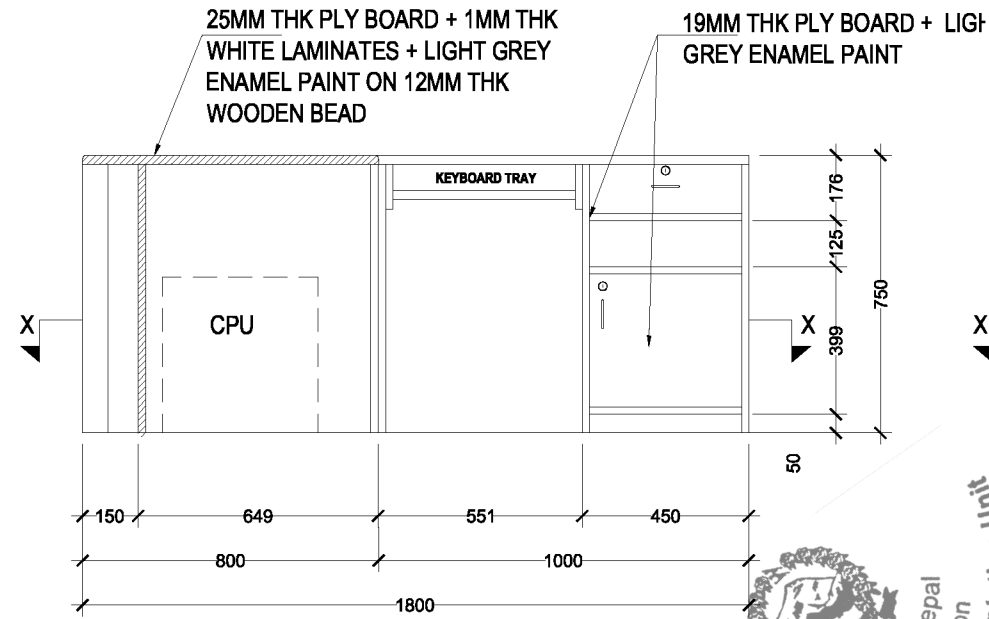
DWG. NO.

I

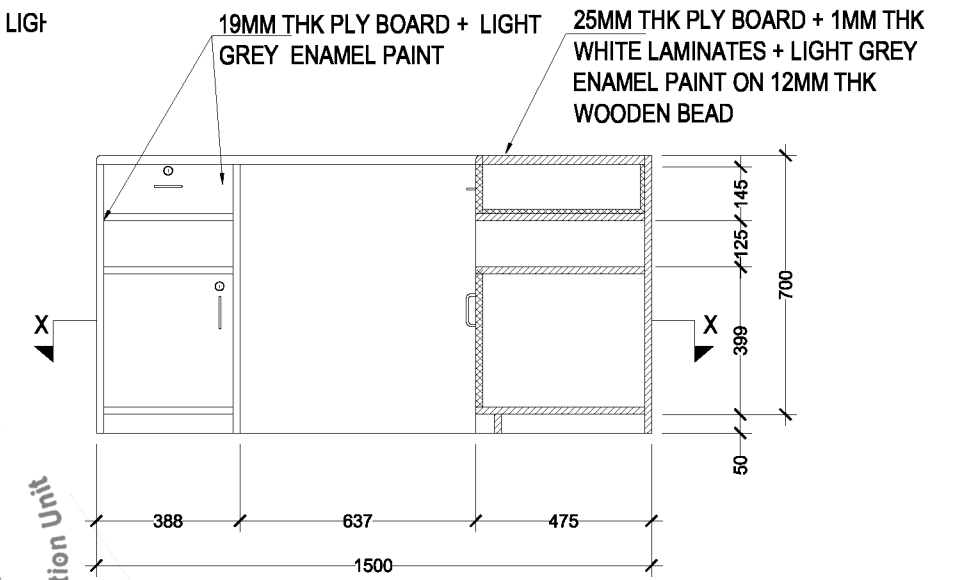
01



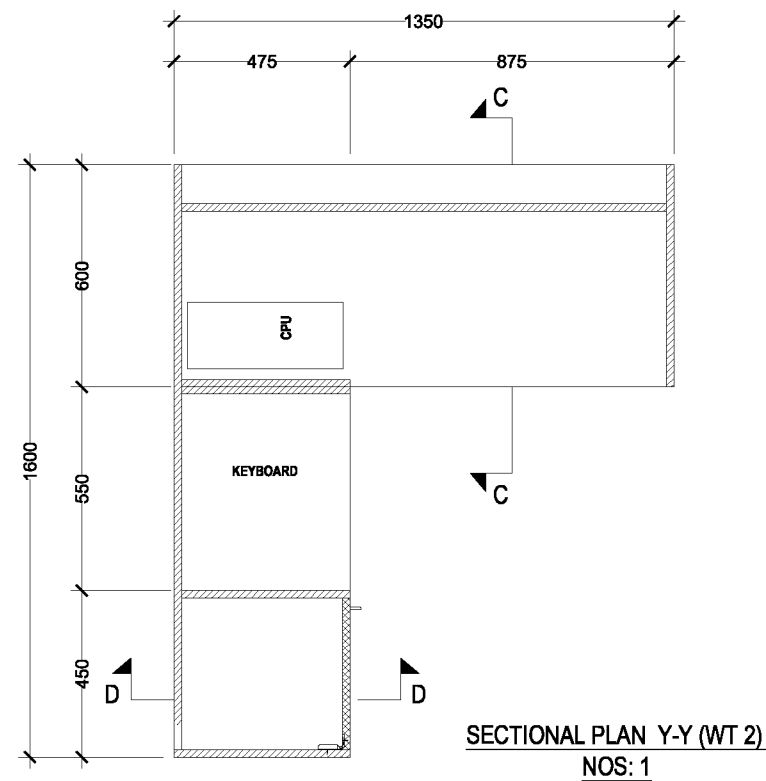
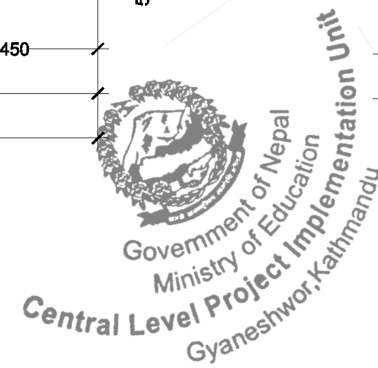
SECTIONAL PLAN X-X (WT 1)
NOS: 1



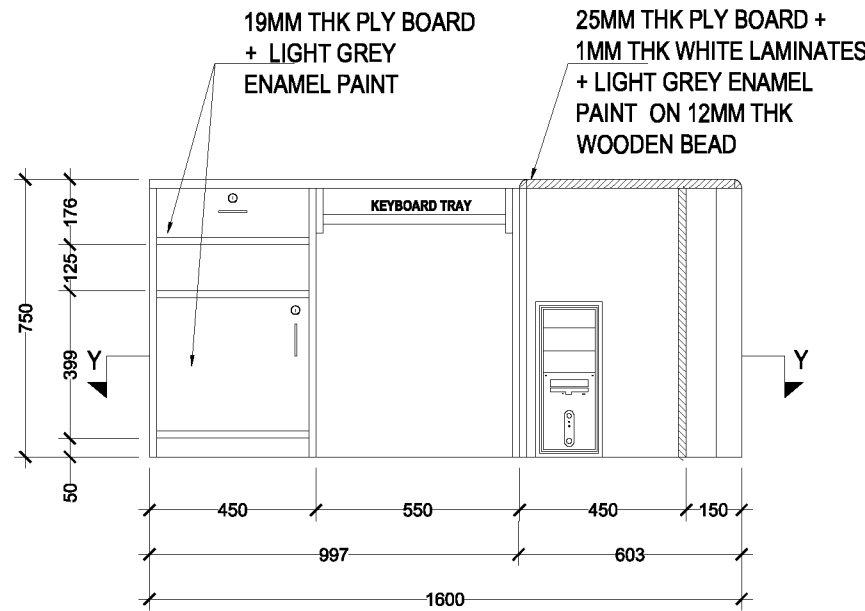
SECTIONAL ELEVATION A-A



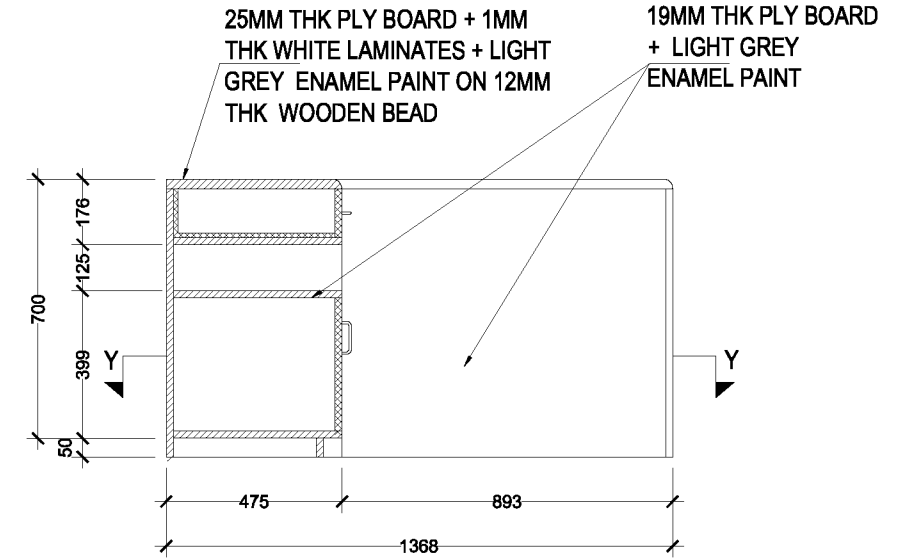
SECTIONAL ELEVATION B-B



SECTIONAL PLAN Y-Y (WT 2)
NOS: 1



SECTIONAL ELEVATION C-C



SECTIONAL ELEVATION D-D

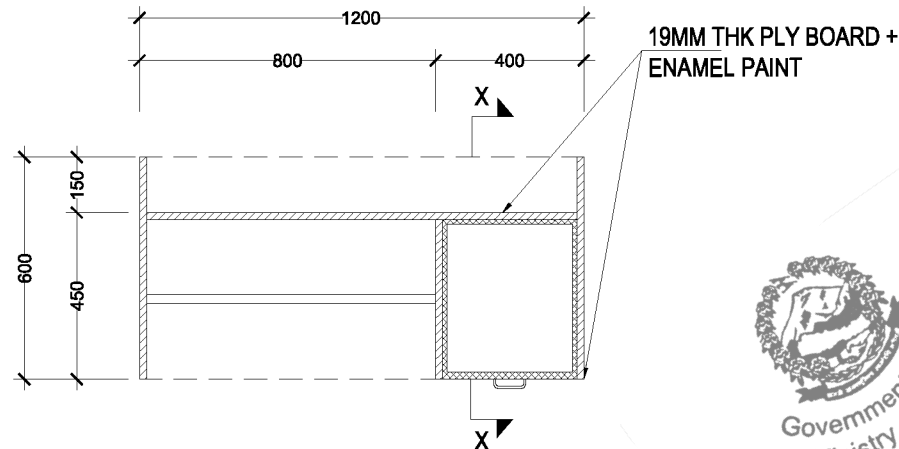
Client:-
Asian Development Bank
Resident Mission, Nepal

Project Title:-
Post-Earthquake School
Reconstruction Project (TA-8521-NEP)
Sheet title :- Furniture Detail : DT-PS2 (OPTIONS-2)

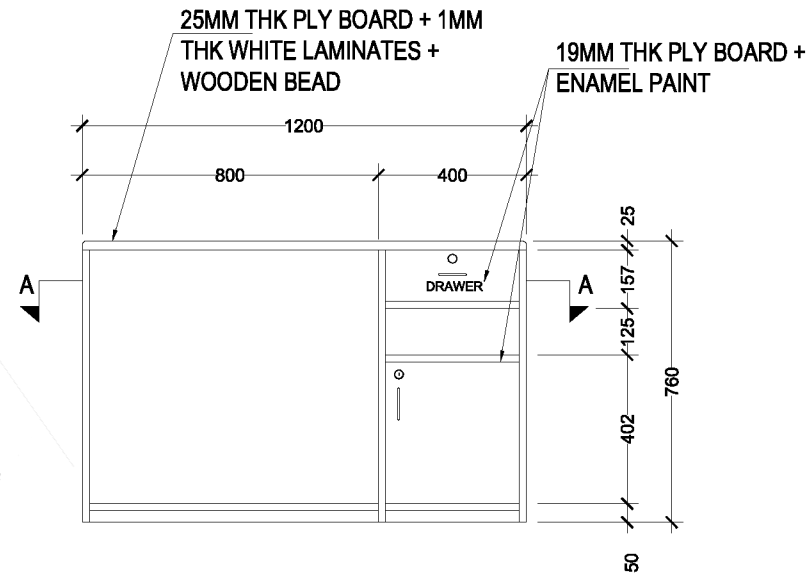
DATE : 23 - SEPTEMBER 2015
SCALE : 1:20
Architect: AR. UJJWAL M. SHAKYA

NOTE:-

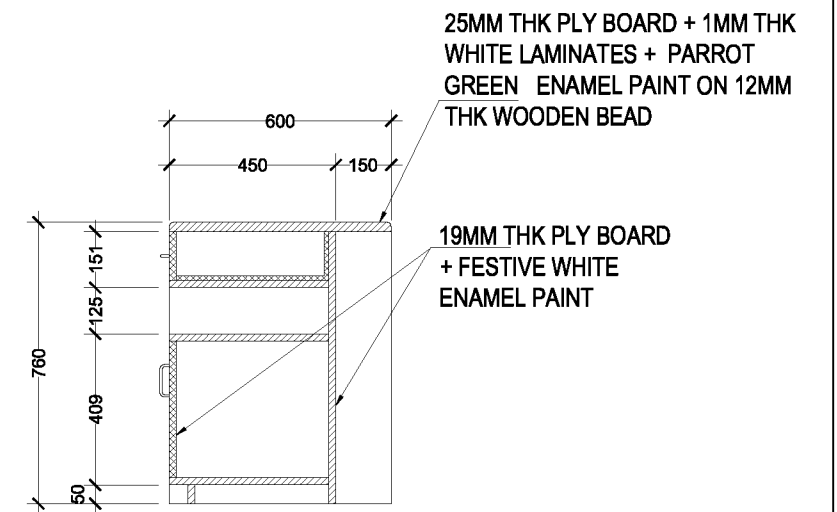
DWG. NO.
1
02



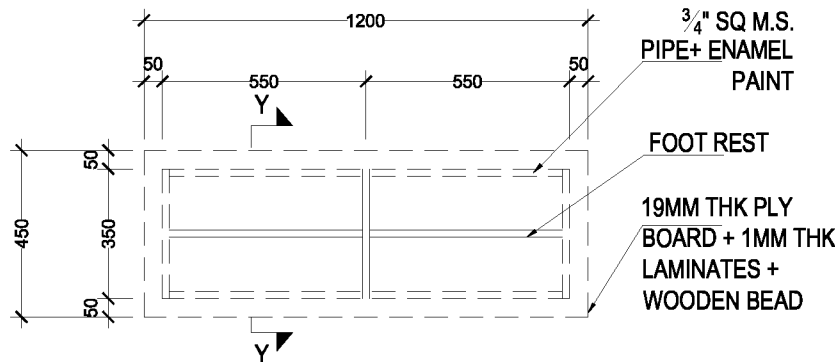
SECTIONAL PLAN A-A (WT 3)
NOS: 8



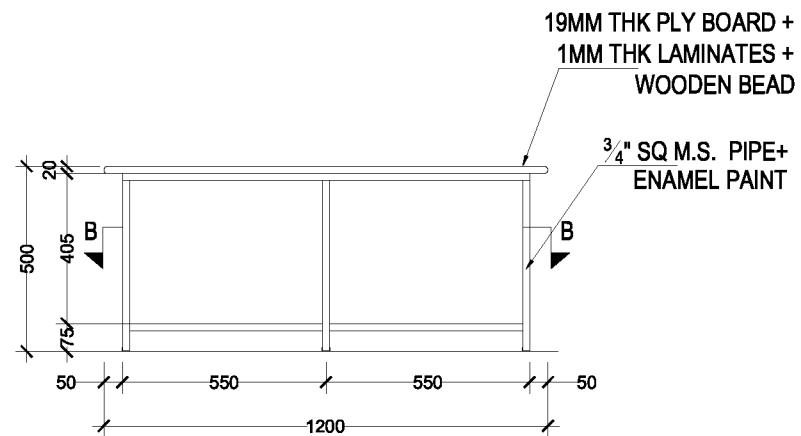
FRONT ELEVATION (WT 3)



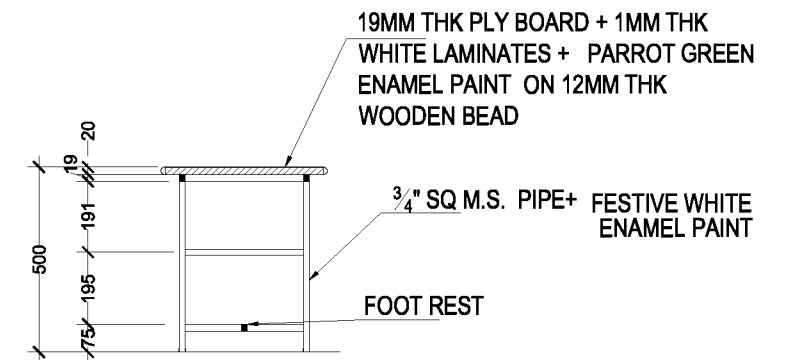
SECTIONAL ELEVATION X-X



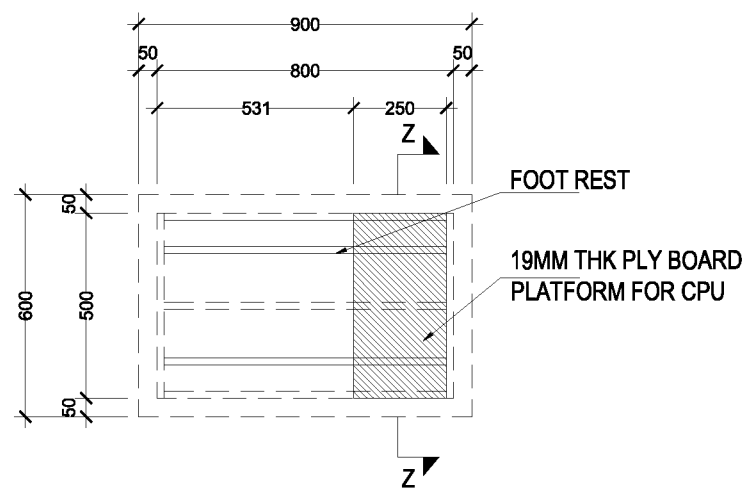
SECTIONAL PLAN B-B (WT 4)
NOS: 8



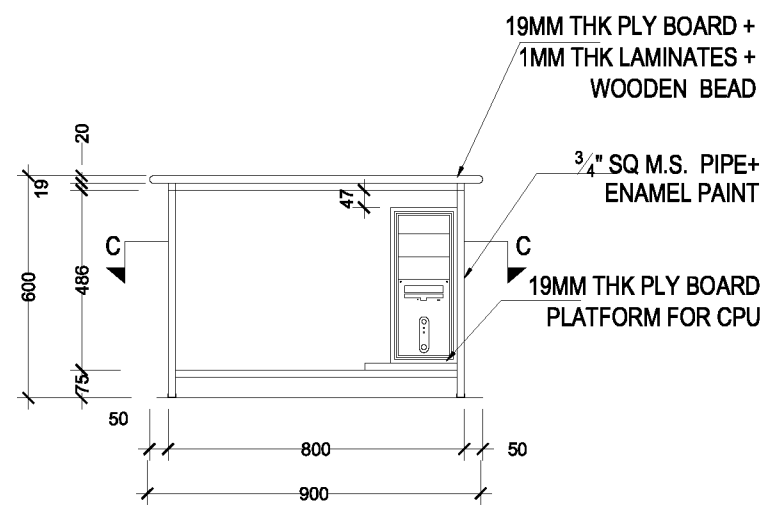
ELEVATION (WT 4)



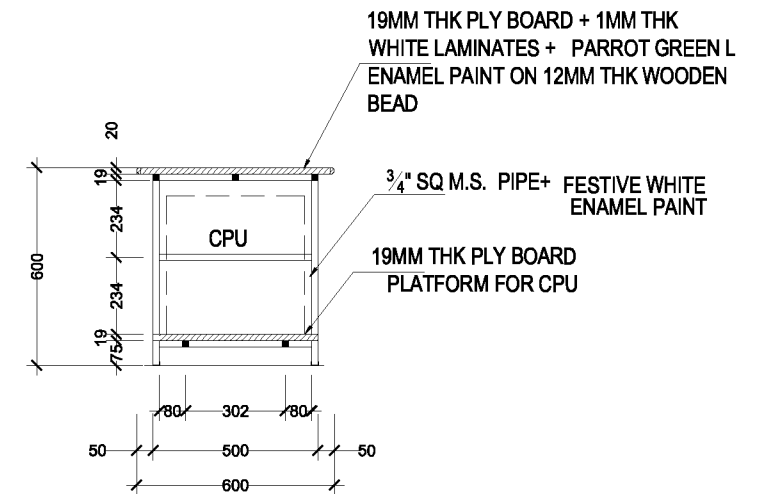
SECTIONAL ELEVATION Y-Y (WT 4)



SECTIONAL PLAN C-C (WT 5)
NOS: 12



FRONT ELEVATION (WT 5)



SECTIONAL ELEVATION Z-Z (WT 5)

Client:-
Asian Development Bank
Resident Mission, Nepal

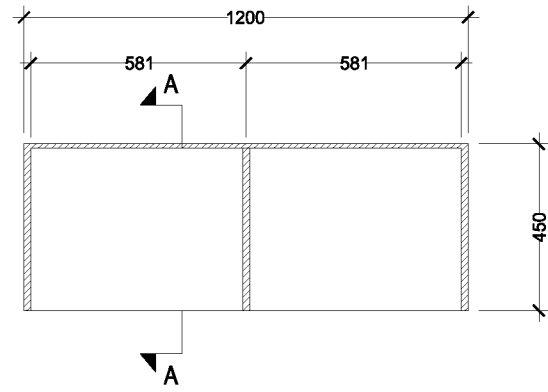
Project Title:-
Post-Earthquake School
Reconstruction Project (TA-8521-NEP)
Sheet title :- Furniture Detail : DT-PS2 (OPTIONS-2)

DATE : 23 - SEPTEMBER 2015
SCALE: 1:20
Architect: AR. UJJWAL M. SHAKYA

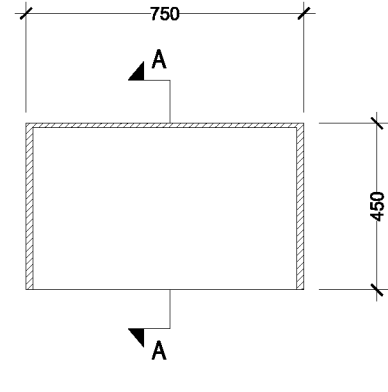
NOTE:-

DWG. NO.

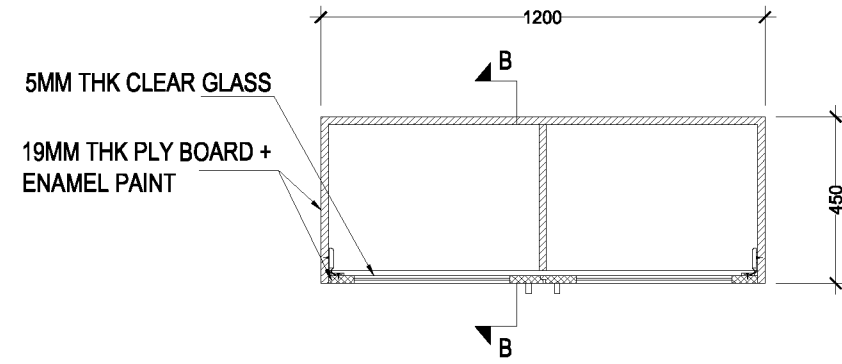
I
03



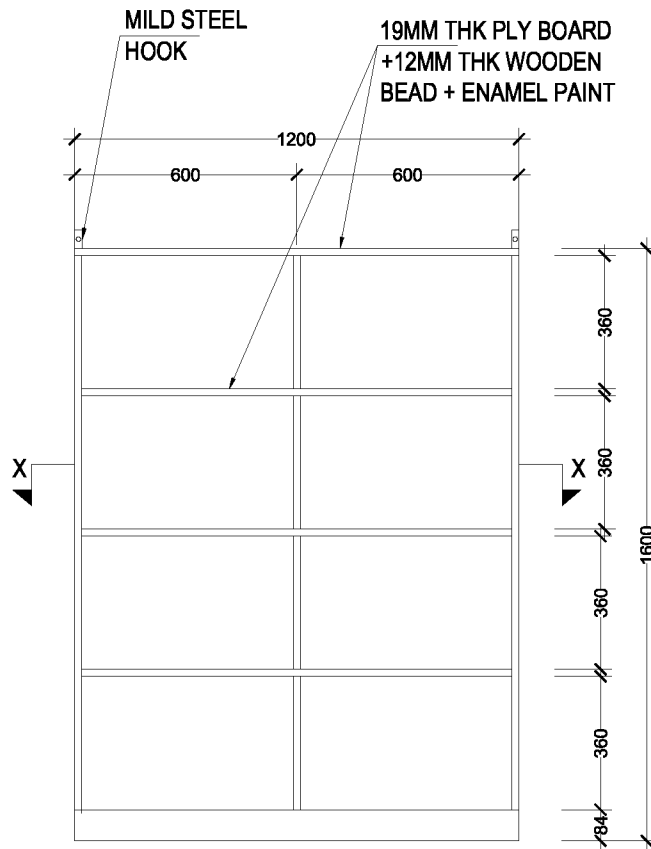
SECTIONAL PLAN X-X (FHC1)
NOS: 6



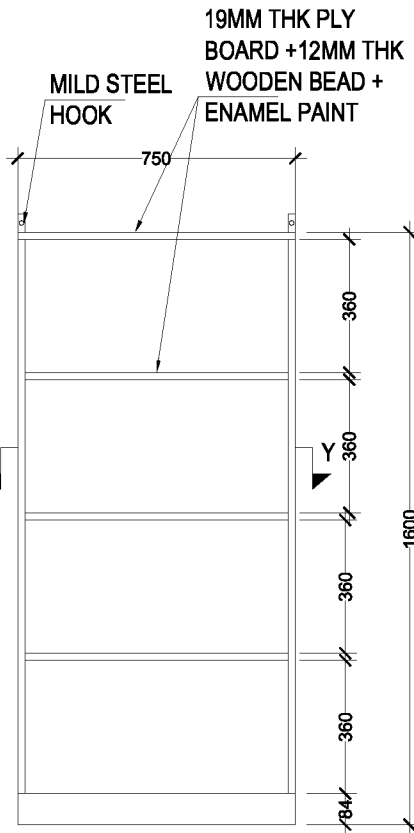
SECTIONAL PLAN Y-Y (FHC2)
NOS: 1



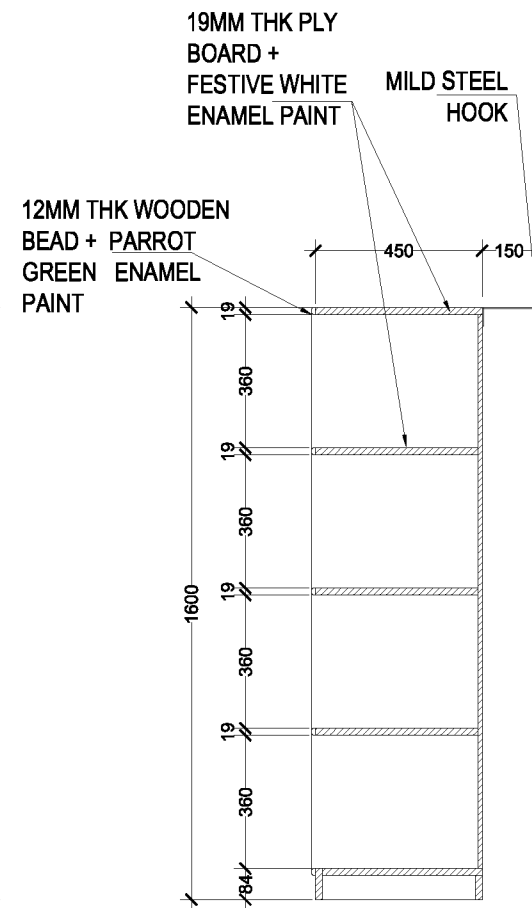
SECTIONAL PLAN Z-Z (FHC3)
NOS: 3



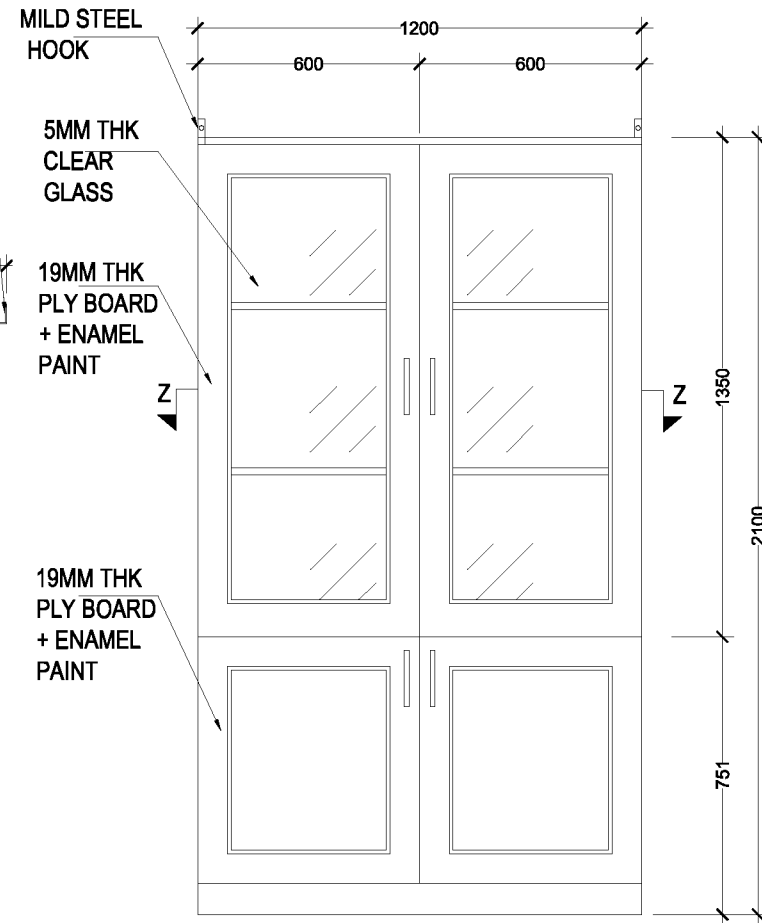
FRONT ELEVATION (FHC1)



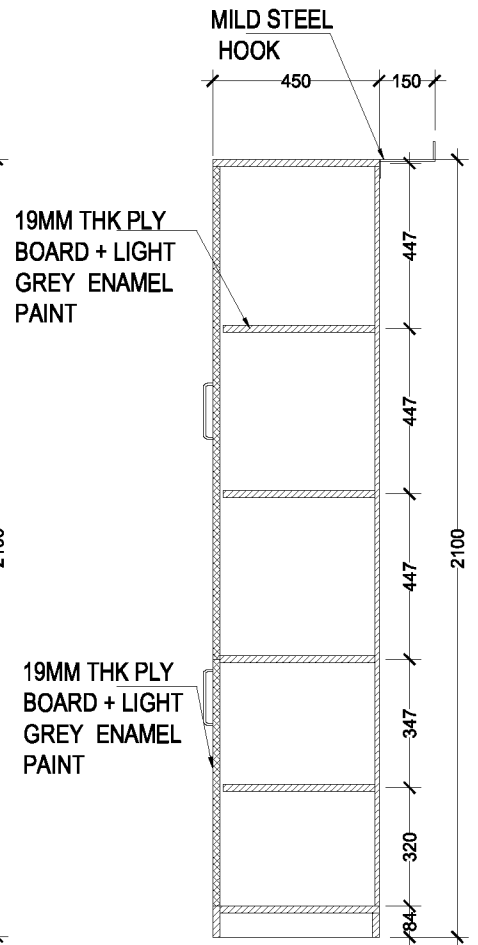
FRONT ELEVATION (FHC2)



TYPICAL SECTIONAL ELEVATION
(FHC1) & (FHC2)



FRONT ELEVATION (FHC3)



SECTIONAL ELEVATION B-B
(FHC3)

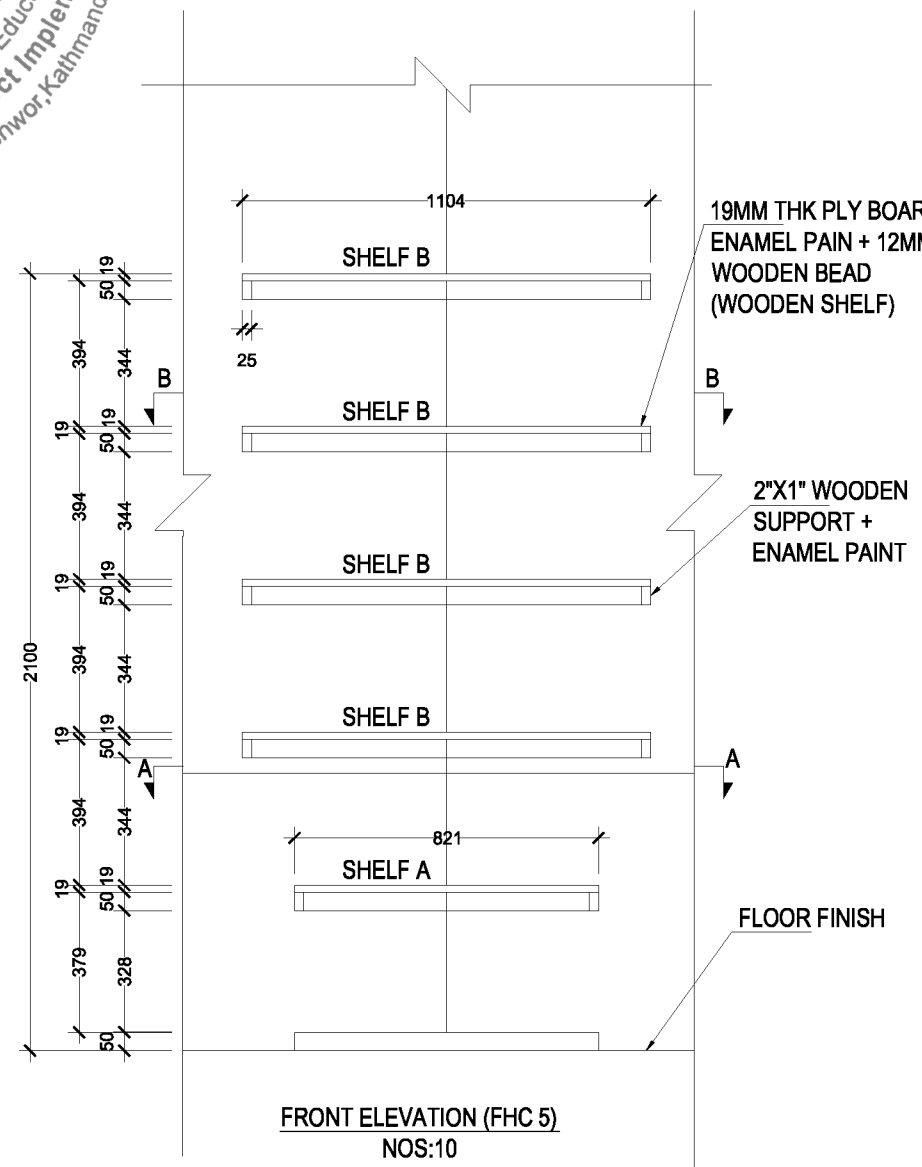
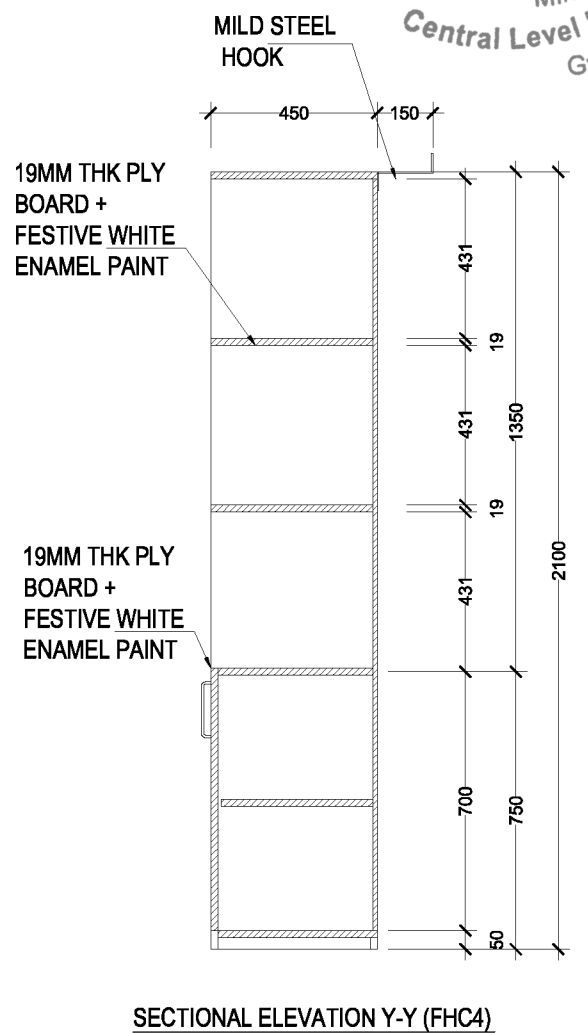
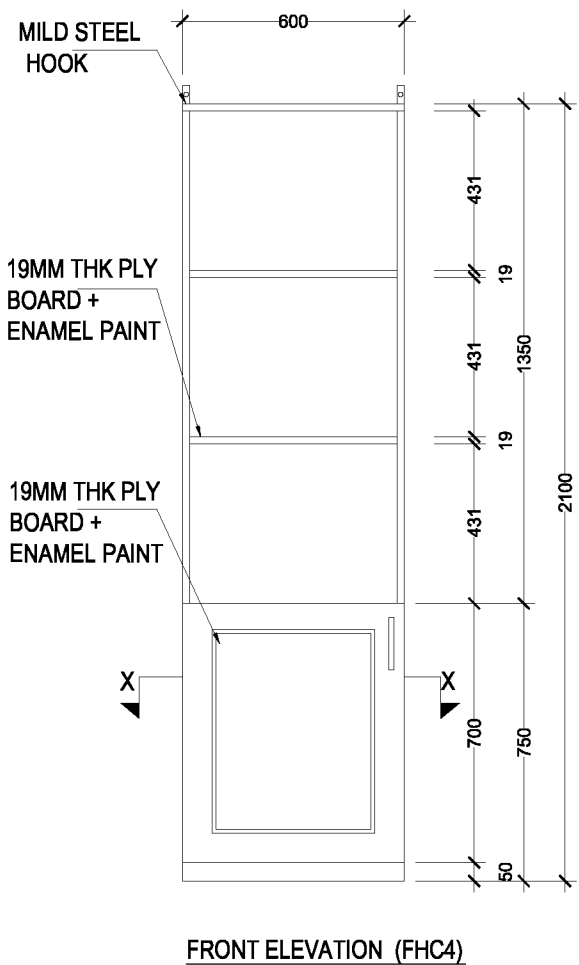
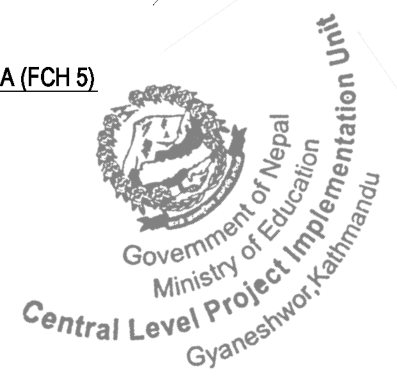
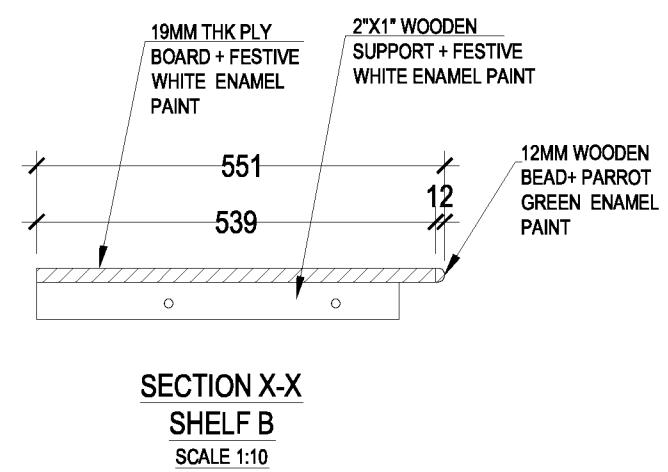
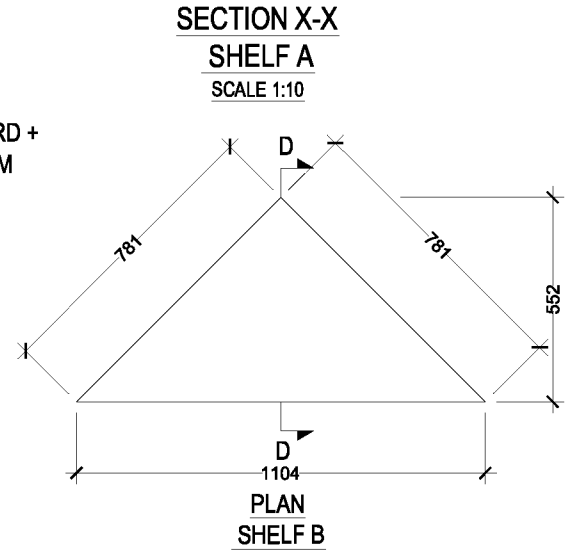
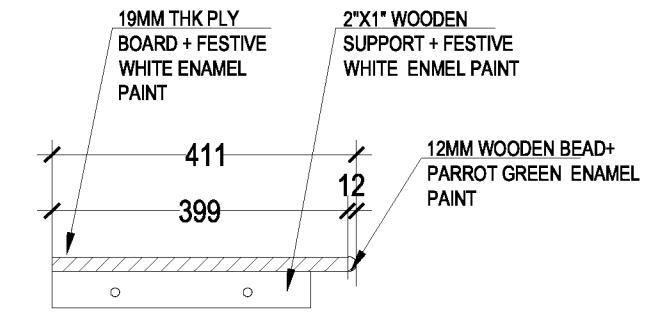
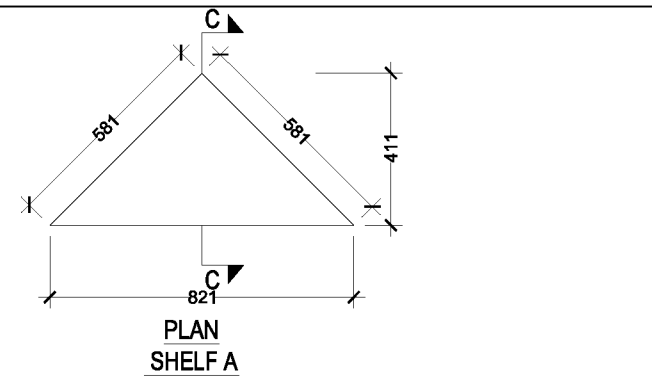
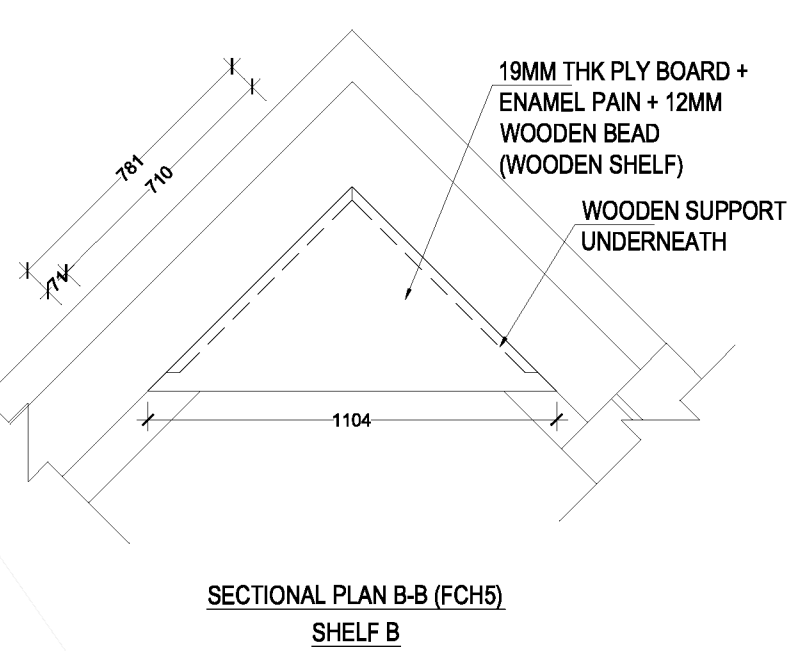
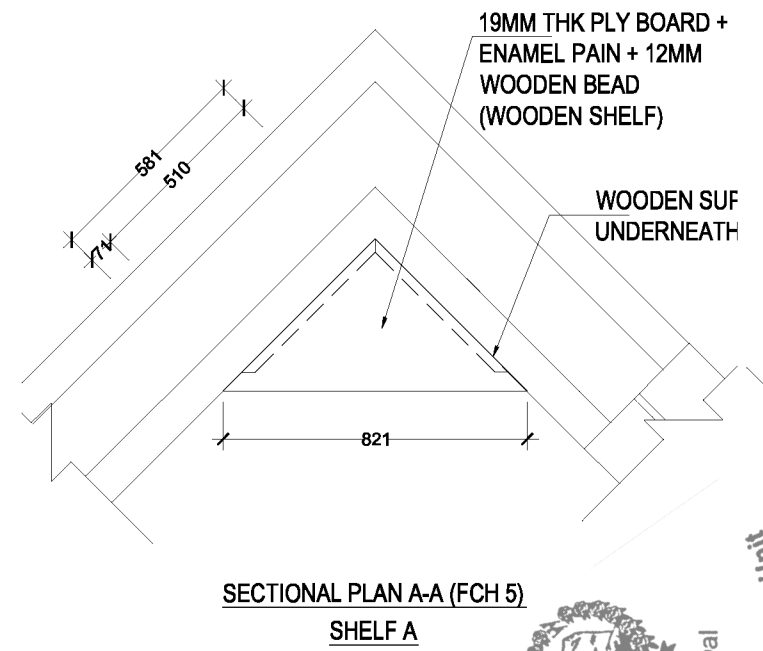
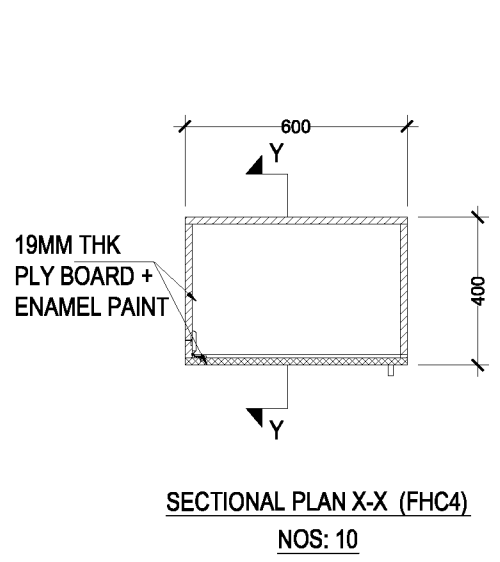
Client:-
Asian Development Bank
Resident Mission, Nepal

Project Title:-
Post-Earthquake School
Reconstruction Project (TA-8521-NEP)
Sheet title :- Furniture Detail : DT-PS2 (OPTIONS-2)

DATE : 23 - SEPTEMBER 2015
SCALE : 1:20
Architect: AR. UJJWAL M. SHAKYA

NOTE:-

DWG. NO.
I
04



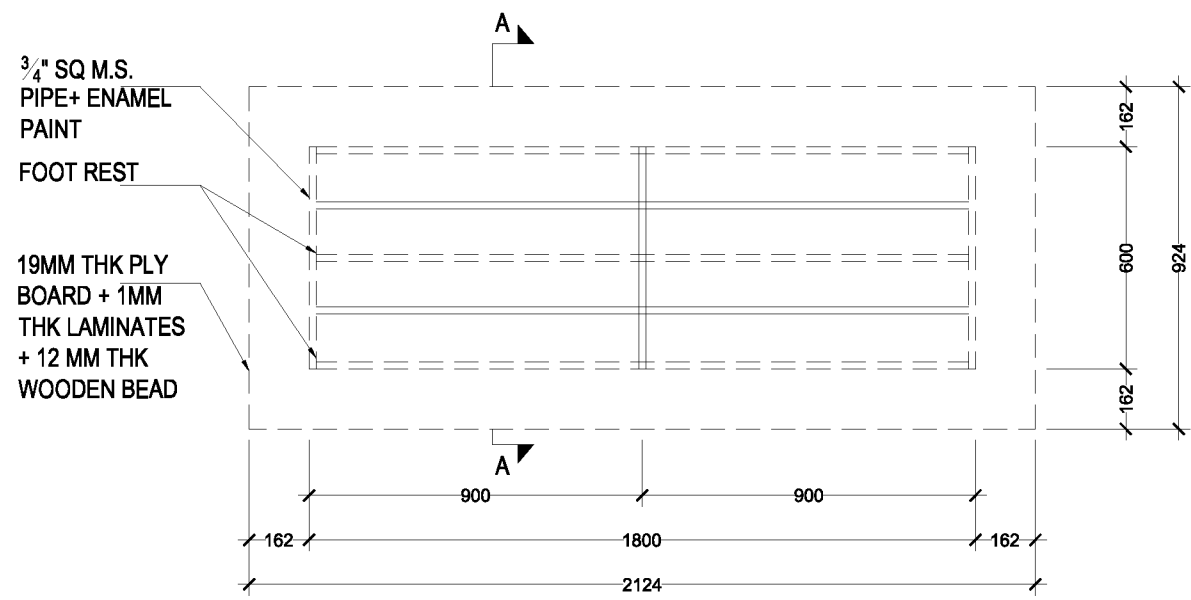
Client:-
Asian Development Bank
Resident Mission, Nepal

Project Title:-
Post-Earthquake School
Reconstruction Project (TA-8521-NEP)
Sheet title :- Furniture Detail : DT-PS2 (OPTIONS-2)

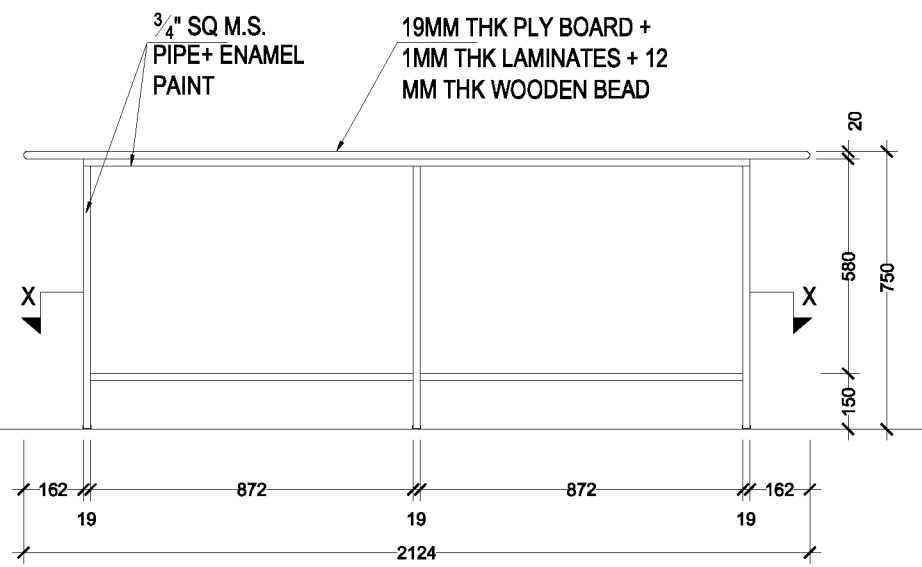
DATE : 23 - SEPTEMBER 2015
SCALE : 1:20
Architect: AR. UJJWAL M. SHAKYA

NOTE:-

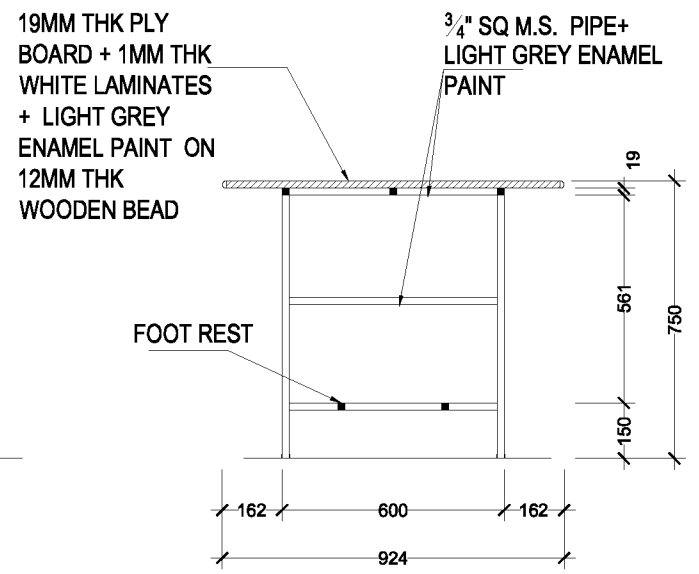
DWG. NO.
1
05



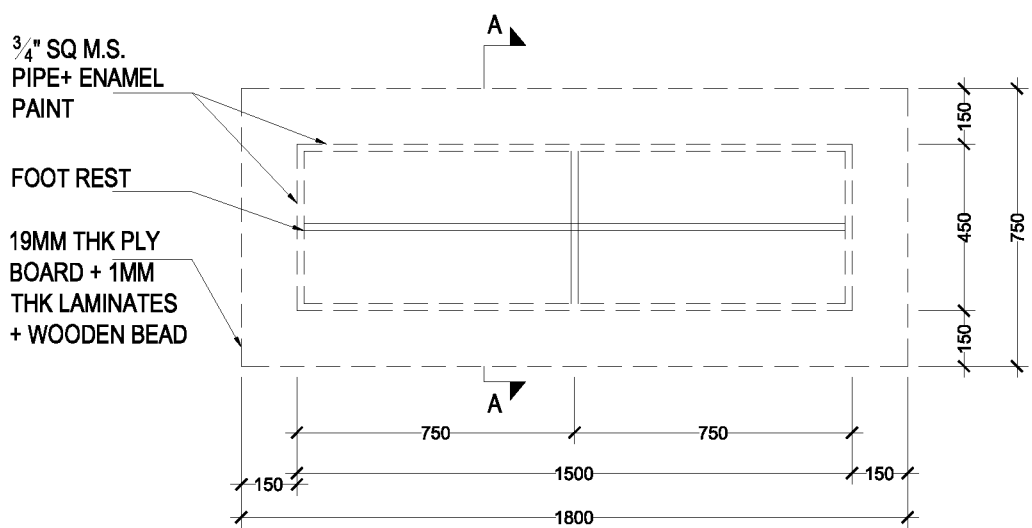
SECTIONAL PLAN X-X (MT)
NOS: 1



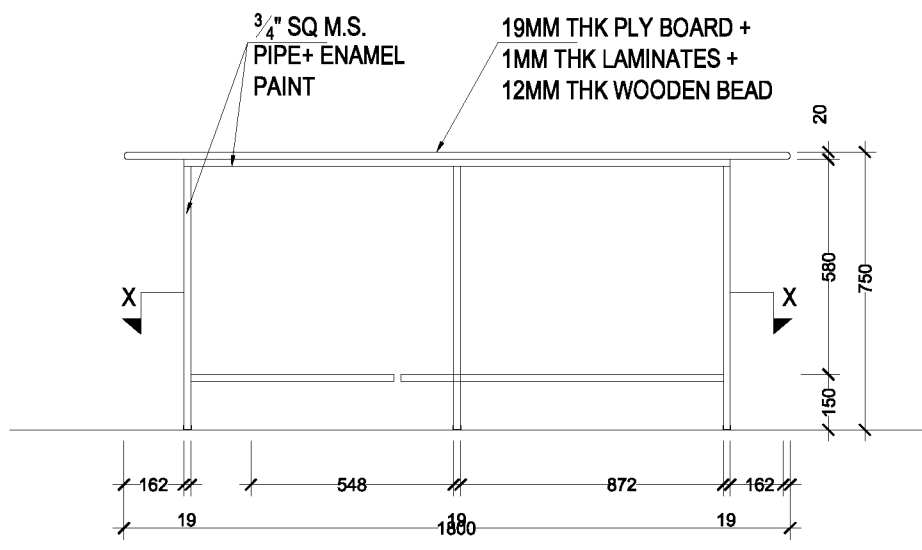
ELEVATION (MT)



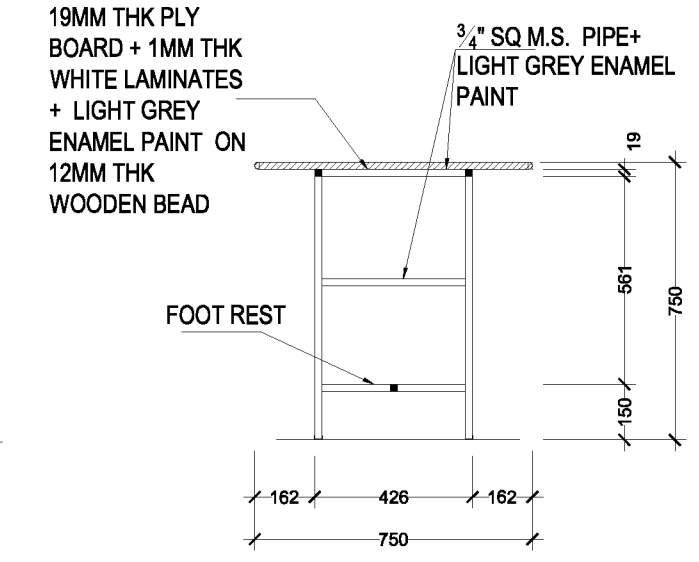
SECTIONAL ELEVATION A-A (MT)



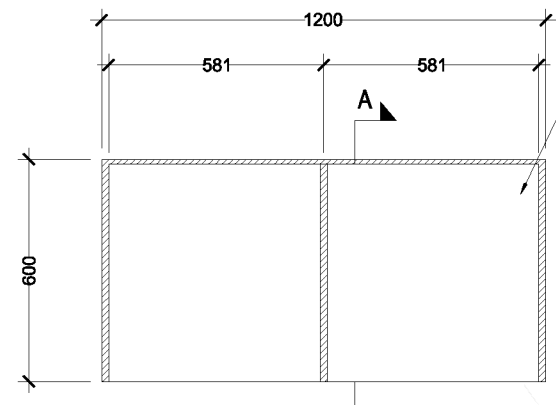
SECTIONAL PLAN X-X (DT)
NOS: 1



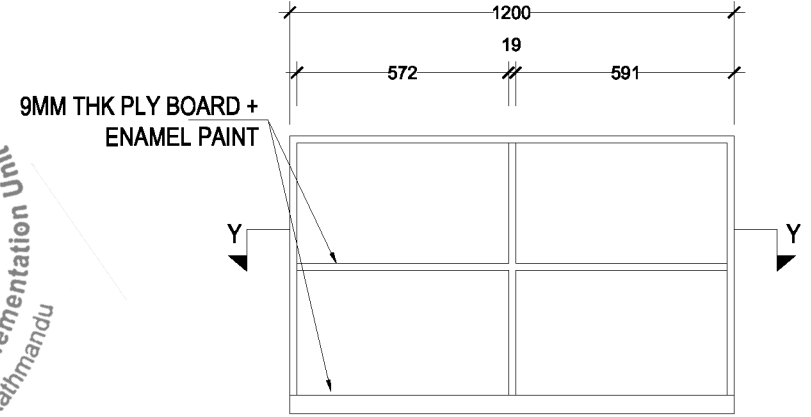
ELEVATION (DT)



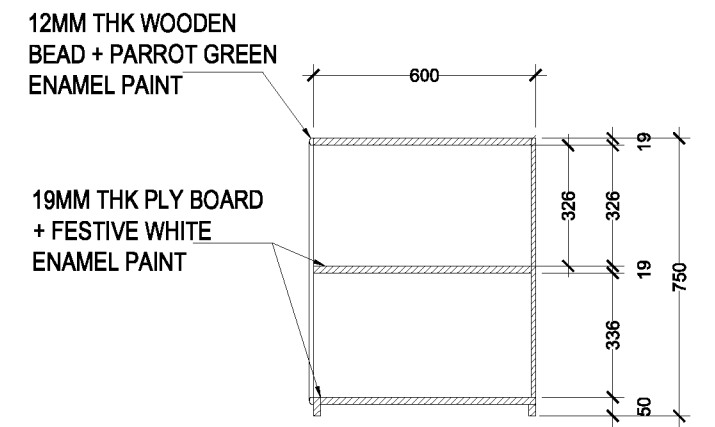
SECTIONAL ELEVATION A-A (DT)



SECTIONAL PLAN Y-Y (LHC1)
NOS: 5



FRONT ELEVATION (LHC1)



SECTIONAL ELEVATION A-A (LHC1)



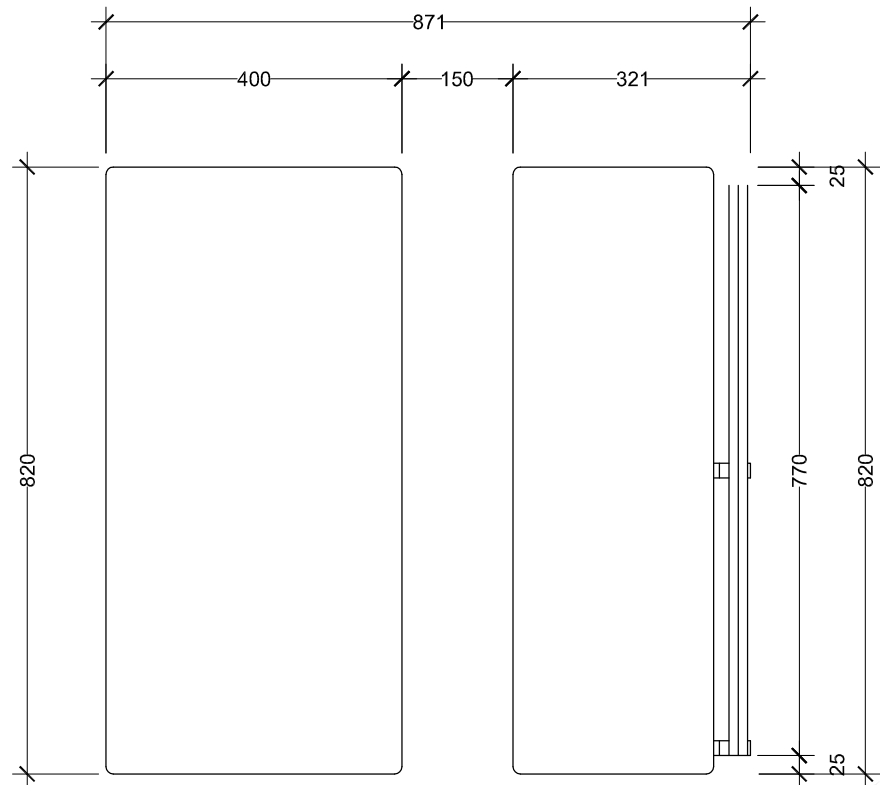
Client:-
Asian Development Bank
Resident Mission, Nepal

Project Title:-
Post-Earthquake School
Reconstruction Project (TA-8521-NEP)
Sheet title :- Furniture Detail : DT-PS2 (OPTIONS-2)

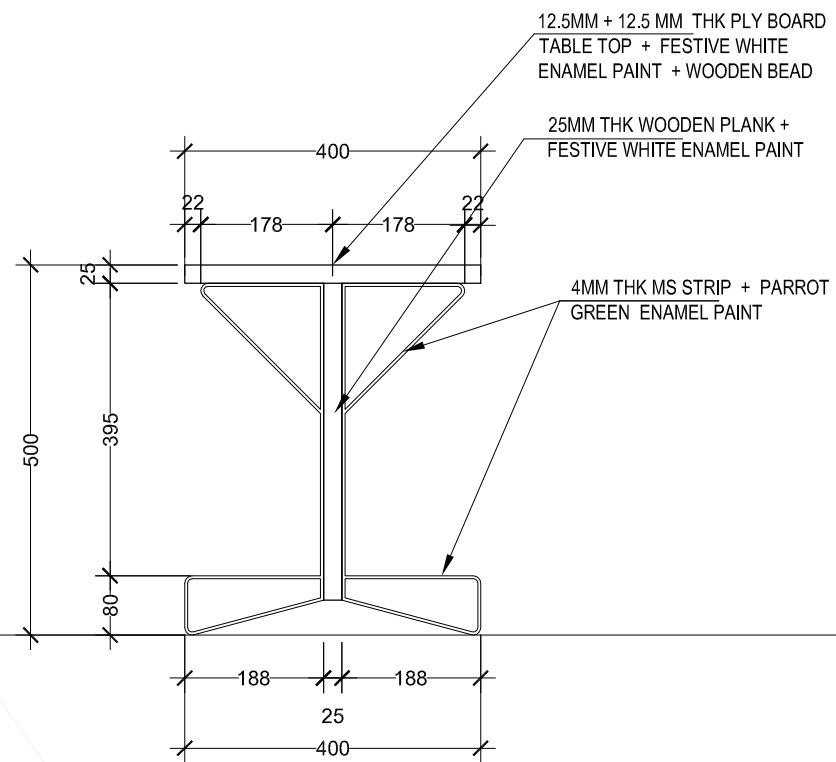
DATE : 23 - SEPTEMBER 2015
SCALE: 1:20
Architect: AR. UJJWAL M. SHAKYA

NOTE:-

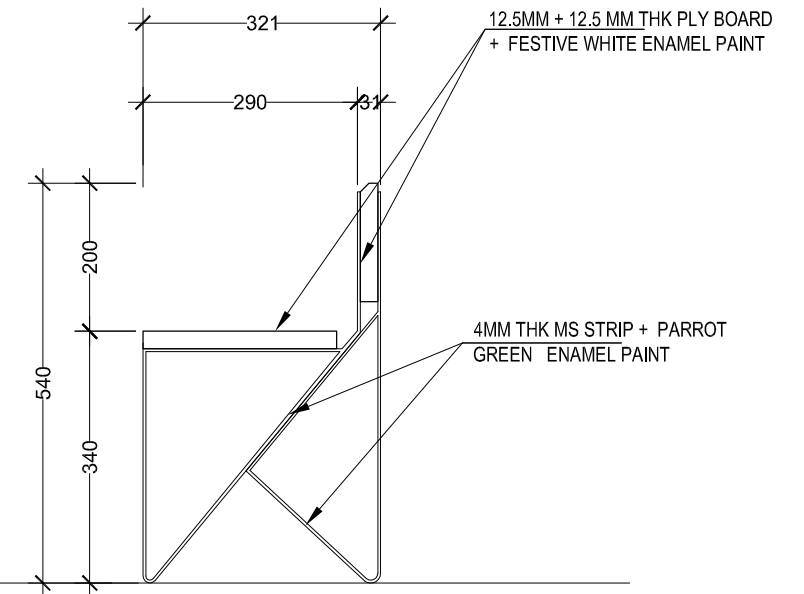
DWG. NO.
1
06



TOP PLAN DESK AND BENCH



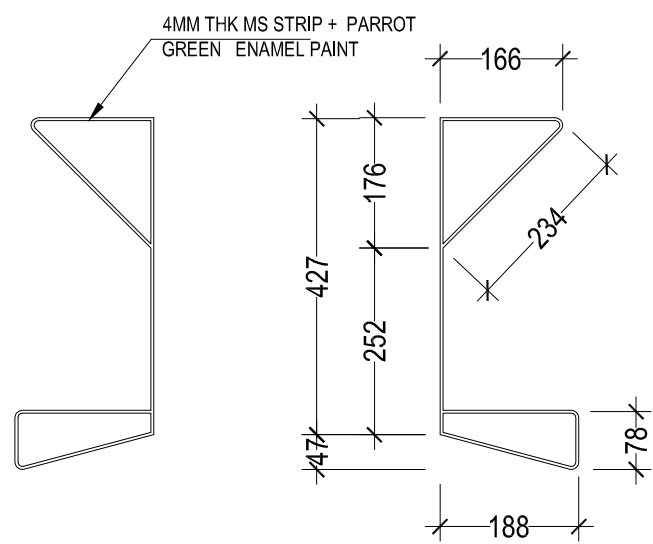
ELEVATION OF DESK



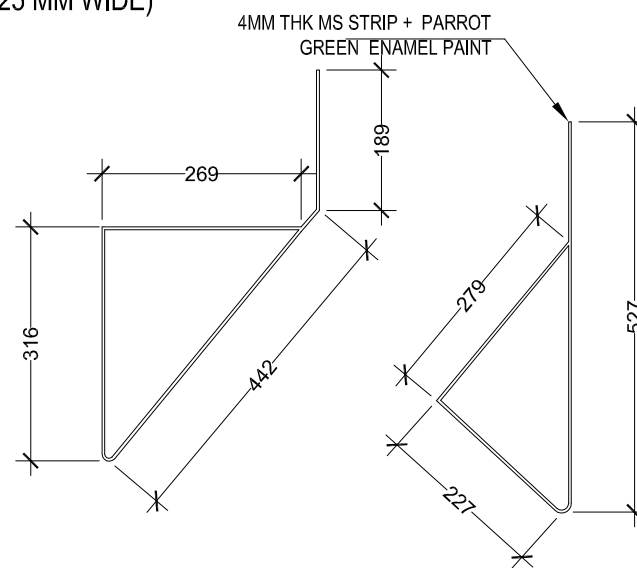
ELEVATION OF BENCH

SUPPORT DETAILS

MS SIDE FRAMES
(4MM THK X 25 MM WIDE)

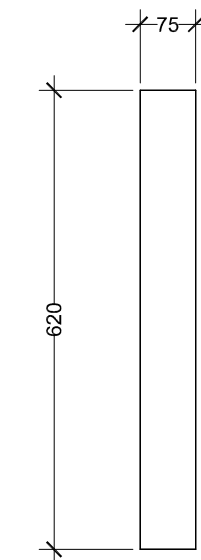


FOR DESK

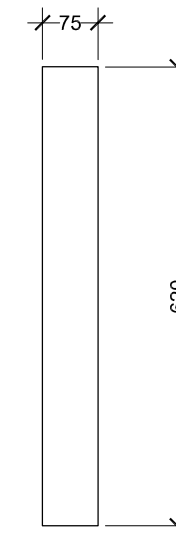


FOR BENCH

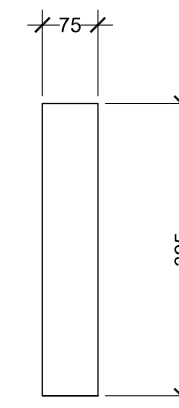
FOR DESK



TOP REST
(25MM TH K WOODEN PLANK)

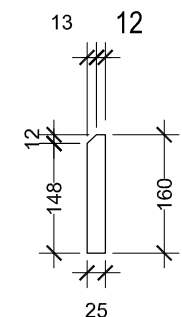


FOOT REST
(25MM TH K WOODEN PLANK)



SIDE SUPPORT
(25MM TH K WOODEN PLANK)

FOR BENCH



BACK REST
(12MM + 12MM THK PLY BOARD)

Client:-
Asian Development Bank
 Resident Mission, Nepal

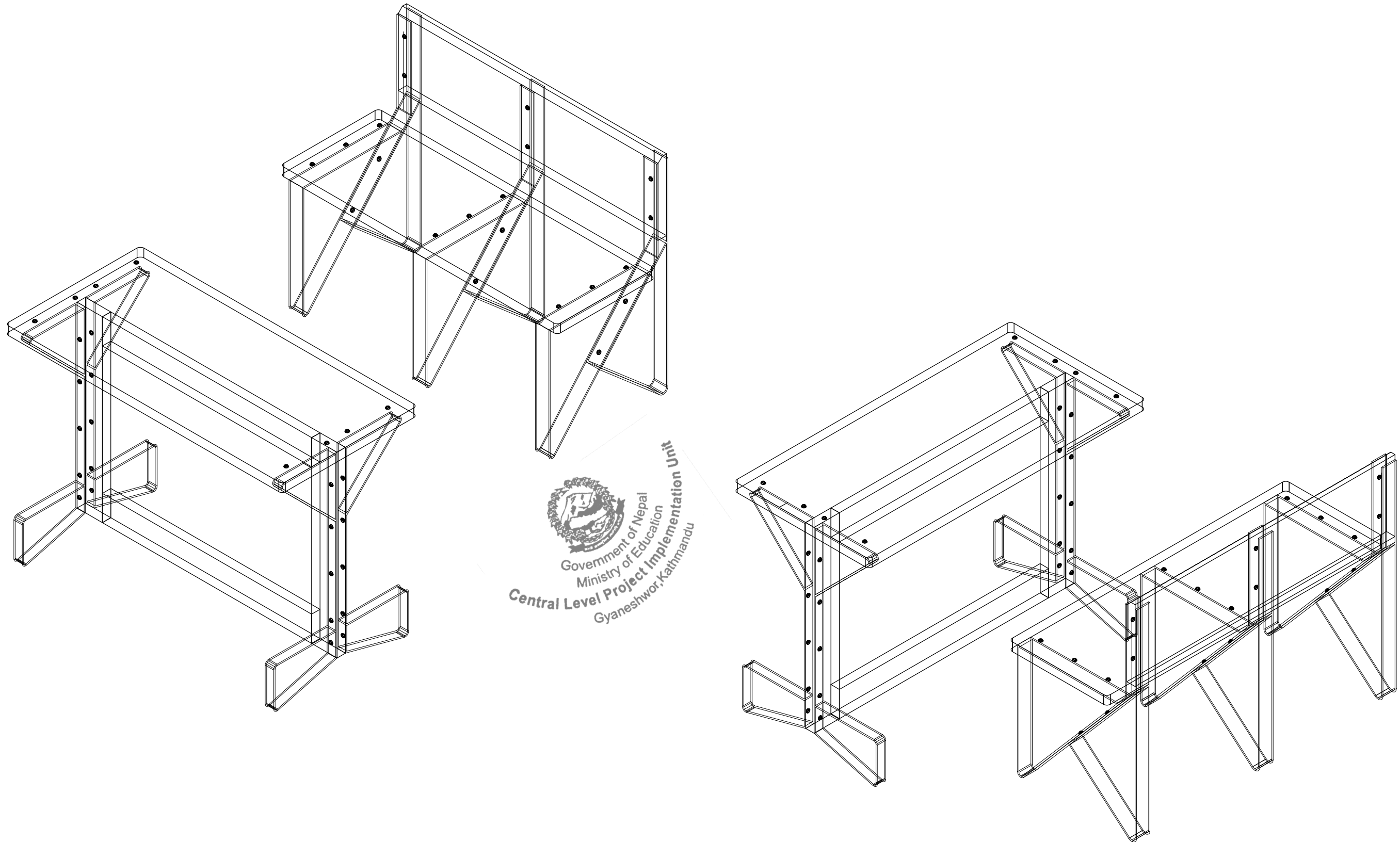
Project Title:-
 Post-Earthquake School
 Reconstruction Project (TA-8521-NEP)
 Sheet title :- Furniture Detail : DT-PS2 (OPTIONS-2)

DATE : 23 - SEPTEMBER 2015
 SCALE: 1:10
 Architect: AR. UJJWAL M. SHAKYA

NOTE:-

DWG. NO.

I
 07



ISOMETRICE VEW

Client:-
Asian Development Bank
 Resident Mission, Nepal

Project Title:-
 Post-Earthquake School
 Reconstruction Project (TA-8521-NEP)
 Sheet title :- Furniture Detail : DT-PS2 (OPTIONS-2)

DATE : 23 - SEPTEMBER 2015
 SCALE: 1:10
 Architect: AR. UJJWAL M. SHAKYA

NOTE:-

DWG. NO.

I
 08