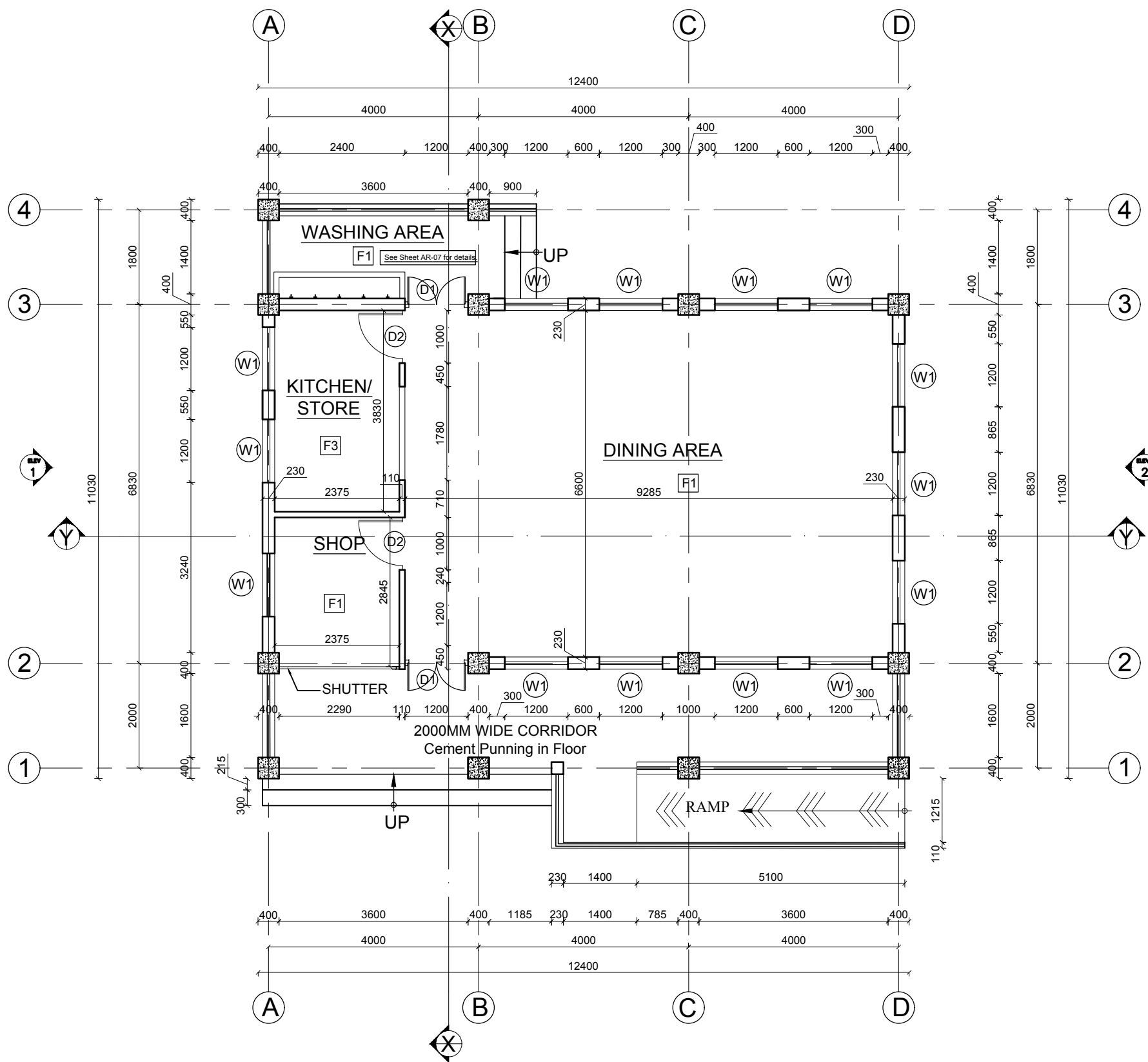


DISASTER RESILIENCE OF PUBLIC SCHOOL  
INFRASTRUCTURE AND COMMUNITY (DR-PSIC)

**CANTEEN BLOCK**

**1-CB**



**ARCHITECTURAL DRAWINGS**

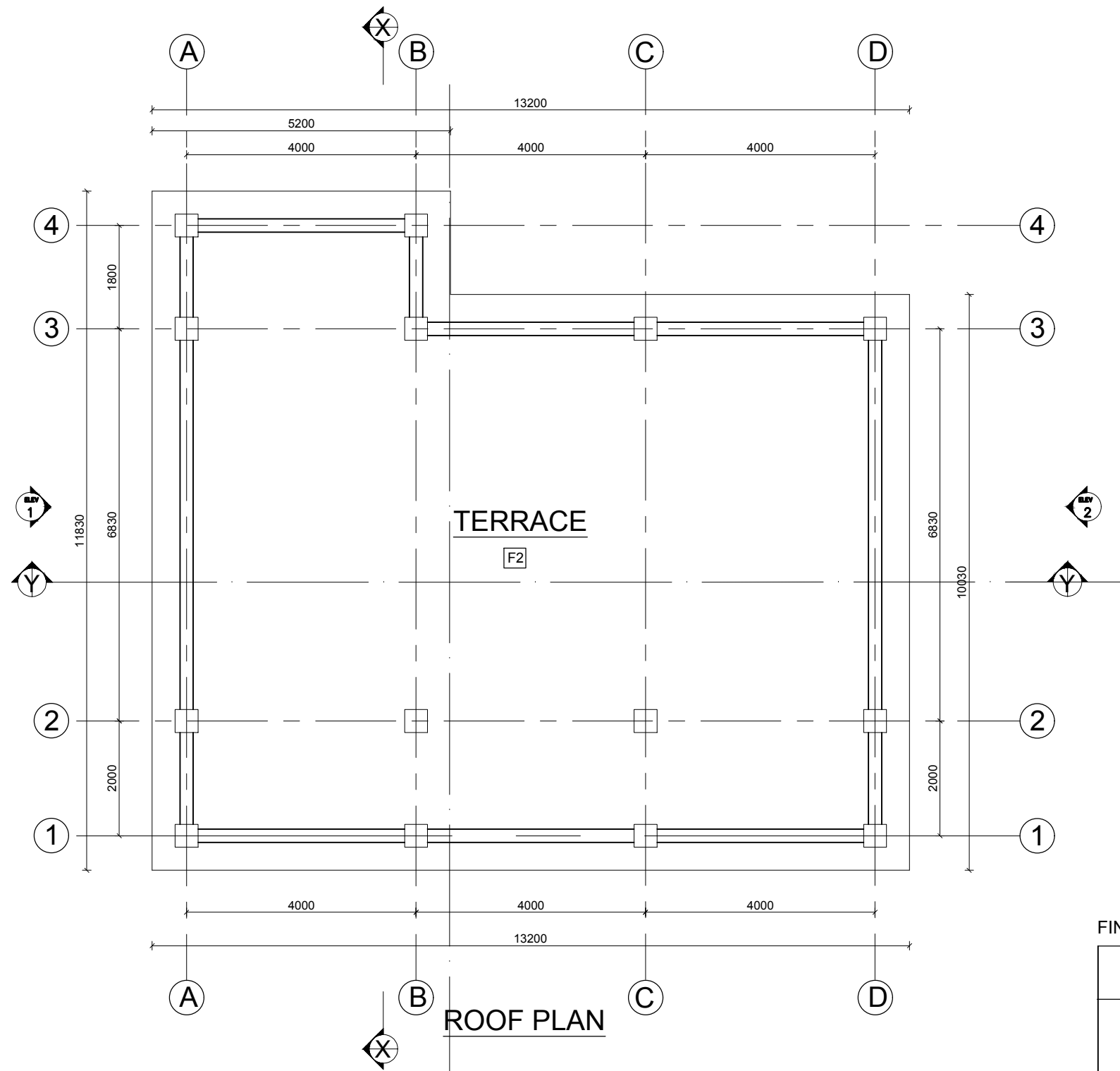


**CANTEEN BLOCK**  
AREA: 118.44 SQ. M.

**FINISHING DETAILS:**


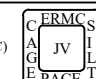
F1	38 mm PCC (1:2:4) with 1:1 cement punning with floor hardener (Dreitop FH, mapetop, Sika Chapdur or equivalent)
F2	50 mm PCC (1:2:4) with 1:1 cement punning with floor hardener (Dreitop FH, mapetop, Sika Chapdur or equivalent) and water proffing (safe-crete or equivalent)
F3	Non-glazed Tile finish with 1:4 cement sand mortar

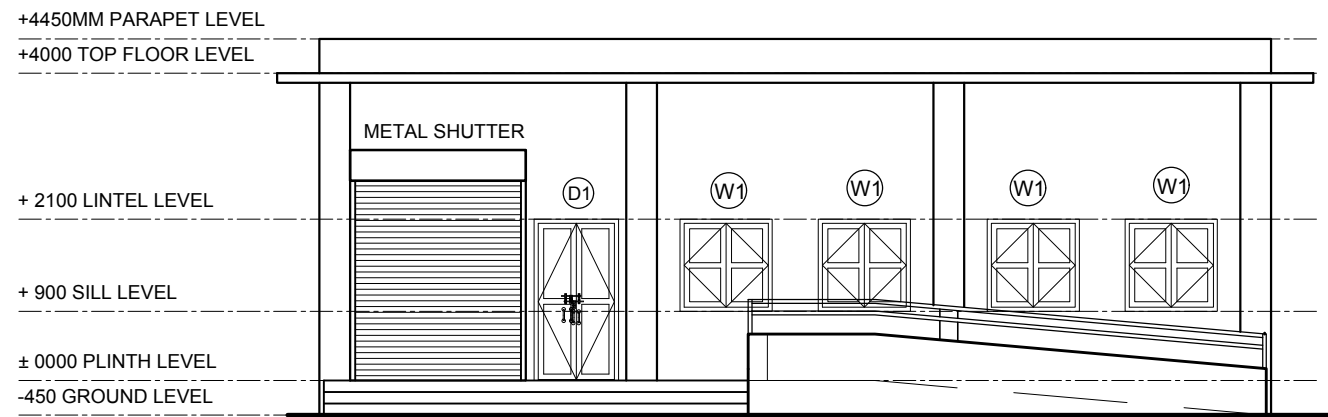
 CLIENT Government of Nepal National Reconstruction Authority Central Level Project Implementation Unit - Education	PROJECT TITLE Disaster Resilience of Public School Infrastructure and Community (DR-PSIC)	SHEET TITLE GROUND FLOOR PLAN	CONSULTANT DESIGN & SUPERVISION CONSULTANT(DSC)	PLANNING DESIGN TEAM		SHEET NO. AR-01
				ENGINEER: Er. Salin Shrestha ARCHITECT: Ar. Sudeep Shakyia DRAWN : Ar.Srishti Paudel	REVISION: 1 CHECKED: APPROVED:	
					SCALE : 1:100    PAPER SIZE : A3    DATE: May 2018	



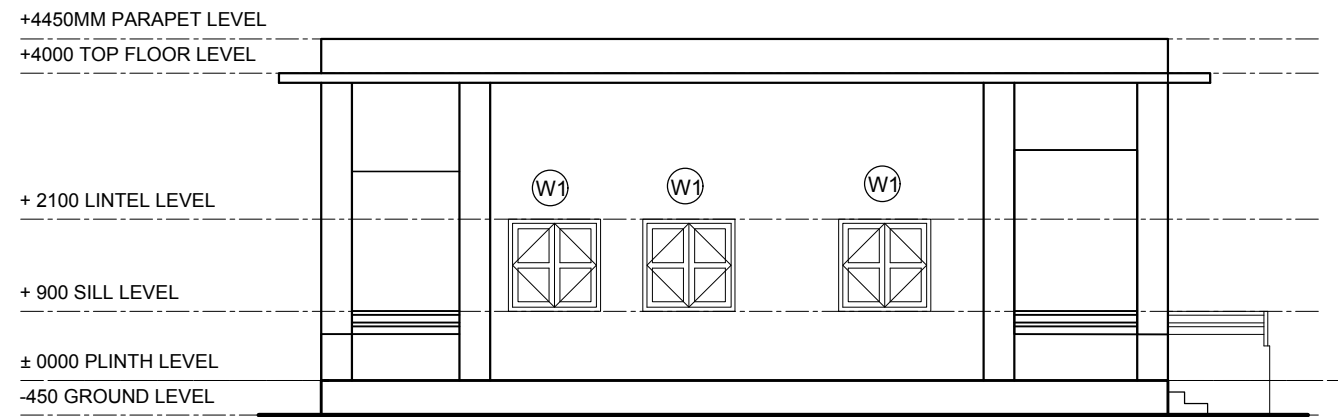
**FINISHING DETAILS:**

F1	38 mm PCC (1:2:4) with 1:1 cement punning with floor hardener (Dreitop FH, mapetop, Sika Chapdur or equivalent)
F2	50 mm PCC (1:2:4) with 1:1 cement punning with floor hardener (Dreitop FH, mapetop, Sika Chapdur or equivalent) and water proffing (safe-crete or equivalent)
F3	Non-glazed Tile finish with 1:4 cement sand mortar

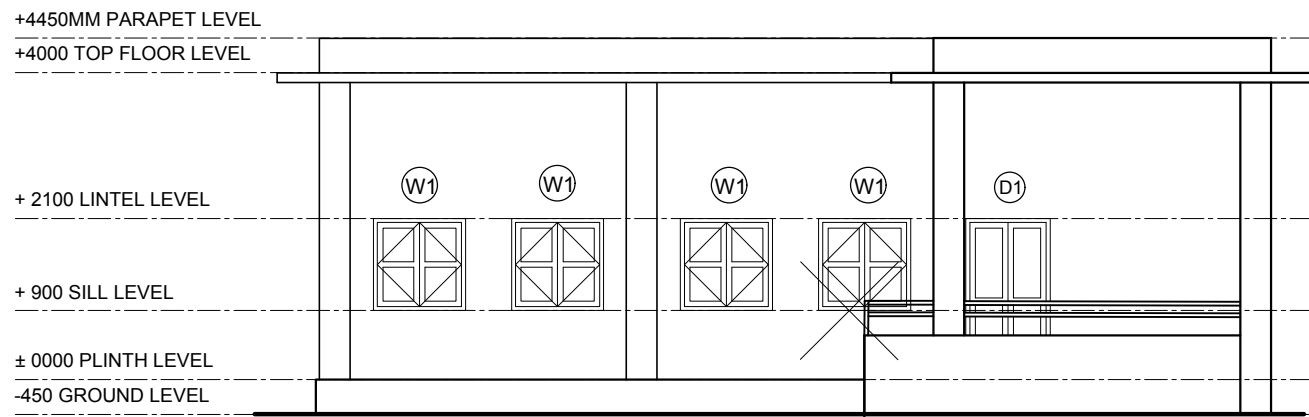
 Government of Nepal National Reconstruction Authority Central Level Project Implementation Unit - Education	PROJECT TITLE <b>Disaster Resilience of Public School          Infrastructure and Community (DR-PSIC)</b>	SHEET TITLE <b>ROOF PLAN</b>	CONSULTANT DESIGN & SUPERVISION CONSULTANT(DSC)	PLANNING DESIGN TEAM		SHEET NO. AR-02
				ENGINEER: Er. Salin Shrestha ARCHITECT: Ar. Sudeep Shakya DRAWN : Ar.Srishti Paudel	REVISION: 1 CHECKED: APPROVED:	
				SCALE : 1:100	PAPER SIZE : A3	DATE: May 2018



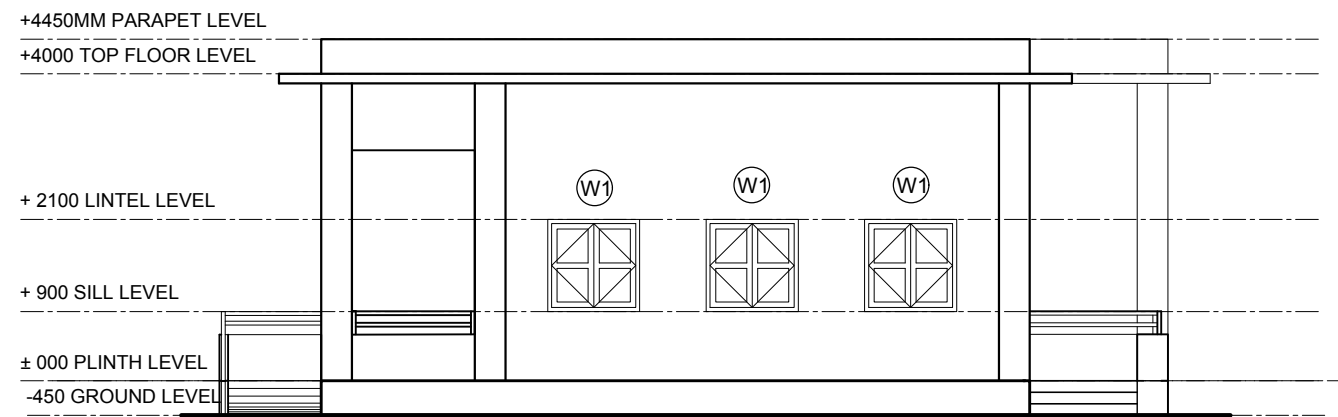
FRONT ELEVATION




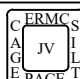
SIDE ELEVATION-1

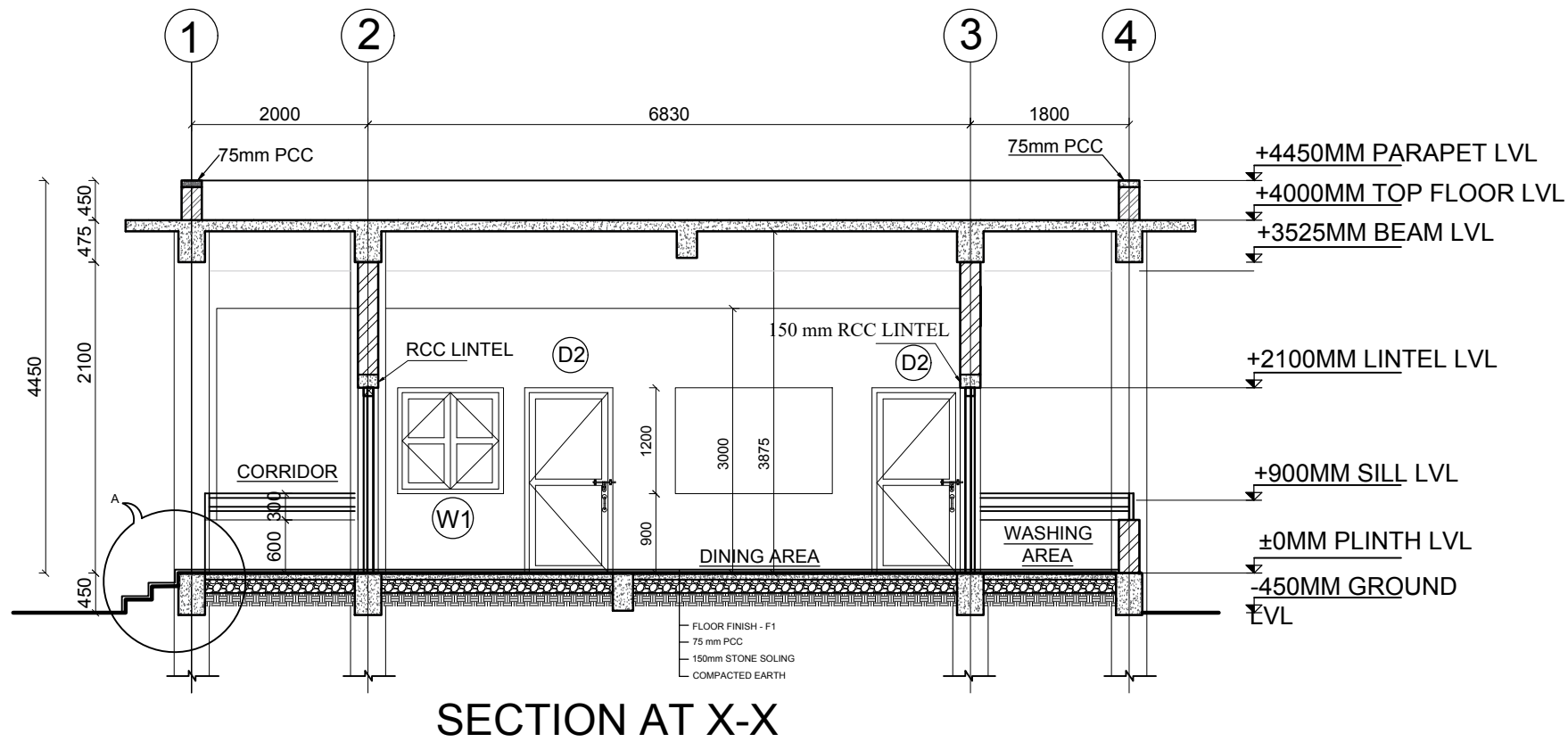
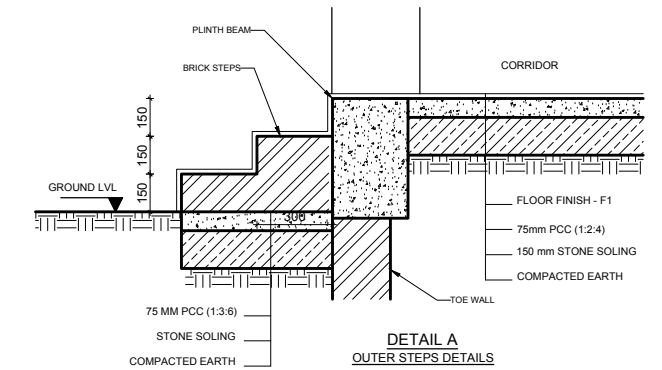
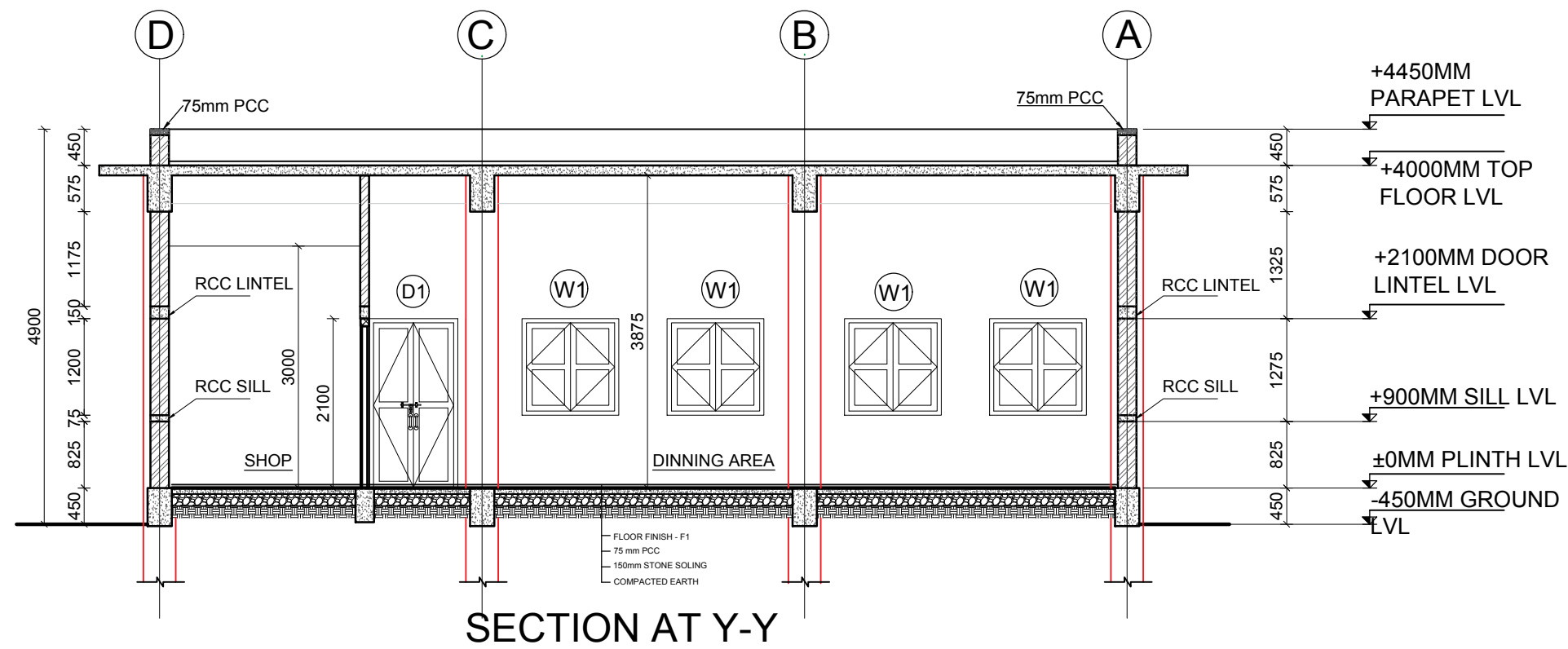


BACK ELEVATION



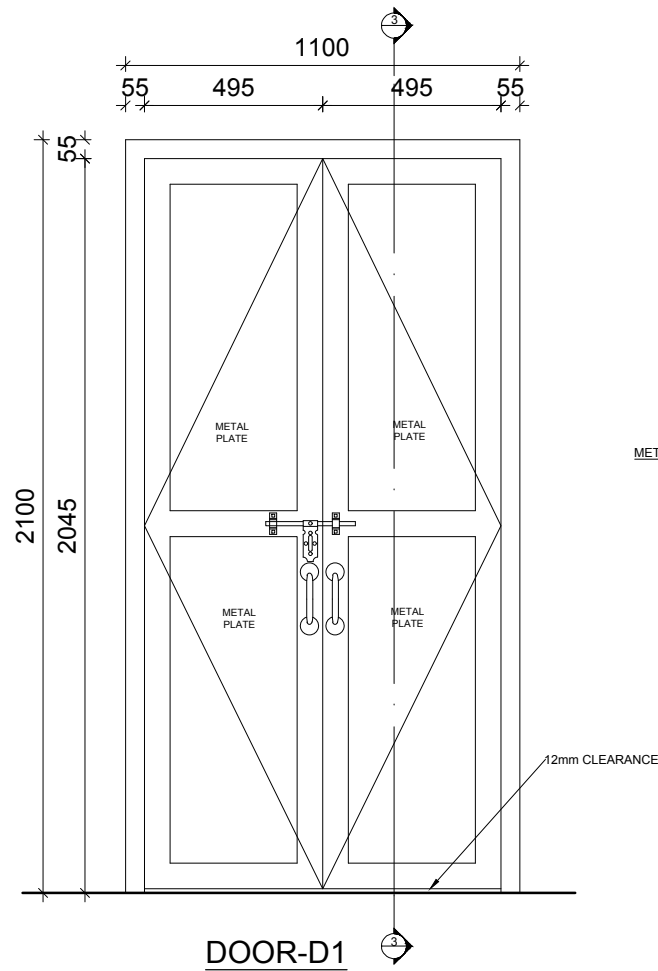
SIDE ELEVATION-2

<p>CLIENT</p>  <p>Government of Nepal National Reconstruction Authority Central Level Project Implementation Unit - Education</p>	<p>PROJECT TITLE</p> <p><b>Disaster Resilience of Public School Infrastructure and Community (DR-PSIC)</b></p>	<p>SHEET TITLE</p> <p>ELEVATIONS</p>	<p>CONSULTANT</p> <p>DESIGN &amp; SUPERVISION CONSULTANT(DSC)</p> 	<p>PLANNING DESIGN TEAM</p> <table border="1"> <tr> <td>ENGINEER: Er. Salin Shrestha</td> <td>REVISION: 1</td> </tr> <tr> <td>ARCHITECT: Ar. Sudeep Shakya</td> <td>CHECKED:</td> </tr> <tr> <td>DRAWN : Ar.Srishti Paudel</td> <td>APPROVED:</td> </tr> <tr> <td>SCALE : 1:100</td> <td>PAPER SIZE : A3</td> </tr> <tr> <td colspan="2">DATE: May 2018</td> </tr> </table>	ENGINEER: Er. Salin Shrestha	REVISION: 1	ARCHITECT: Ar. Sudeep Shakya	CHECKED:	DRAWN : Ar.Srishti Paudel	APPROVED:	SCALE : 1:100	PAPER SIZE : A3	DATE: May 2018		<p>SHEET NO. AR-03</p> <p>DWG NO: 1-CB</p>
ENGINEER: Er. Salin Shrestha	REVISION: 1														
ARCHITECT: Ar. Sudeep Shakya	CHECKED:														
DRAWN : Ar.Srishti Paudel	APPROVED:														
SCALE : 1:100	PAPER SIZE : A3														
DATE: May 2018															

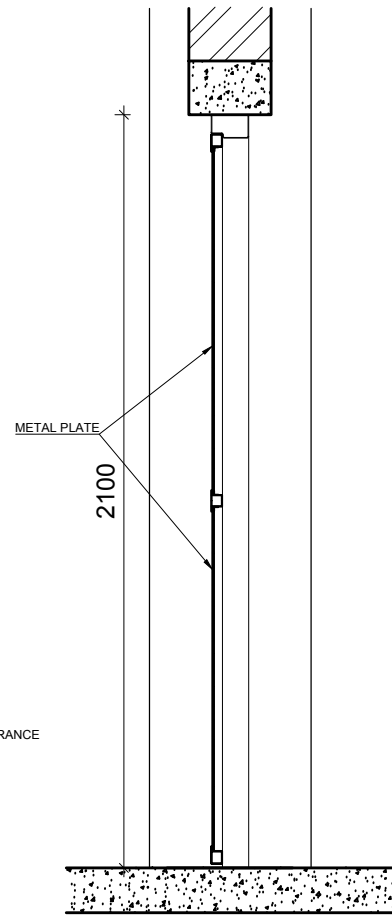


COLOR DETAILS		
DESCRIPTION	COLOR	TYPE
A. WALL		
Interior	Cream or Ivory	Distemper
Exterior	Light Yellow	Weather Coat
B. CEILING		
Interior	White	Distemper
Exterior	White	Weather Coat
C. PROJECTION	Grey	Weather Coat
D. DOORS & WINDOWS	Dark Brown	Powder Coated
E. PLINTH BAND	Grey	Weather Coat

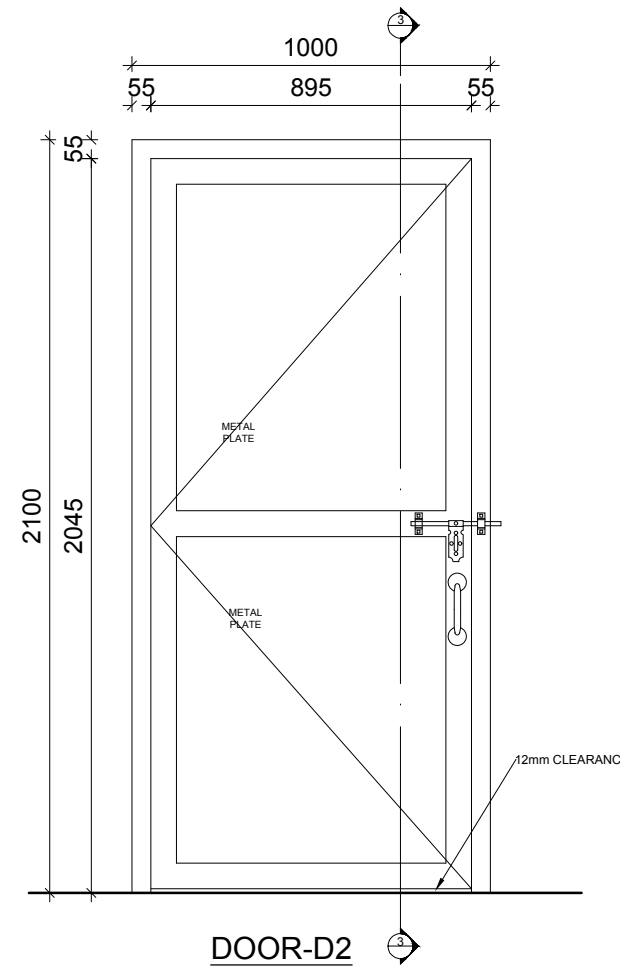
CLIENT	PROJECT TITLE	SHEET TITLE	CONSULTANT	PLANNING DESIGN TEAM	SHEET NO. AR-04
Government of Nepal National Reconstruction Authority Central Level Project Implementation Unit - Education	<b>Disaster Resilience of Public School          Infrastructure and Community (DR-PSIC)</b>	SECTIONS	DESIGN & SUPERVISION CONSULTANT(DSC)	ENGINEER: Er. Salin Shrestha ARCHITECT: Ar. Sudeep Shakya DRAWN : Ar.Srishti Paudel	REVISION: 1 CHECKED: APPROVED:
					SCALE : 1:100 PAPER SIZE : A3 DATE: May 2018



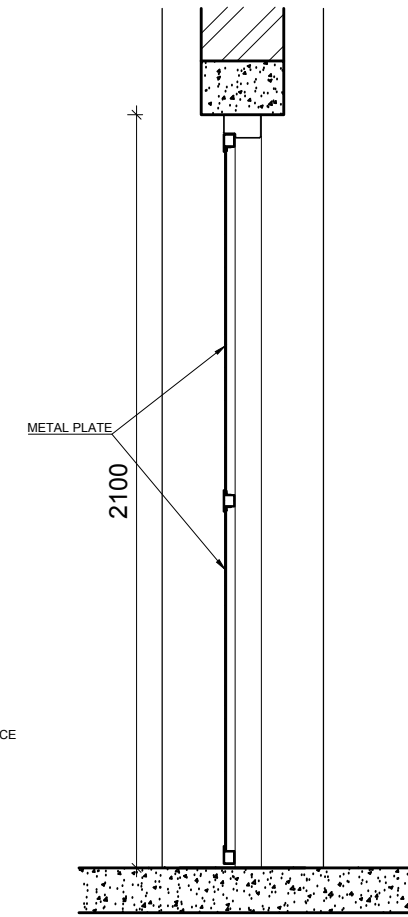
**DOOR-D1**



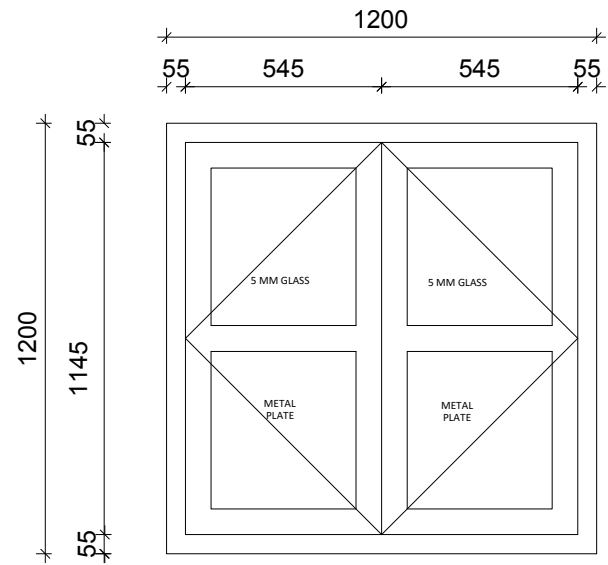
**SECTION AT 3-3**



**DOOR-D2**



**SECTION AT 3-3**



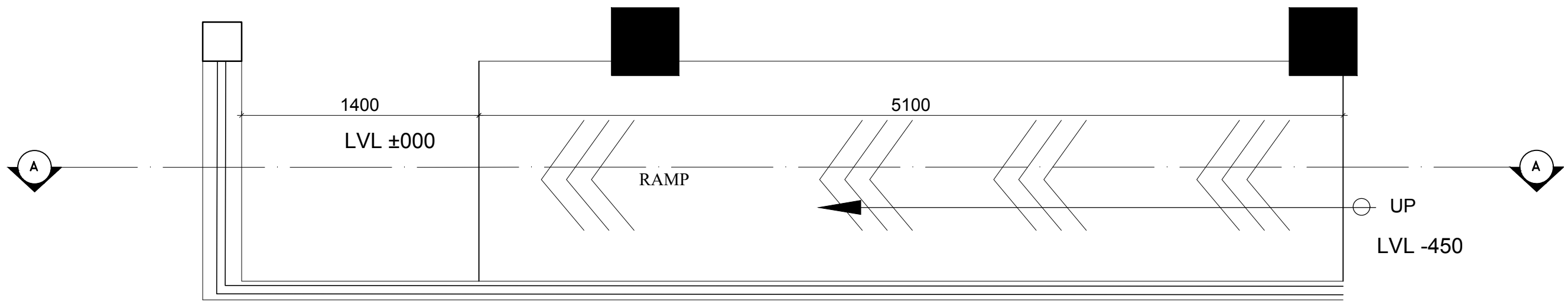
**WINDOW-W1**

**OPENING SCHEDULE**

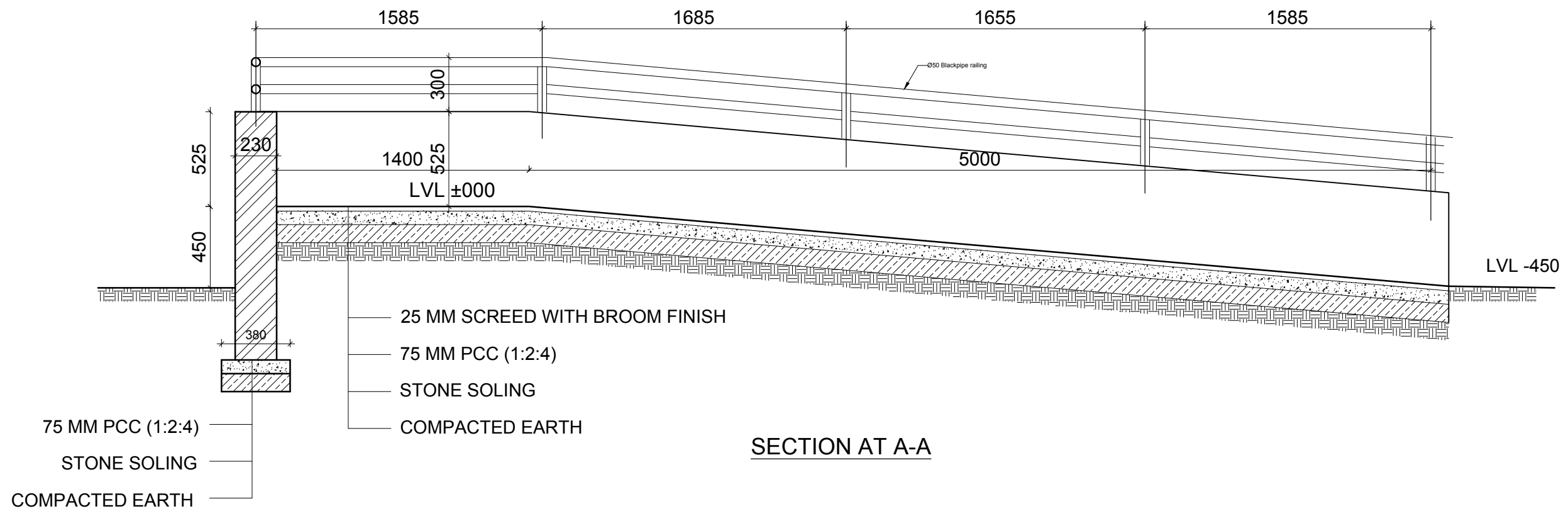
SN	SYMBOL	SIZE	NUMBER	REMARKS
1	D1	1100 X 2100	2	Powder Coated Door
2	D2	1000 X 2100	2	Powder Coated Door
3	W1	1200 X 1200	14	Powder Coated Window with grill

 Government of Nepal National Reconstruction Authority Central Level Project Implementation Unit - Education	<b>PROJECT TITLE</b> Disaster Resilience of Public School Infrastructure and Community (DR-PSIC)	<b>SHEET TITLE</b> DOOR AND WINDOW SCHEDULE	<b>CONSULTANT</b> DESIGN & SUPERVISION CONSULTANT(DSC)	<b>PLANNING DESIGN TEAM</b>		SHEET NO. AR-05
				ENGINEER: Er. Salin Shrestha ARCHITECT: Ar. Sudeep Shukya DRAWN : Ar.Srishti Paudel	REVISION: 1 CHECKED: APPROVED:	DWG NO: 1-CB
				SCALE :	PAPER SIZE : A3	DATE: May 2018





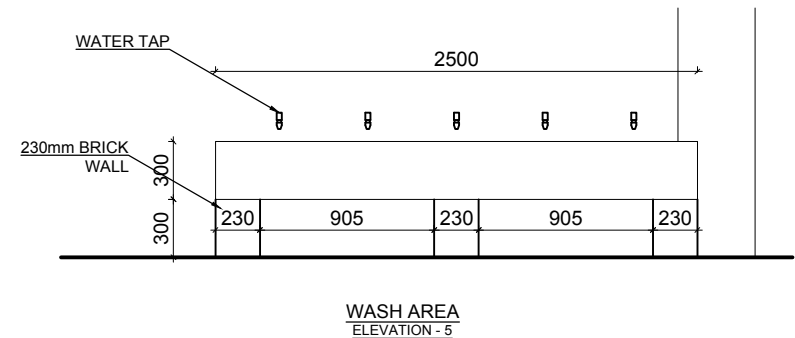
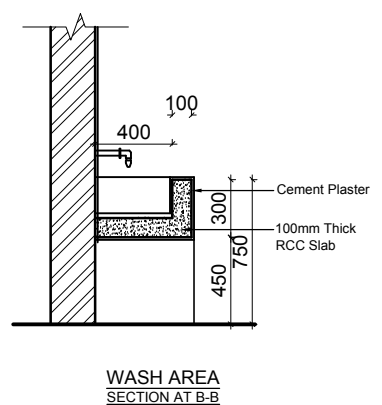
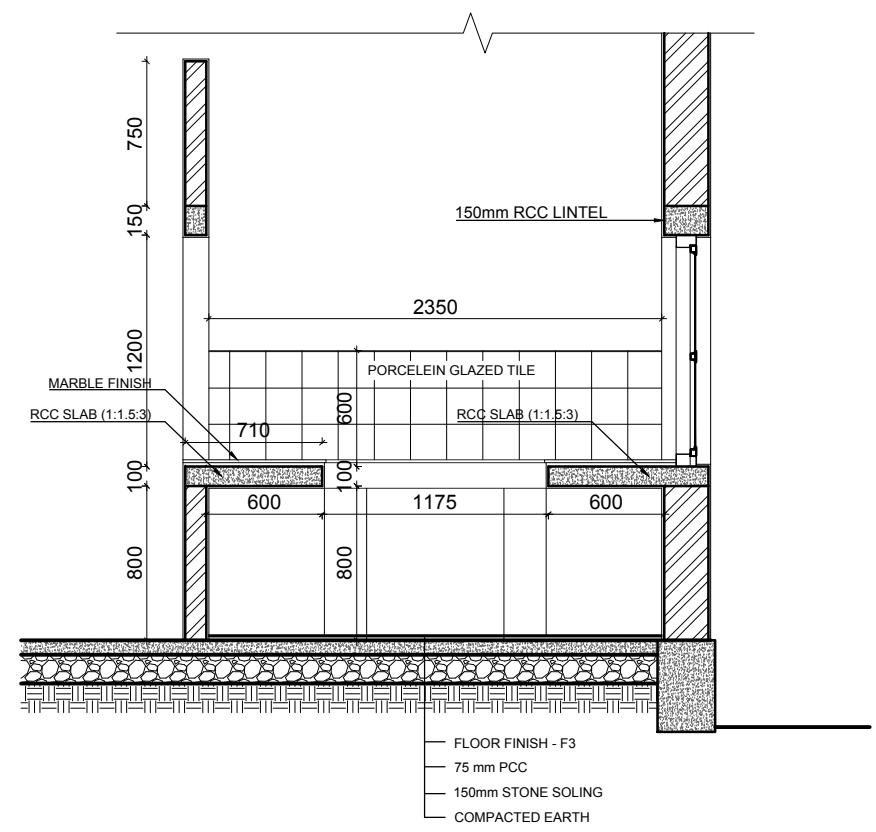
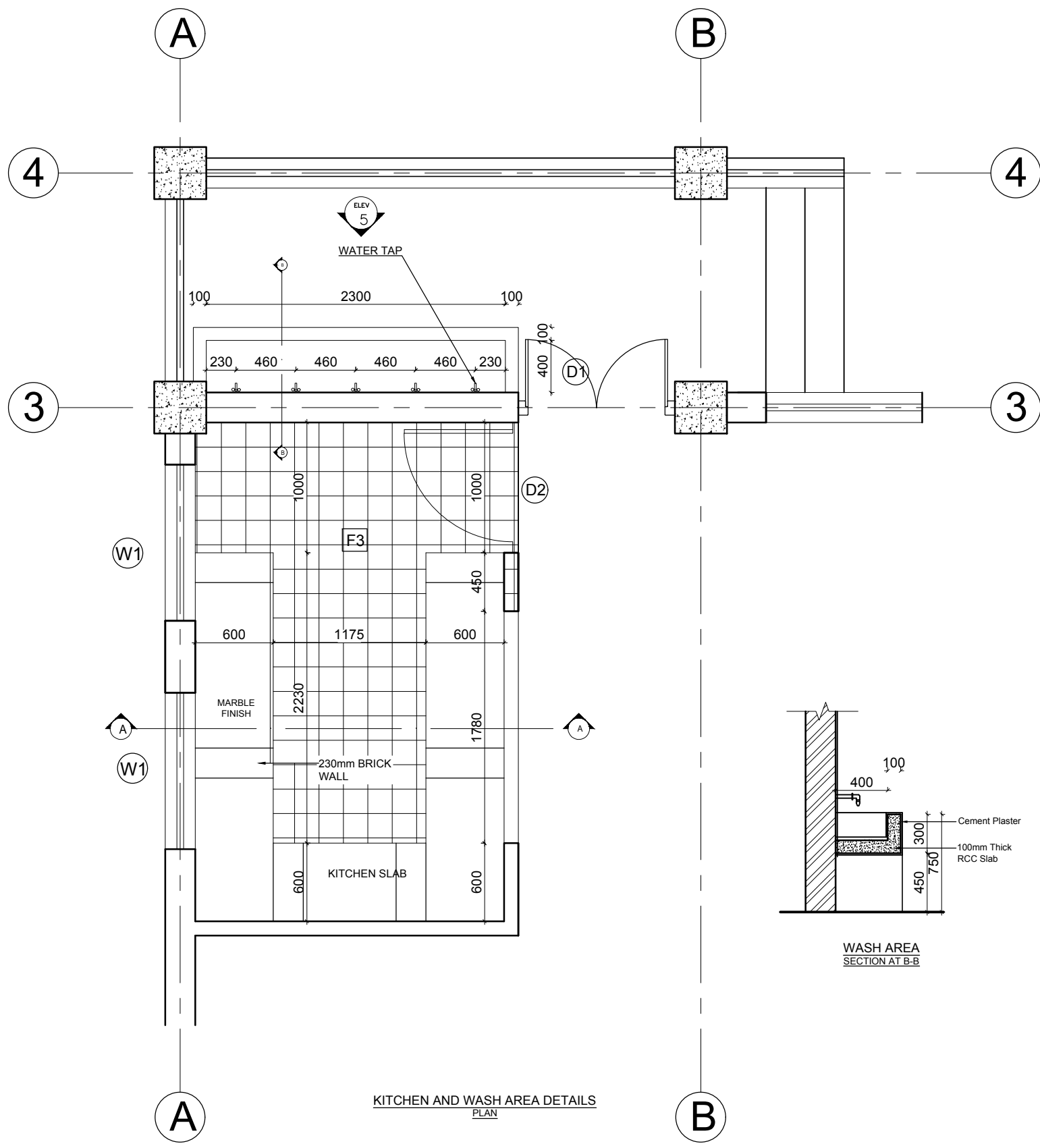


RAMP PLAN



SECTION AT A-A


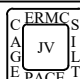
CLIENT	PROJECT TITLE	SHEET TITLE	CONSULTANT	PLANNING DESIGN TEAM	SHEET NO. AR-06
 Government of Nepal National Reconstruction Authority Central Level Project Implementation Unit - Education	<b>Disaster Resilience of Public School          Infrastructure and Community (DR-PSIC)</b>	<b>RAMP DETAIL</b>	DESIGN & SUPERVISION CONSULTANT(DSC) 	ENGINEER: Er. Salin Shrestha	REVISION: 1
				ARCHITECT: Ar. Sudeep Shakya	CHECKED:
				DRAWN : Ar.Srishti Paudel	APPROVED:
				SCALE :	PAPER SIZE : A3
					DATE: May 2018
					DWG NO: 1-CB



KITCHEN AND WASH AREA DETAILS  
PLAN

WASH AREA  
SECTION AT B-B

WASH AREA  
ELEVATION - 5

<p>CLIENT</p>  <p>Government of Nepal National Reconstruction Authority Central Level Project Implementation Unit - Education</p>	<p>PROJECT TITLE</p> <p>Disaster Resilience of Public School Infrastructure and Community (DR-PSIC)</p>	<p>SHEET TITLE</p> <p>KITCHEN DETAIL</p>	<p>CONSULTANT</p> <p>DESIGN &amp; SUPERVISION CONSULTANT(DSC)</p> 	<p>PLANNING DESIGN TEAM</p> <table border="1"> <tr> <td>ENGINEER: Er. Salin Shrestha</td> <td>REVISION: 1</td> </tr> <tr> <td>ARCHITECT: Ar. Sudeep Shakya</td> <td>CHECKED:</td> </tr> <tr> <td>DRAWN : Ar.Srishti Paudel</td> <td>APPROVED:</td> </tr> <tr> <td>SCALE :</td> <td>PAPER SIZE : A3</td> </tr> <tr> <td></td> <td>DATE: May 2018</td> </tr> </table>	ENGINEER: Er. Salin Shrestha	REVISION: 1	ARCHITECT: Ar. Sudeep Shakya	CHECKED:	DRAWN : Ar.Srishti Paudel	APPROVED:	SCALE :	PAPER SIZE : A3		DATE: May 2018	<p>SHEET NO. AR-07</p> <p>DWG NO: 1-CB</p>
ENGINEER: Er. Salin Shrestha	REVISION: 1														
ARCHITECT: Ar. Sudeep Shakya	CHECKED:														
DRAWN : Ar.Srishti Paudel	APPROVED:														
SCALE :	PAPER SIZE : A3														
	DATE: May 2018														