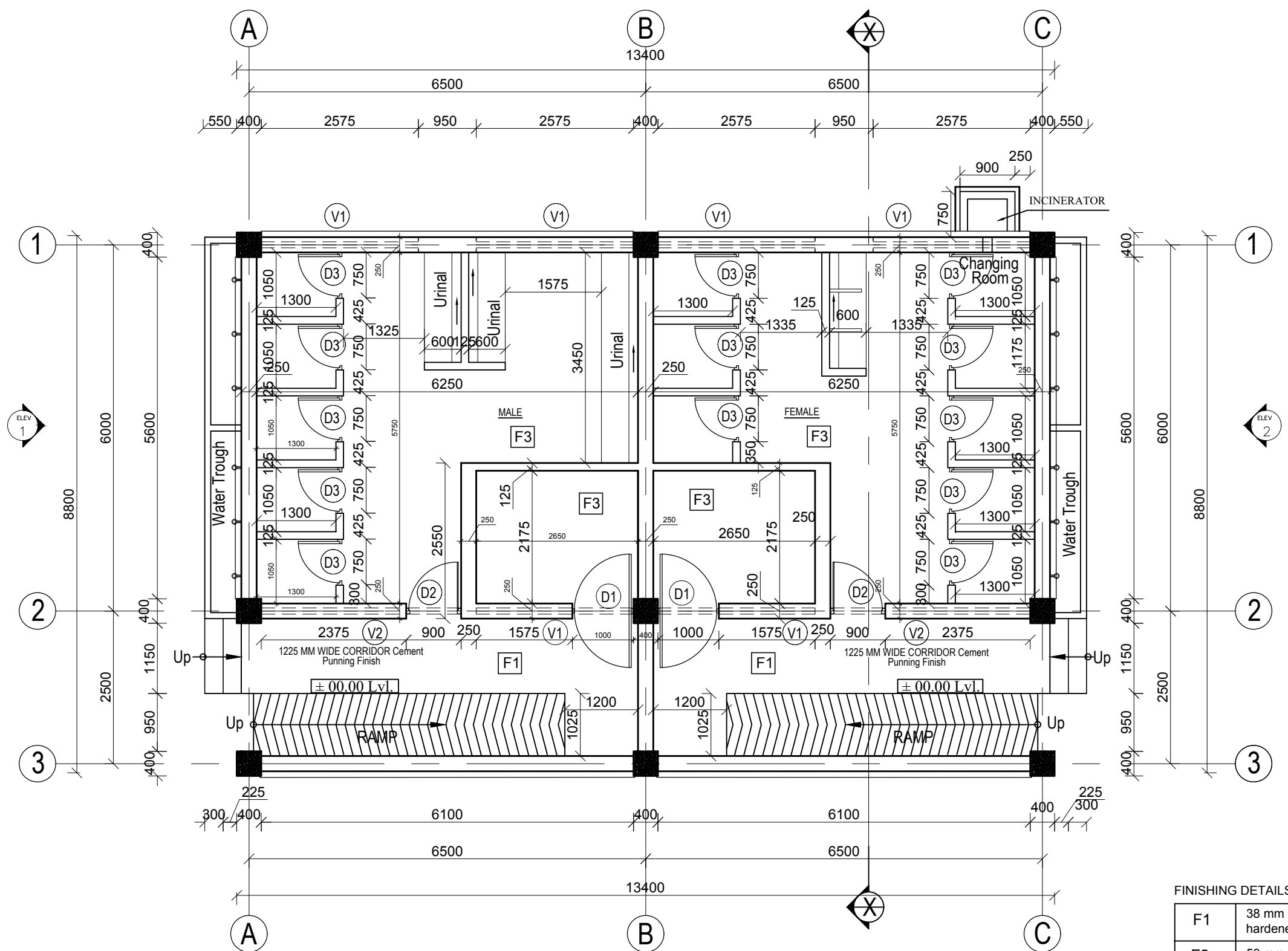


DISASTER RESILIENCE OF PUBLIC SCHOOL  
INFRASTRUCTURE AND COMMUNITY (DR-PSIC)

**TOILET BLOCK**  
**1-T12**  
**ARCHITECTURAL DRAWINGS**

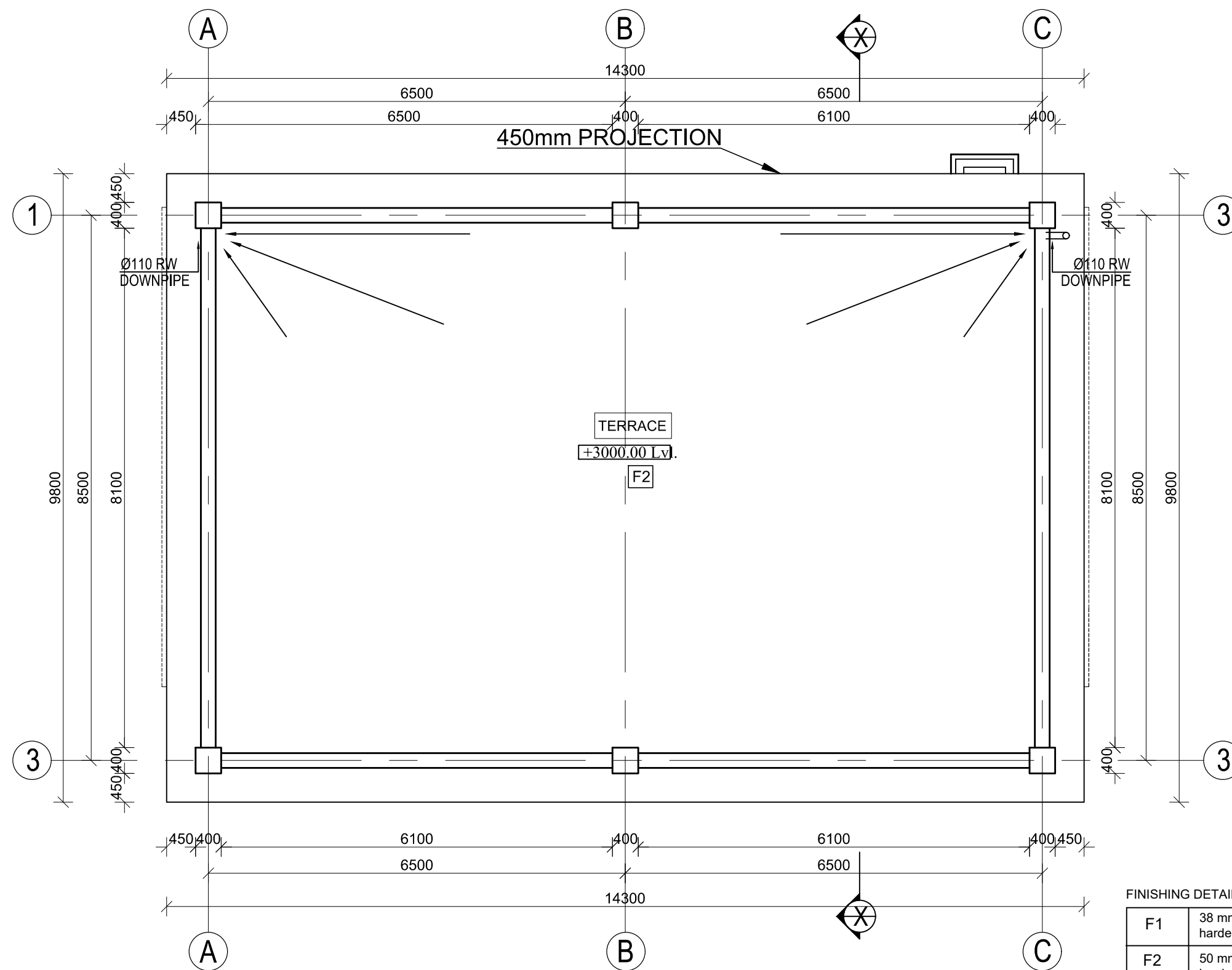


**GROUND FLOOR PLAN**  
Area = 119.26 Sq. M.

**FINISHING DETAILS:**

F1	38 mm PCC (1:2:4) with 1:1 cement punning with floor hardener (Dreitop FH, mapetop, Sika Chapdur or equivalent)
F2	50 mm PCC (1:2:4) with 1:1 cement punning with floor hardener (Dreitop FH, mapetop, Sika Chapdur or equivalent) and water proffing (safe-crete or equivalent)
F3	Non-glazed Tile finish with 1:4 cement sand mortar

<p>Government of Nepal National Reconstruction Authority Central Level Project Implementation Unit - Education</p>	<p>PROJECT TITLE <b>Disaster Resilience of Public School Infrastructure and Community (DR-PSIC)</b></p>	<p>SHEET TITLE GROUND FLOOR PLAN</p>	<p>CONSULTANT DESIGN &amp; SUPERVISION CONSULTANT(DSC-1) ERM/C/ SILT/ PACE/ CAGE JV</p>	<p>PLANNING DESIGN TEAM</p>		<p>SHEET NO. AR-01</p>
				<p>ENGINEER: Er. SALIN SHRESTHA ARCHITECT: Ar. DIBYA ACHARYA DRAWN : Ar. SRISHTI PAUDEL SCALE : 1:100</p>	<p>STRUCTURE ER: Er. DEEPAK THAPA CHECKED: APPROVED: PAPER SIZE : A3 DATE: MAY 2018</p>	

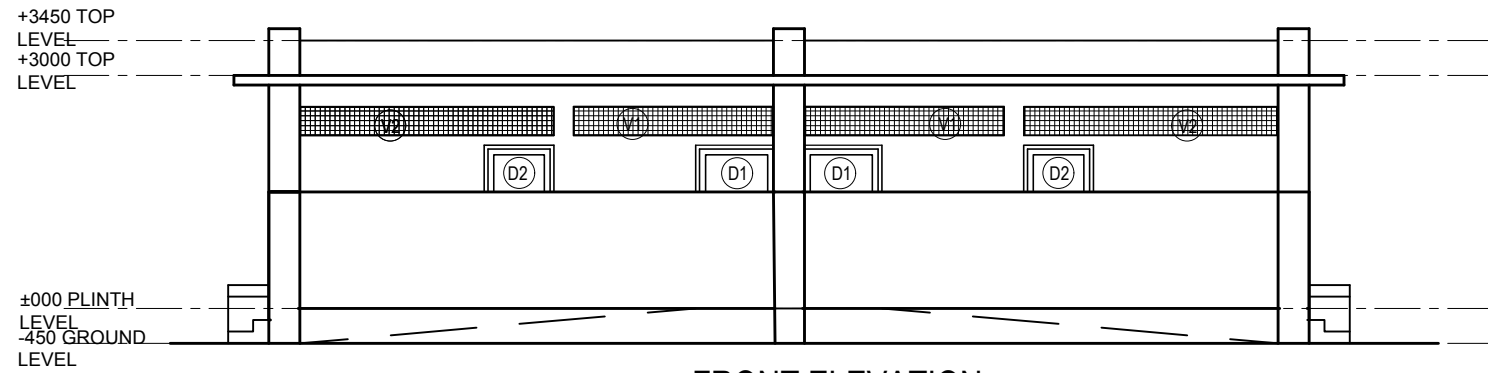


**ROOF PLAN**

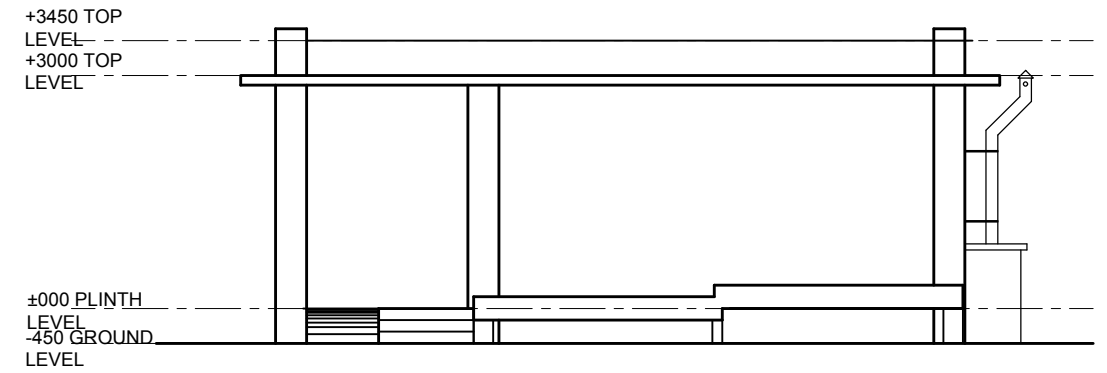
**FINISHING DETAILS:**

F1	38 mm PCC (1:2:4) with 1:1 cement punning with floor hardener (Dreitop FH, mapetop, Sika Chapdur or equivalent)
F2	50 mm PCC (1:2:4) with 1:1 cement punning with floor hardener (Dreitop FH, mapetop, Sika Chapdur or equivalent) and water proffing (safe-crete or equivalent)
F3	Non-glazed Tile finish with 1:4 cement sand mortar

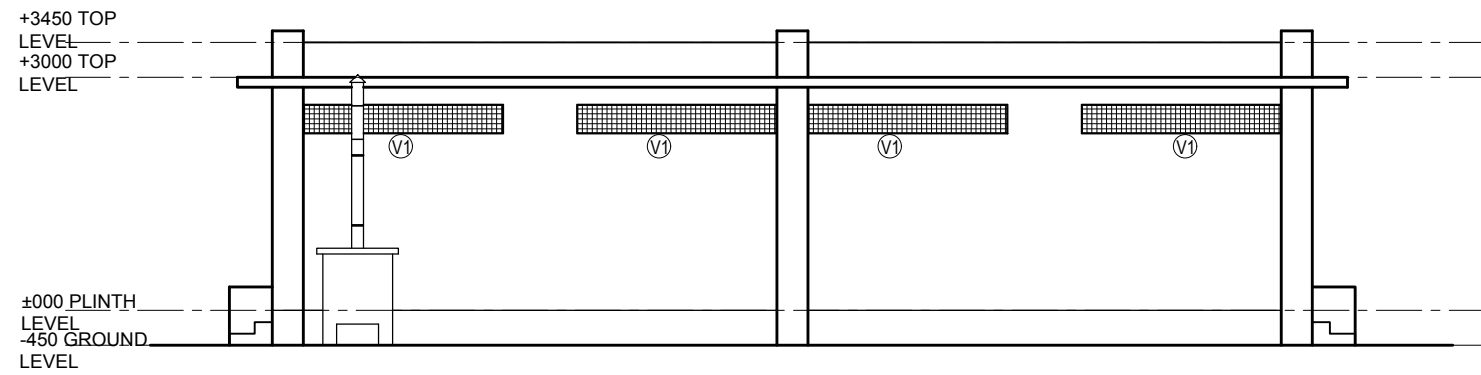
CLIENT	PROJECT TITLE	SHEET TITLE	CONSULTANT	PLANNING DESIGN TEAM		SHEET NO.
Government of Nepal National Reconstruction Authority Central Level Project Implementation Unit - Education	<b>Disaster Resilience of Public School          Infrastructure and Community (DR-PSIC)</b>	FIRST FLOOR PLAN	DESIGN & SUPERVISION CONSULTANT(DSC-1) ERM/ SILT/ PACE/ CAGE JV	ENGINEER: Er. SALIN SHRESTHA		AR-02
				ARCHITECT: Ar. DIBYA ACHARYA		DWG CODE: 1-T12
				DRAWN : Ar. SRISHTI PAUDEL SCALE : 1:100	STRUCTURE ER: Er. DEEPAK THAPA CHECKED: APPROVED: DATE: MAY 2018	



**FRONT ELEVATION**



**SIDE ELEVATION 2**




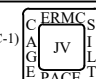
**BACK ELEVATION**

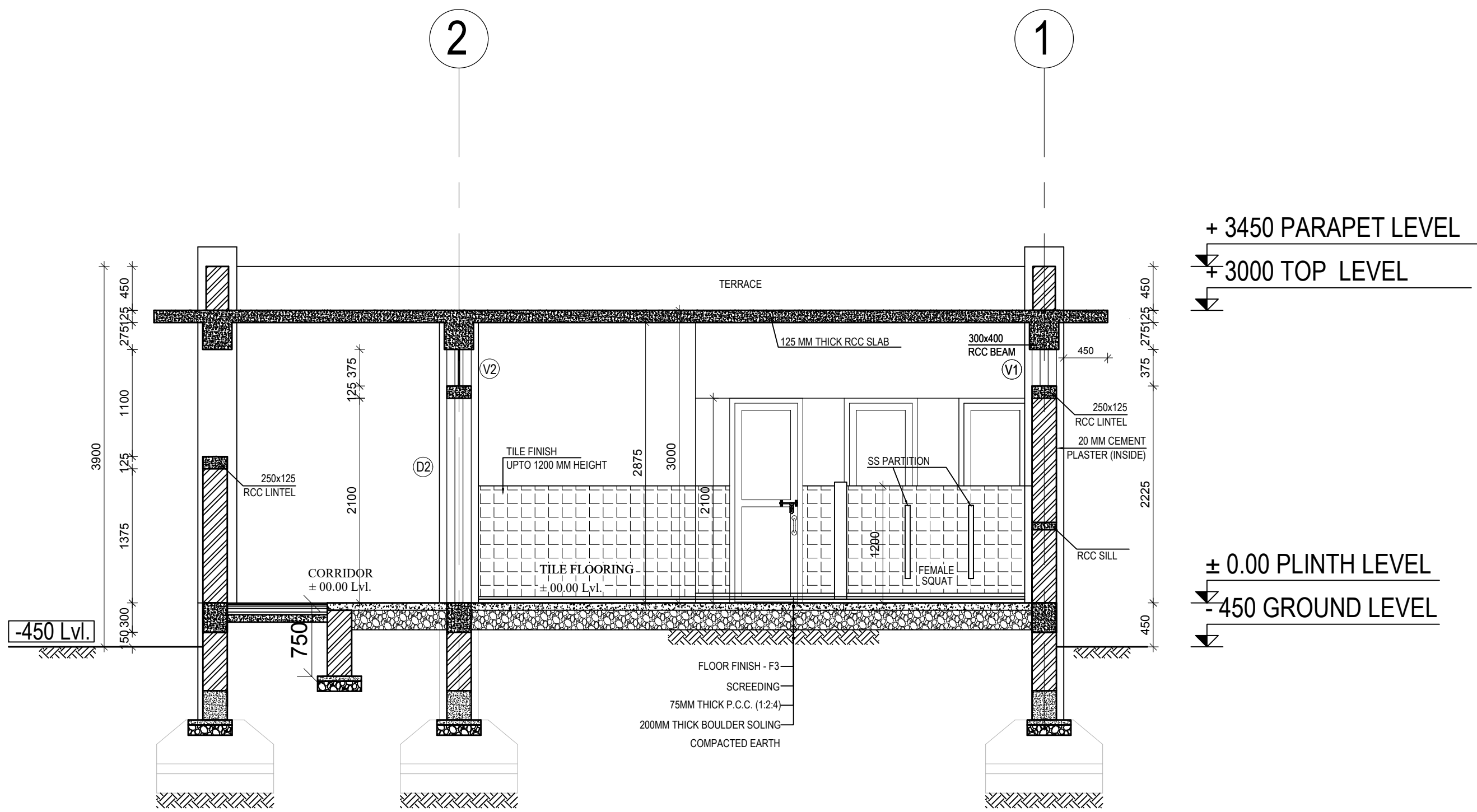


**SIDE ELEVATION 1**

**COLOR DETAILS**

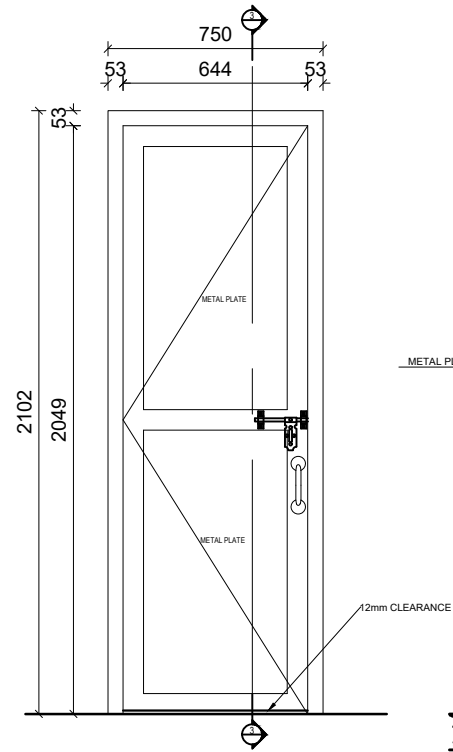
DESCRIPTION	COLOR	TYPE
<b>A. WALL</b>		
Interior	Cream or Ivory	Distemper
Exterior	Light Yellow	Weather Coat
<b>B. CEILING</b>		
Interior	White	Distemper
Exterior	White	Weather Coat
<b>C. PROJECTION</b>		
	Grey	Weather Coat
<b>D. DOORS &amp; WINDOWS</b>		
	Dark Brown	Powder Coated
<b>E. PLINTH BAND</b>		
	Grey	Weather Coat

CLIENT	PROJECT TITLE	SHEET TITLE	CONSULTANT	PLANNING DESIGN TEAM	SHEET NO. AR-03
 Government of Nepal National Reconstruction Authority Central Level Project Implementation Unit - Education	<b>Disaster Resilience of Public School          Infrastructure and Community (DR-PSIC)</b>	SECOND FLOOR PLAN	DESIGN & SUPERVISION CONSULTANT(DSC-1) ERM/ SILT/ PACE/ CAGE JV	ENGINEER: Er. SALIN SHRESTHA ARCHITECT: Ar. DIBYA ACHARYA DRAWN : Ar. SRISHTI PAUDEL SCALE : 1:100	STRUCTURE ER: Er. DEEPAK THAPA CHECKED: APPROVED: DATE: MAY 2018
					DWG CODE: 1-T12

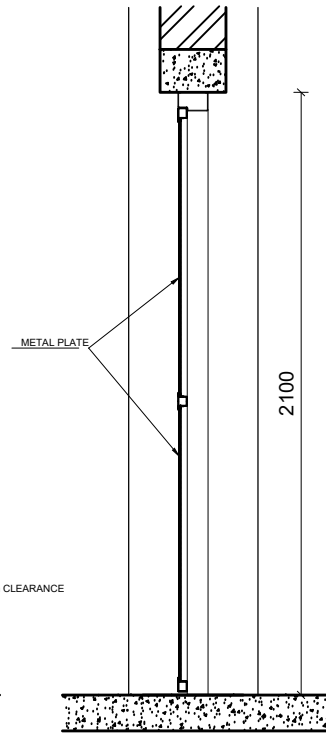


# SECTION AT X-X

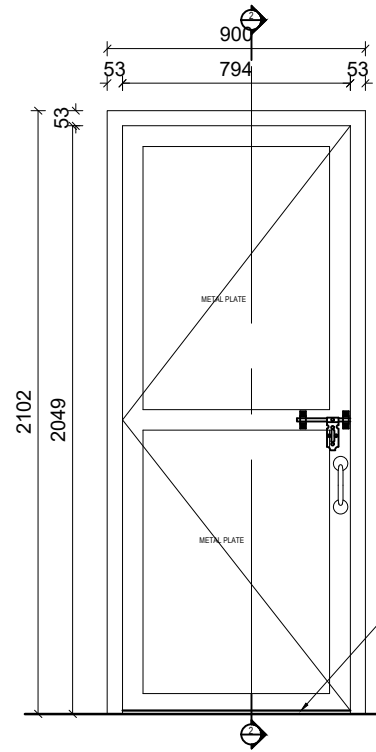
CLIENT	PROJECT TITLE	SHEET TITLE	CONSULTANT	PLANNING DESIGN TEAM		SHEET NO. AR-04
Government of Nepal National Reconstruction Authority Central Level Project Implementation Unit - Education	<b>Disaster Resilience of Public School          Infrastructure and Community (DR-PSIC)</b>	SECTION	DESIGN & SUPERVISION CONSULTANT(DSC-1) ERM/ SILT/ PACE/ CAGE JV	ENGINEER: Er. SALIN SHRESTHA	STRUCTURE ER: Er. DEEPAK THAPA	DWG CODE: I-T12
				ARCHITECT: Ar. DIBYA ACHARYA	CHECKED:	
				DRAWN : Ar. SRISHTI PAUDEL	APPROVED:	
				SCALE : 1:50	PAPER SIZE : A3	DATE: MAY 2018



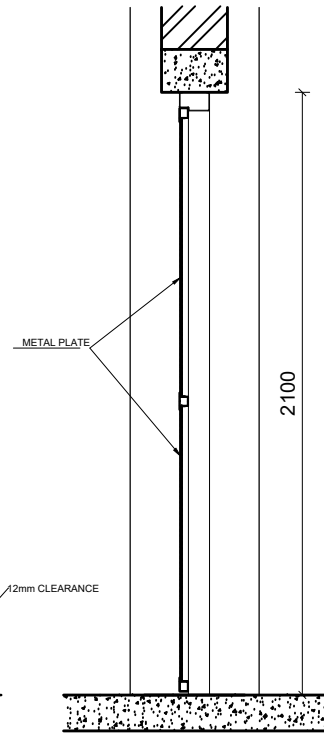
DOOR-D3 (13 Nos.)



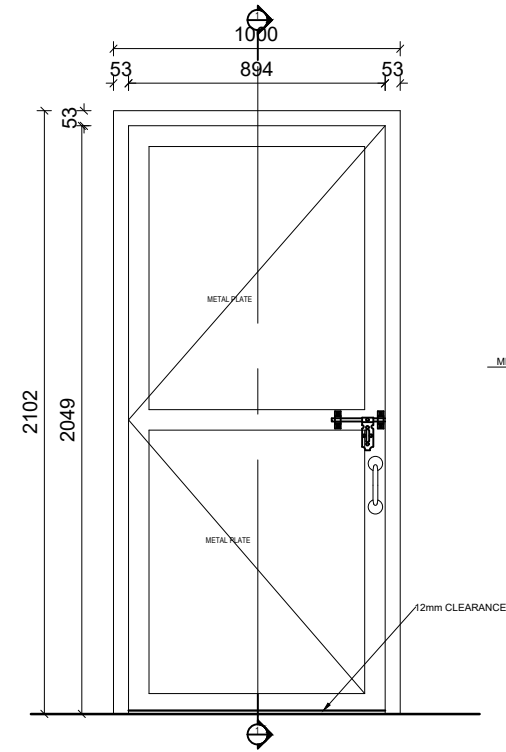
SECTION AT 3-3



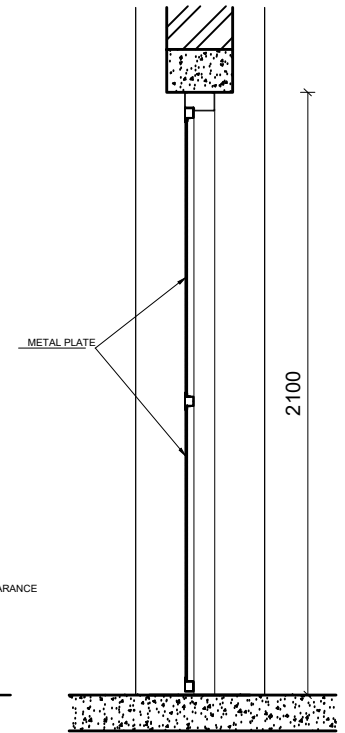
DOOR-D2 (2 Nos.)



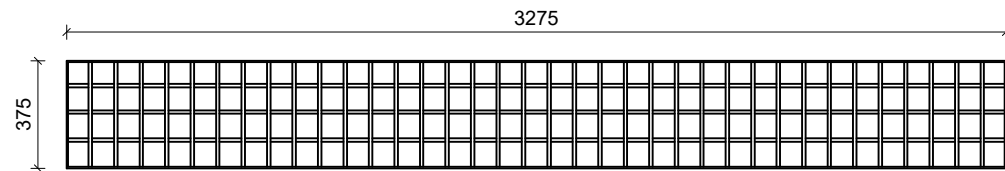
SECTION AT 2-2



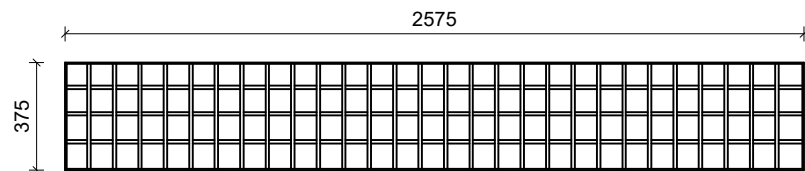
DOOR-D1 (2 Nos.)



SECTION AT 1-1



VENTILATION V2 (2 NOS.)  
(Scale= 1:25)



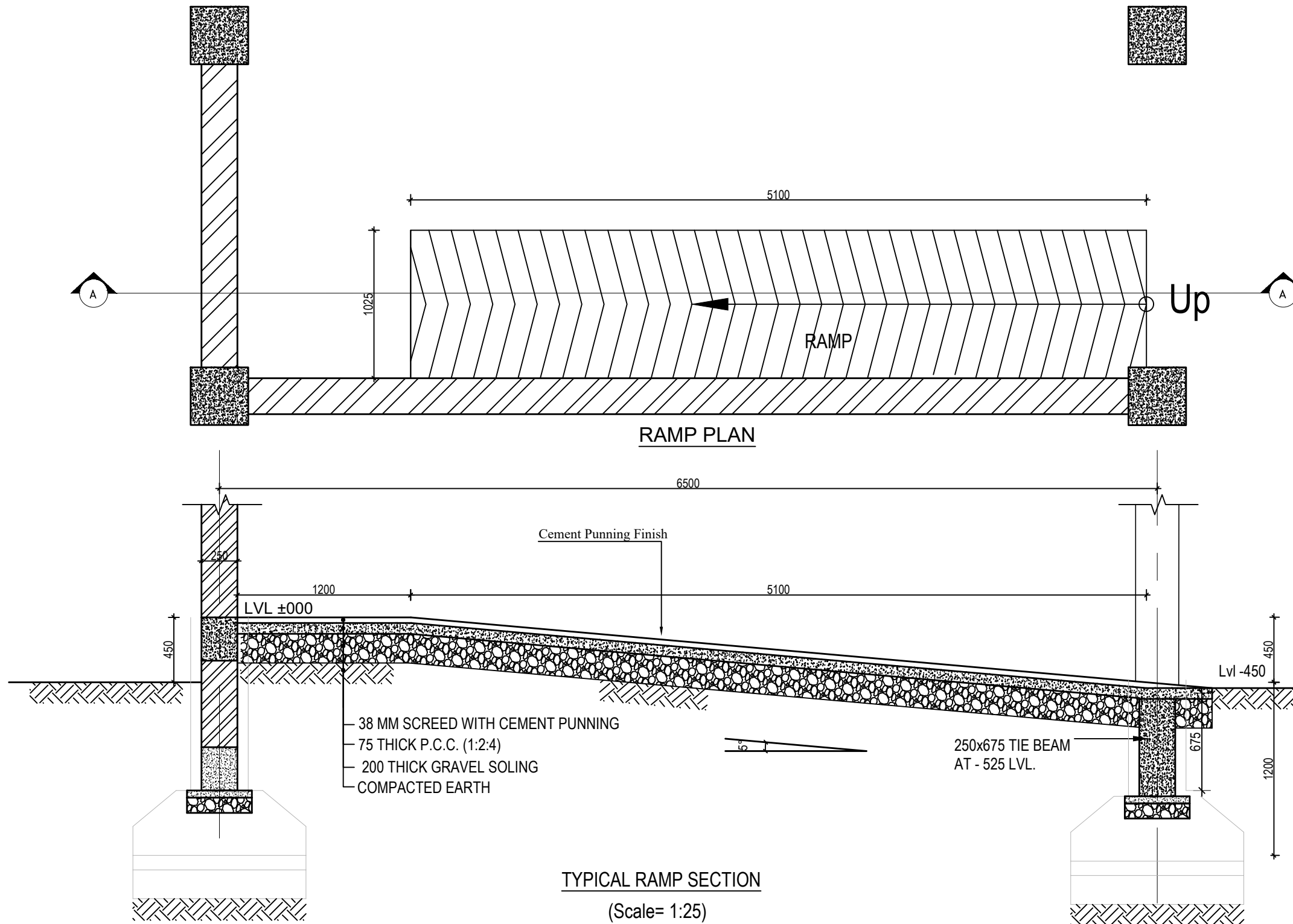
VENTILATION V1 (6 NOS.)  
(Scale= 1:25)


**DOORS & WINDOWS SCHEDULE:**

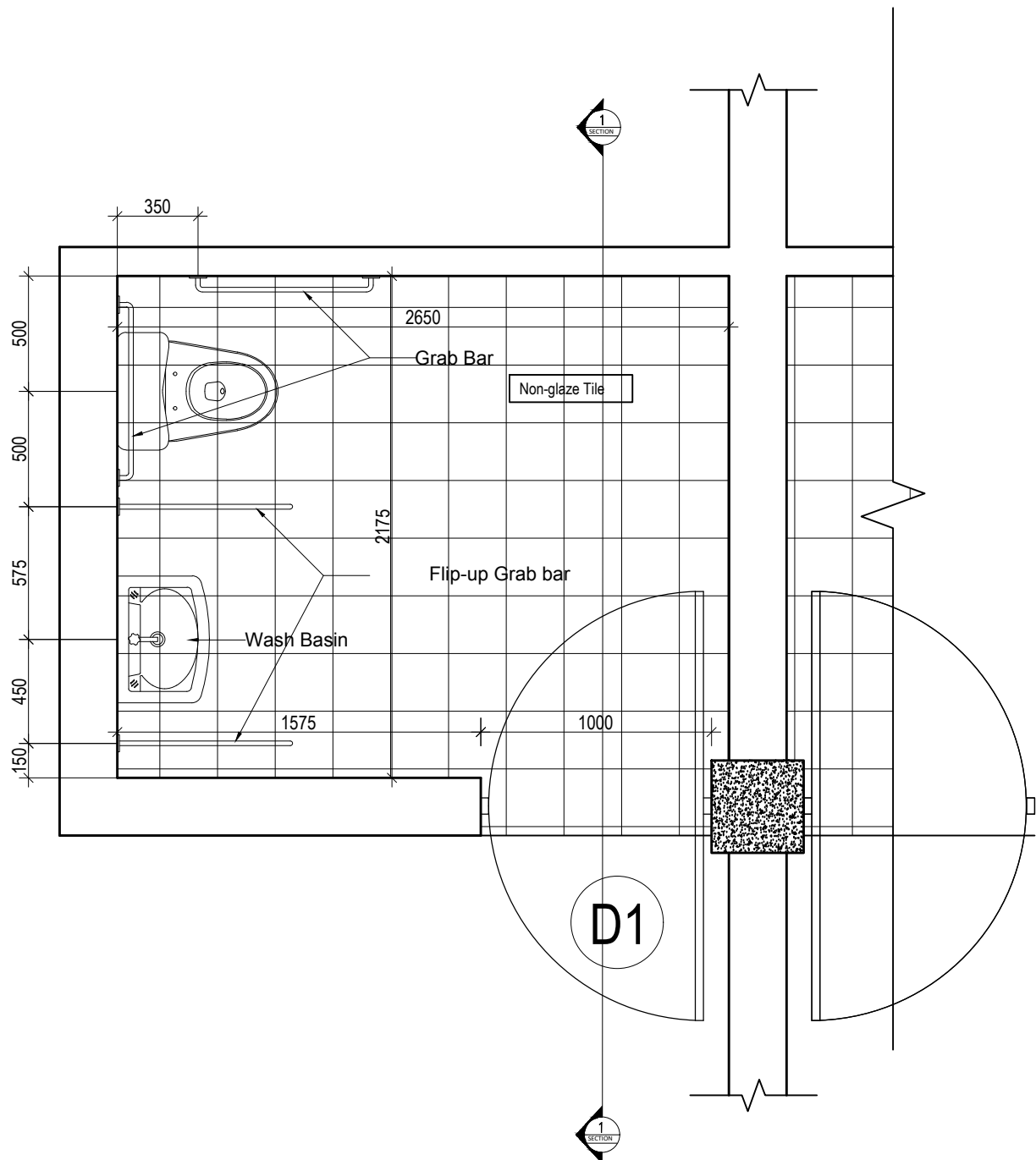
S.N.	SYMBOL	SIZES	NOS.	REMARKS
1.	V1	2575 x 375	6	MS Frame
2.	V2	3275 x 375	2	MS Frame
3.	D1	1000 x 2100	2	Powder Coated Door
4.	D2	900 x 2100	2	Powder Coated Door
5.	D3	750 x 2100	13	Powder Coated Door
TOTAL			25	

CLIENT	PROJECT TITLE	SHEET TITLE	CONSULTANT	PLANNING DESIGN TEAM		SHEET NO. AR-05
Government of Nepal National Reconstruction Authority Central Level Project Implementation Unit - Education	<b>Disaster Resilience of Public School          Infrastructure and Community (DR-PSIC)</b>	DOOR WINDOW DETAILS	DESIGN & SUPERVISION CONSULTANT(DSC-1) ERM/ SILT/ PACE/ CAGE JV	ENGINEER: Er. SALIN SHRESTHA ARCHITECT: Ar. DIBYA ACHARYA DRAWN : Ar. SRISHTI PAUDEL		DWG CODE: I-T12
				STRUCTURE ER: Er. DEEPAK THAPA CHECKED: APPROVED:		
				SCALE :	PAPER SIZE : A3	

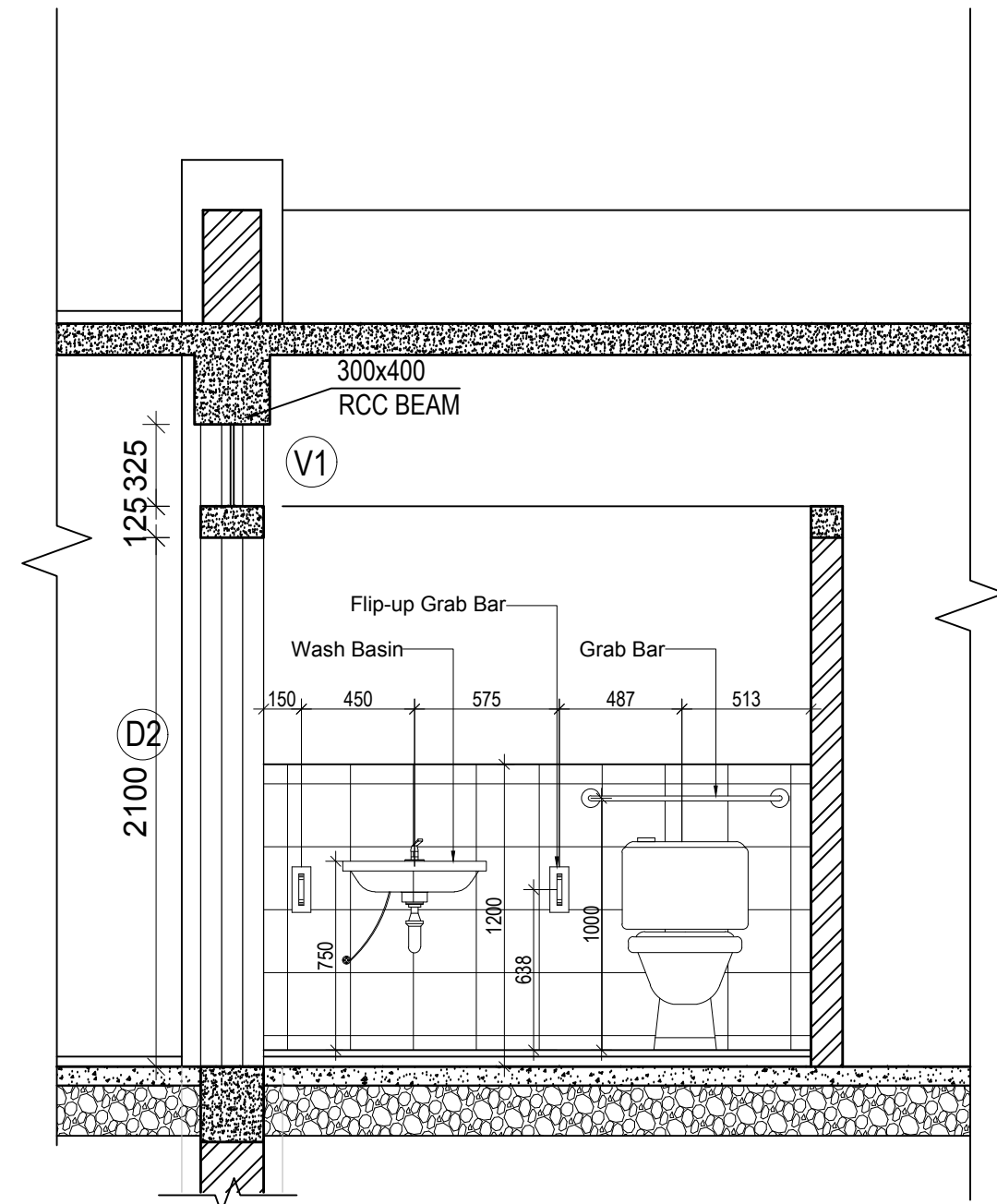





CLIENT	PROJECT TITLE	SHEET TITLE	CONSULTANT	PLANNING DESIGN TEAM	SHEET NO. AR-06
 Government of Nepal National Reconstruction Authority Central Level Project Implementation Unit - Education	<b>Disaster Resilience of Public School          Infrastructure and Community (DR-PSIC)</b>	RAMP DETAILS	DESIGN & SUPERVISION CONSULTANT(DSC-1) ERM/ SILT/ PACE/ CAGE JV	ENGINEER: Er. SALIN SHRESTHA ARCHITECT: Ar. DIBYA ACHARYA DRAWN : Ar. SRISHTI PAUDEL SCALE :	STRUCTURE ER: Er. DEEPAK THAPA CHECKED: APPROVED: DATE: MAY 2018
				PAPER SIZE : A3	DWG CODE: I-T12



**TOILET FOR DIFFERENTLY-ABLED**  
PLAN

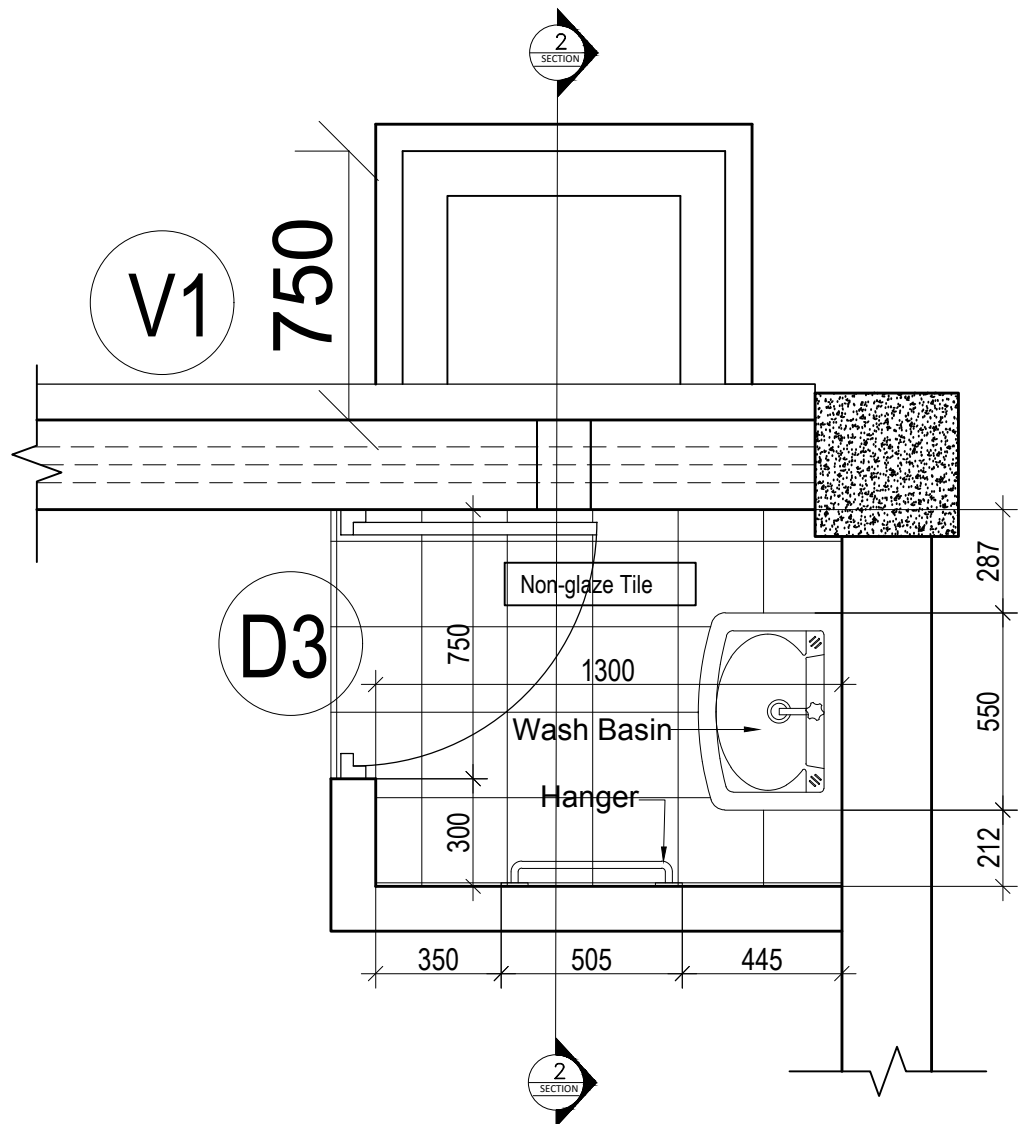


**TOILET FOR DIFFERENTLY-ABLED**  
SECTION AT 1-1

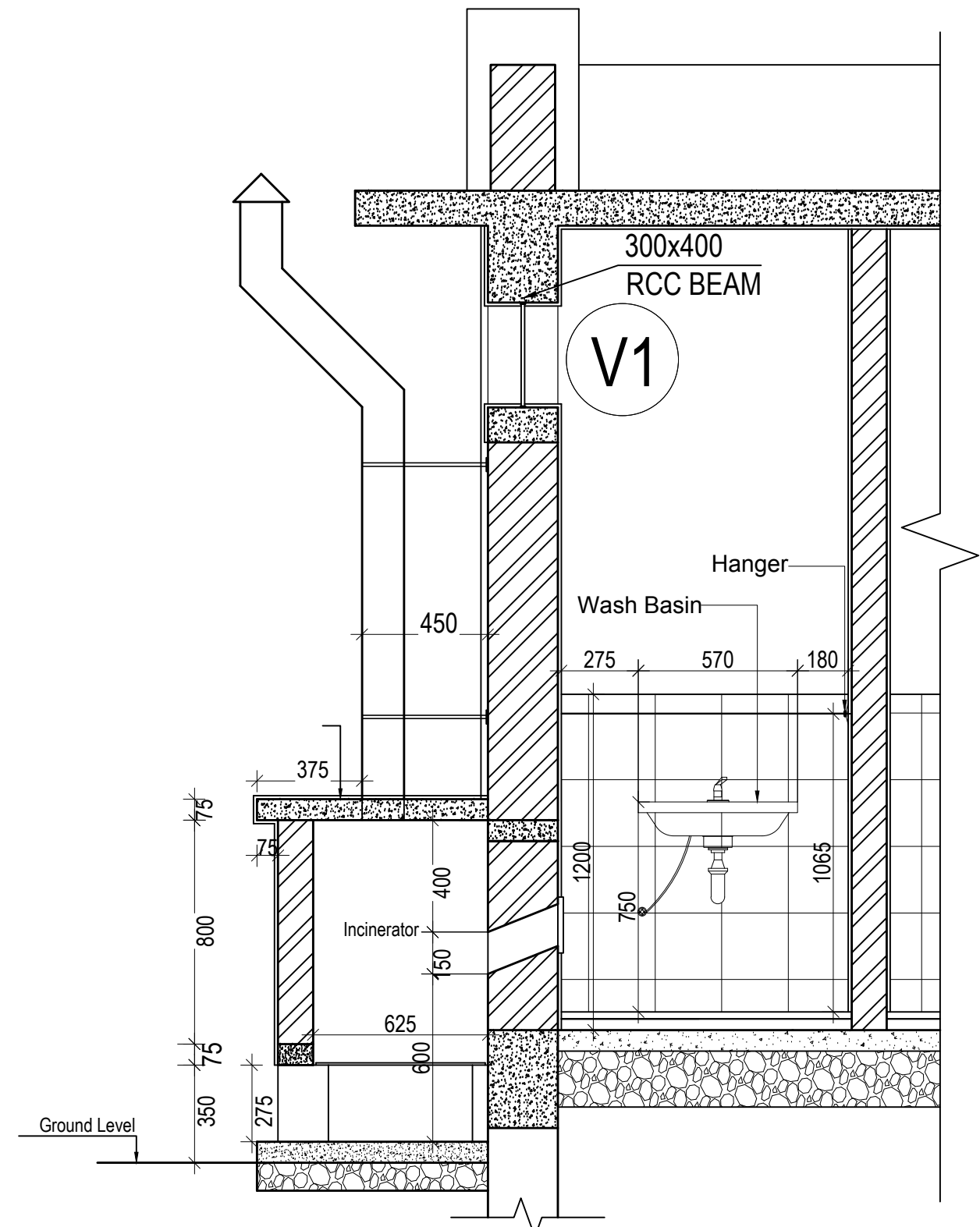
CLIENT	PROJECT TITLE	SHEET TITLE	CONSULTANT	PLANNING DESIGN TEAM		SHEET NO. AR-08
 Government of Nepal National Reconstruction Authority Central Level Project Implementation Unit - Education	<b>Disaster Resilience of Public School          Infrastructure and Community (DR-PSIC)</b>	TOILET FOR DIFFERENTLY-ABLED DETAILS	DESIGN & SUPERVISION CONSULTANT(DSC-1) ERM/ SILT/ PACE/ CAGE JV	ENGINEER: Er. SALIN SHRESTHA ARCHITECT: Ar. DIBYA ACHARYA DRAWN : Ar. SRISHTI PAUDEL SCALE :	STRUCTURE ER: Er. DEEPAK THAPA CHECKED: APPROVED: DATE: MAY 2018	DWG CODE: I-T12






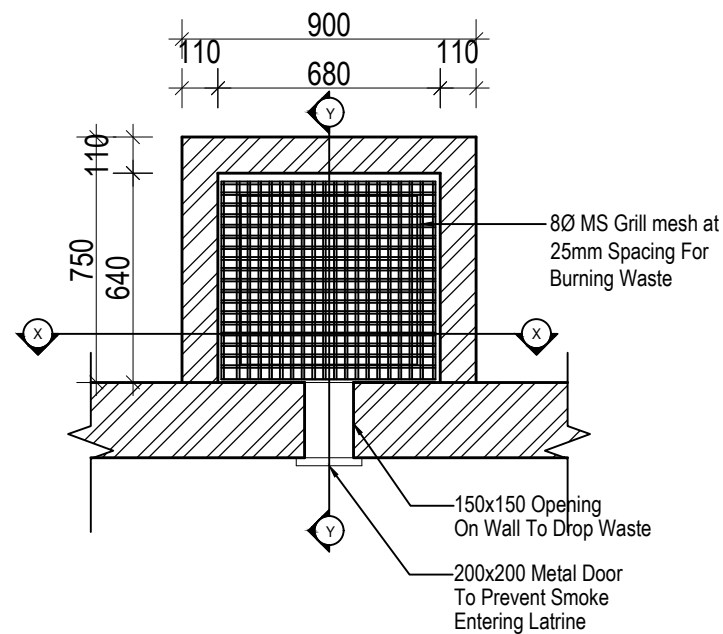


**CHANGING ROOM FOR FEMALE  
PLAN**

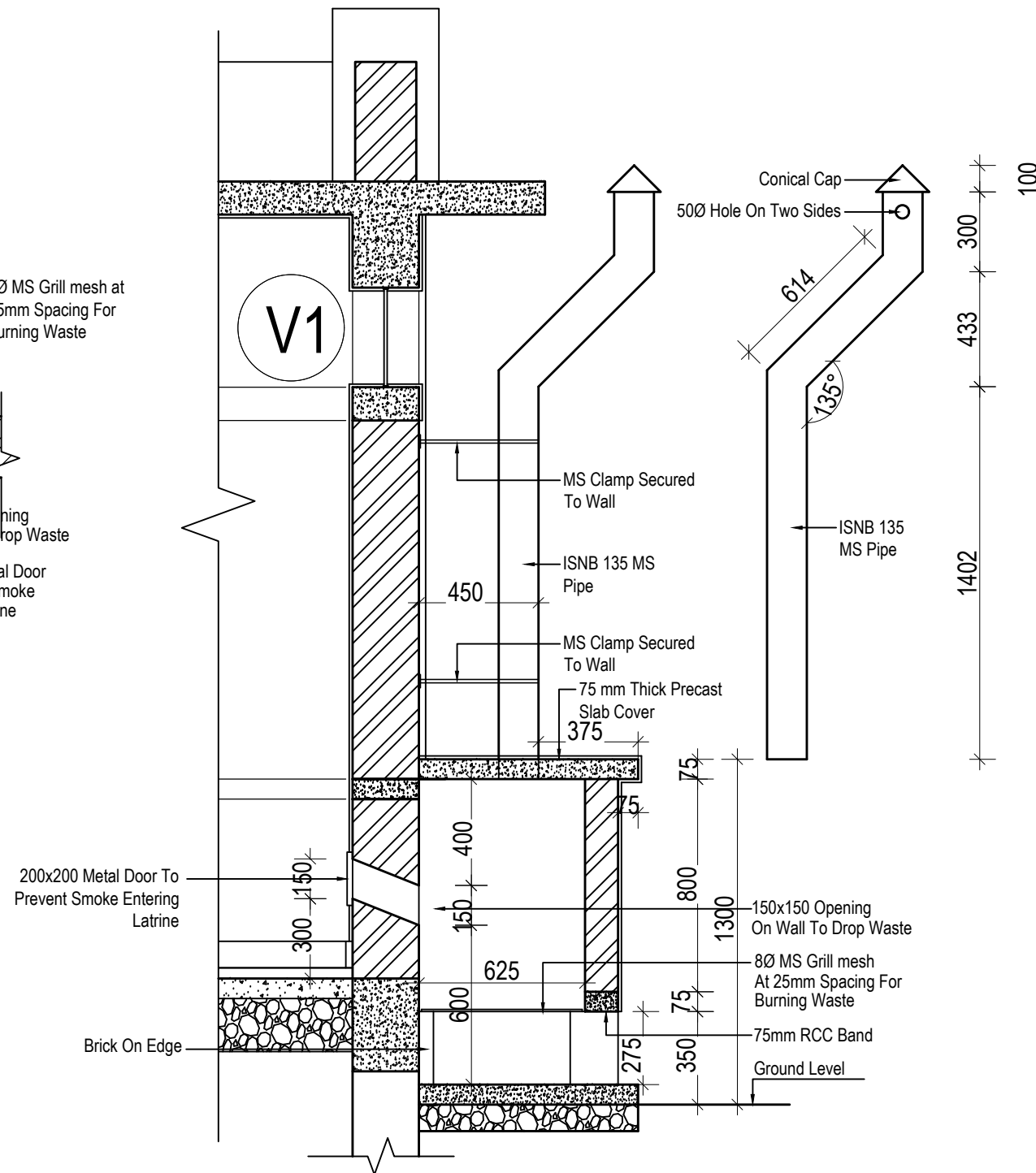


**CHANGING ROOM FOR FEMALE  
SECTION AT 2-2**

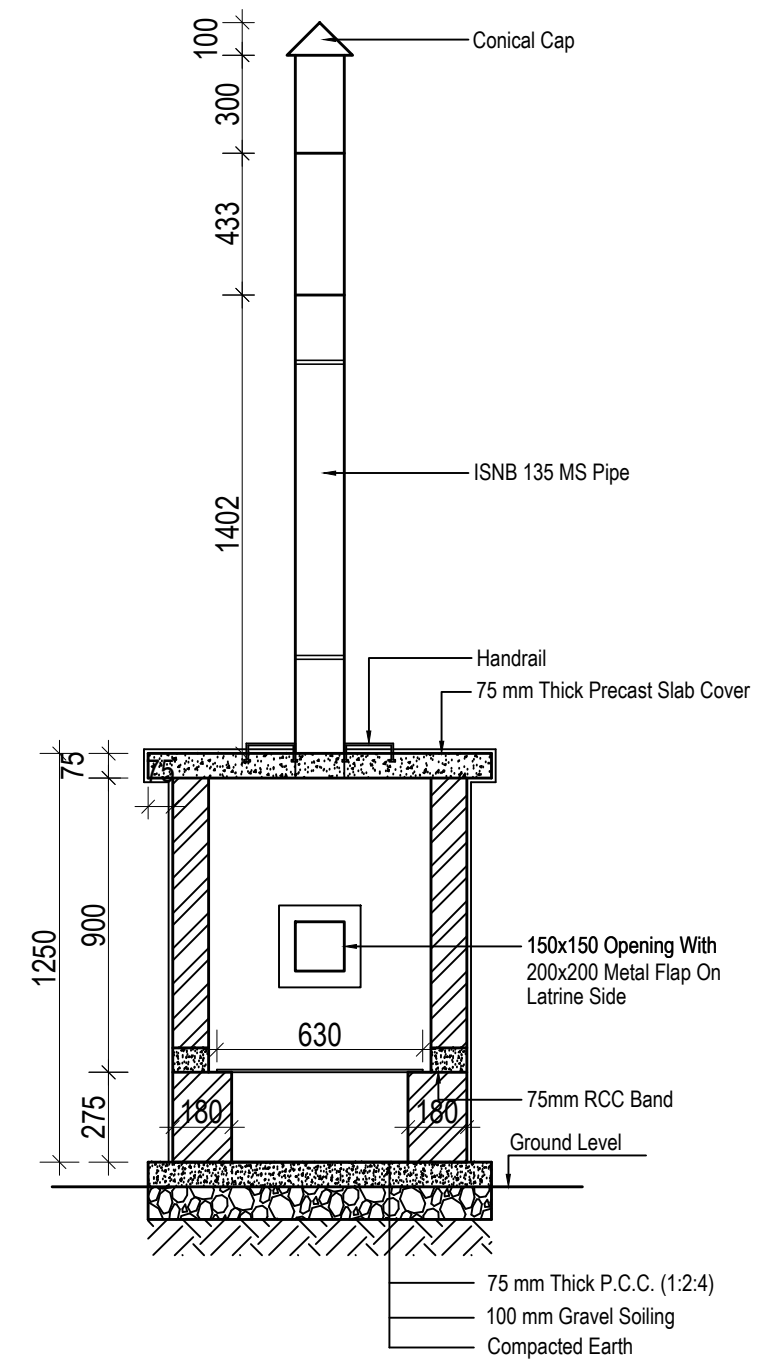
CLIENT	PROJECT TITLE	SHEET TITLE	CONSULTANT	PLANNING DESIGN TEAM		SHEET NO. AR-09
 Government of Nepal National Reconstruction Authority Central Level Project Implementation Unit - Education	<b>Disaster Resilience of Public School          Infrastructure and Community (DR-PSIC)</b>	CHANGING ROOM FOR FEMALE DETAILS	DESIGN & SUPERVISION CONSULTANT(DSC-1) ERM/ SILT/ PACE/ CAGE JV	ENGINEER: Er. SALIN SHRESTHA ARCHITECT: Ar. DIBYA ACHARYA DRAWN : Ar. SRISHTI PAUDEL SCALE :	STRUCTURE ER: Er. DEEPAK THAPA CHECKED: APPROVED: DATE: MAY 2018	DWG CODE: 1-T12



**INCINERATOR PLAN**

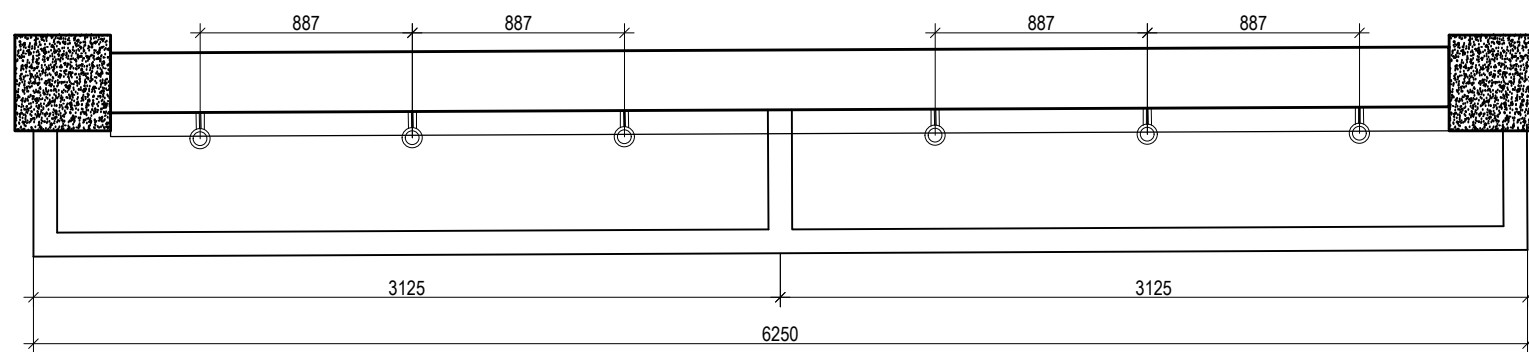


**SECTION AT Y-Y**

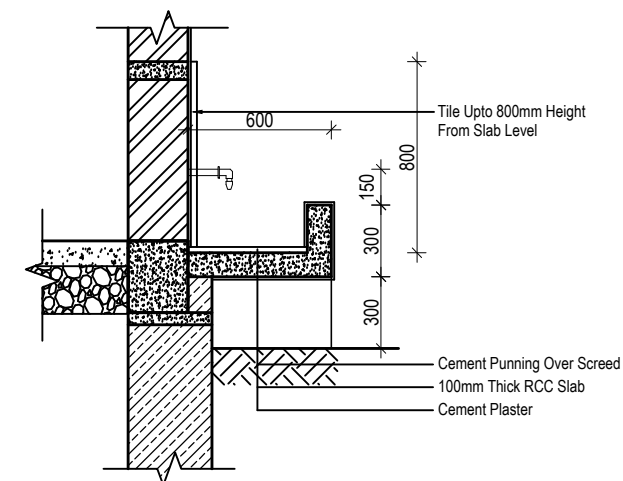


**SECTION AT X-X**

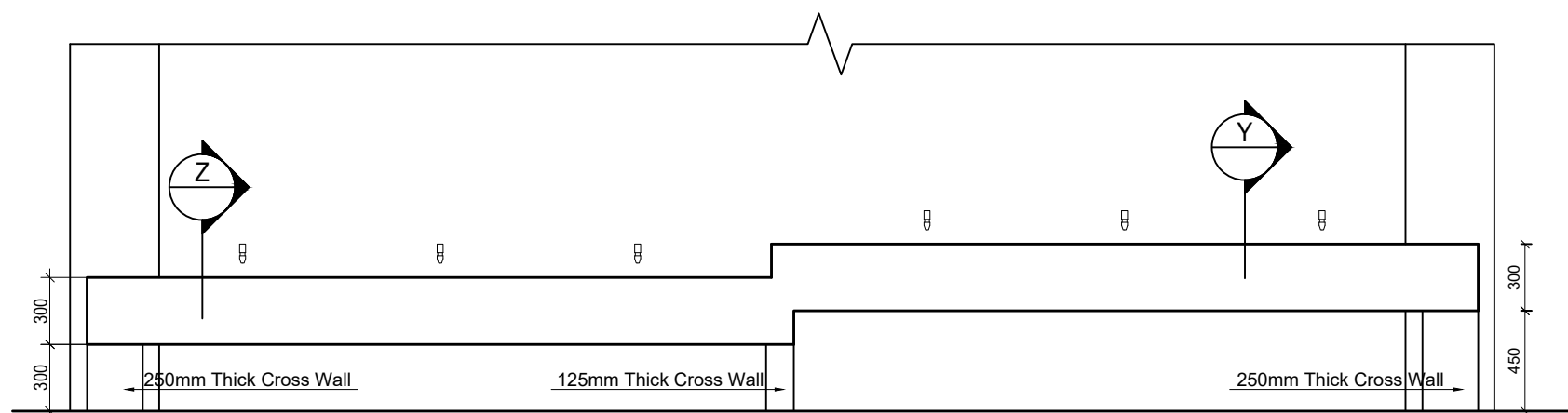
CLIENT	PROJECT TITLE	SHEET TITLE	CONSULTANT	PLANNING DESIGN TEAM		SHEET NO. AR-07
Government of Nepal National Reconstruction Authority Central Level Project Implementation Unit - Education	<b>Disaster Resilience of Public School          Infrastructure and Community (DR-PSIC)</b>	INCINERATOR DETAILS	DESIGN & SUPERVISION CONSULTANT(DSC-1) ERM/ SILT/ PACE/ CAGE JV	ENGINEER: Er. SALIN SHRESTHA	STRUCTURE ER- Er. DEEPAK THAPA	DWG CODE: I-T12
				ARCHITECT: Ar. DIBYA ACHARYA	CHECKED:	
				DRAWN : Ar. SRISHTI PAUDEL	APPROVED:	
		SCALE :	PAPER SIZE : A3	DATE: MAY 2018		



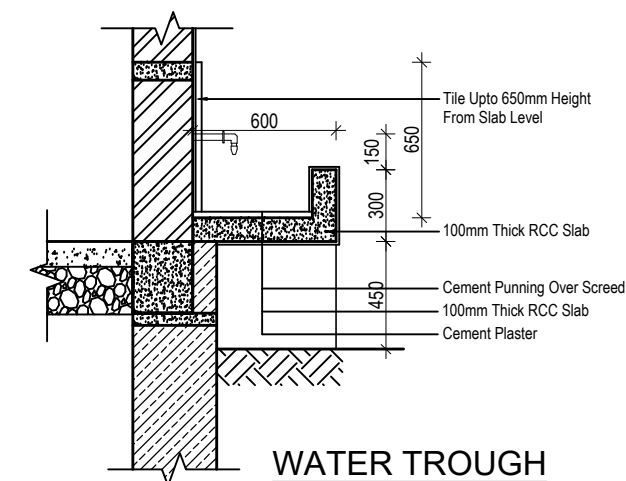
**WATER TROUGH**  
PLAN




**WATER TROUGH**  
SECTION AT Z



**WATER TROUGH**  
ELEVATION



**WATER TROUGH**  
SECTION AT Y

CLIENT	PROJECT TITLE	SHEET TITLE	CONSULTANT	PLANNING DESIGN TEAM	SHEET NO. AR-10
 Government of Nepal National Reconstruction Authority Central Level Project Implementation Unit - Education	<b>Disaster Resilience of Public School          Infrastructure and Community (DR-PSIC)</b>	WATER TROUGH DETAILS	DESIGN & SUPERVISION CONSULTANT(DSC-1) ERM/C/ SILT/ PACE/ CAGE JV	ENGINEER: Er. SALIN SHRESTHA ARCHITECT: Ar. DIBYA ACHARYA DRAWN : Ar. SRISHTI PAUDEL SCALE :	STRUCTURE ER: Er. DEEPAK THAPA CHECKED: APPROVED: DATE: MAY 2018
					DWG CODE: I-T12