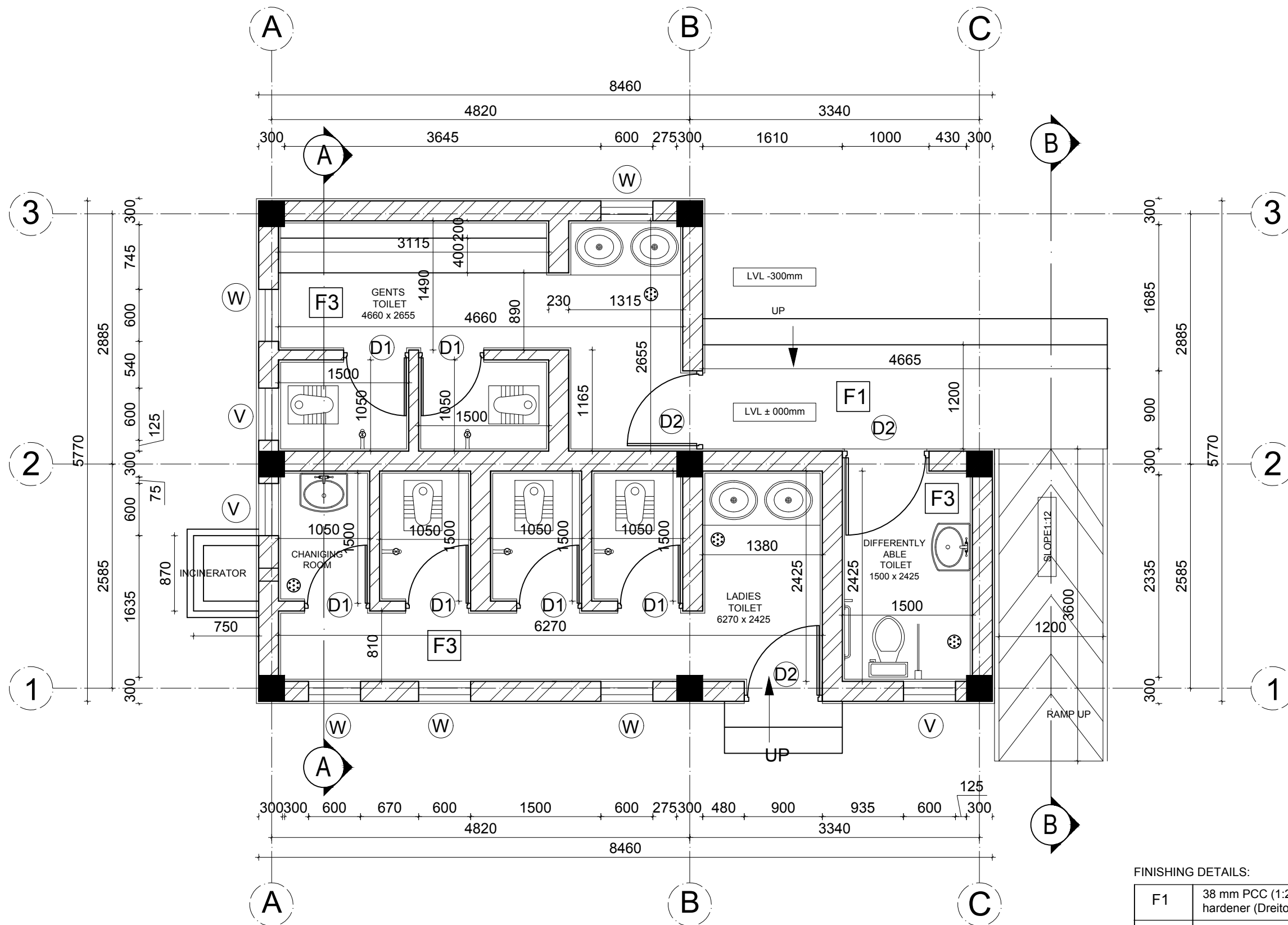


DISASTER RESILIENCE OF PUBLIC SCHOOL
INFRASTRUCTURE AND COMMUNITY (DR-PSIC)

TOILET BLOCK

1-T5


ARCHITECTURAL DRAWINGS

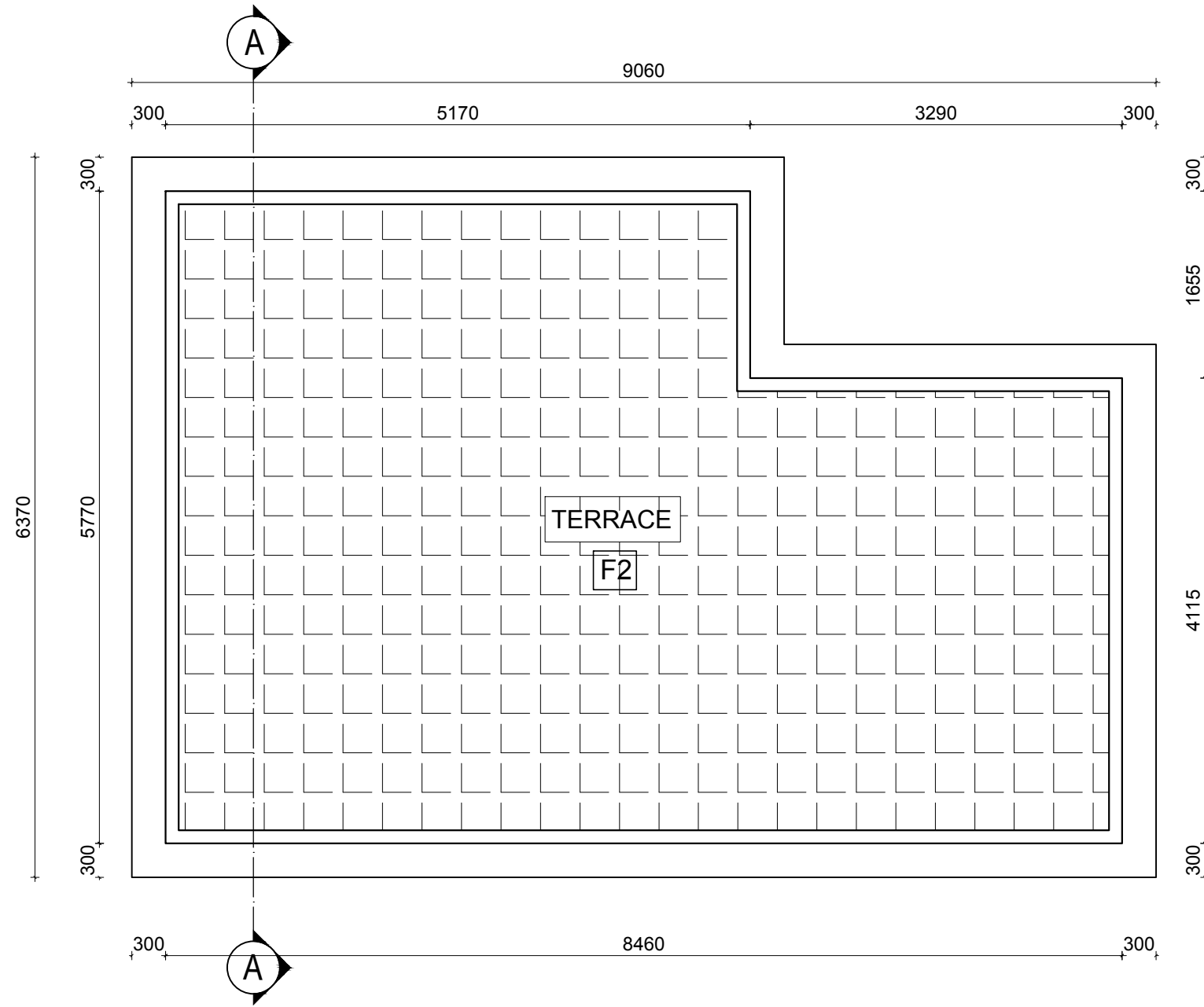


GROUND FLOOR PLAN
AREA= 39.89 Sq.m.

FINISHING DETAILS:

F1	38 mm PCC (1:2:4) with 1:1 cement punning with floor hardener (Dreitop FH, mapetop, Sika Chapdur or equivalent)
F2	50 mm PCC (1:2:4) with 1:1 cement punning with floor hardener (Dreitop FH, mapetop, Sika Chapdur or equivalent) and water proffing (safe-crete or equivalent)
F3	Non-glazed Tile finish with 1:4 cement sand mortar


 CLIENT Government of Nepal National Reconstruction Authority Central Level Project Implementation Unit - Education	PROJECT TITLE Disaster Resilience of Public School Infrastructure and Community (DR-PSIC)	SHEET TITLE FLOOR PLAN	CONSULTANT DESIGN & SUPERVISION CONSULTANT(DSC-1) ERMC / SILT/ PACE/ CAGE JV	PLANNING DESIGN TEAM		SHEET NO. AR-01 DWG CODE: 1-T5
				ENGINEER: Salin Shrestha ARCHITECT: Sudeep Shukya DRAWN : Garima Nakarmi	REVISION: CHECKED: APPROVED:	



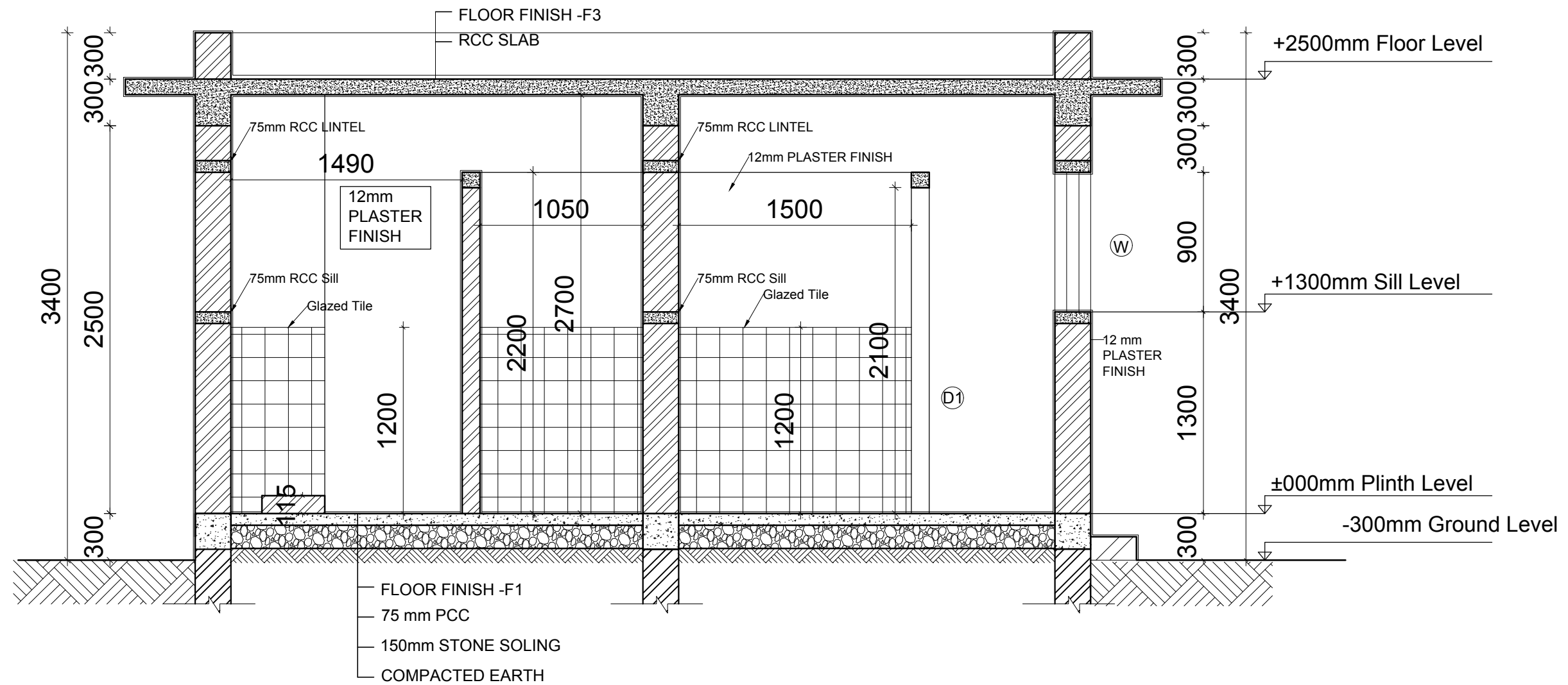
ROOF PLAN

FINISHING DETAILS:

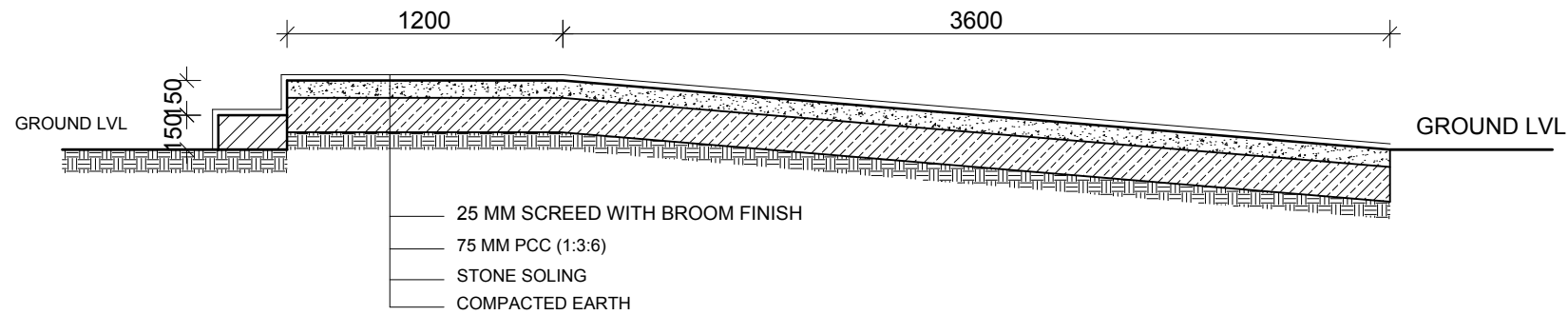
F1	38 mm PCC (1:2:4) with 1:1 cement punning with floor hardener (Dreitop FH, mapetop, Sika Chapdur or equivalent)
F2	50 mm PCC (1:2:4) with 1:1 cement punning with floor hardener (Dreitop FH, mapetop, Sika Chapdur or equivalent) and water proffing (safe-crete or equivalent)
F3	Non-glazed Tile finish with 1:4 cement sand mortar

 Government of Nepal National Reconstruction Authority Central Level Project Implementation Unit - Education	PROJECT TITLE Disaster Resilience of Public School Infrastructure and Community (DR-PSIC)	SHEET TITLE FLOOR PLAN	CONSULTANT DESIGN & SUPERVISION CONSULTANT(DSC-1) ERMC / SILT/ PACE/ CAGE JV	PLANNING DESIGN TEAM		SHEET NO. AR-02
				ENGINEER: Salin Shrestha ARCHITECT: Sudeep Shukya DRAWN : Garima Nakarmi SCALE : 1:100	REVISION: CHECKED: APPROVED: DATE: May 2018	DWG CODE: 1-T5




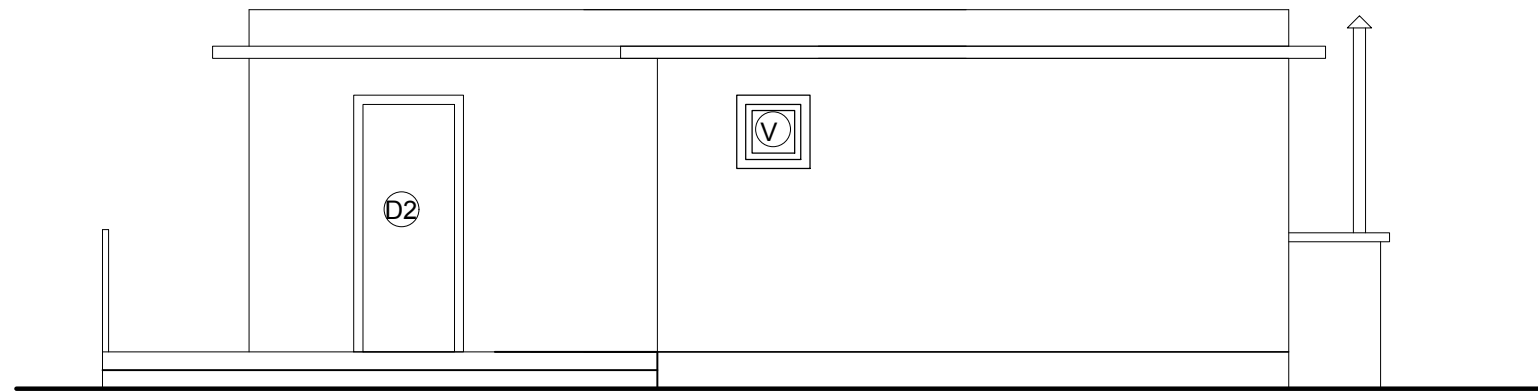


SECTION AT A-A

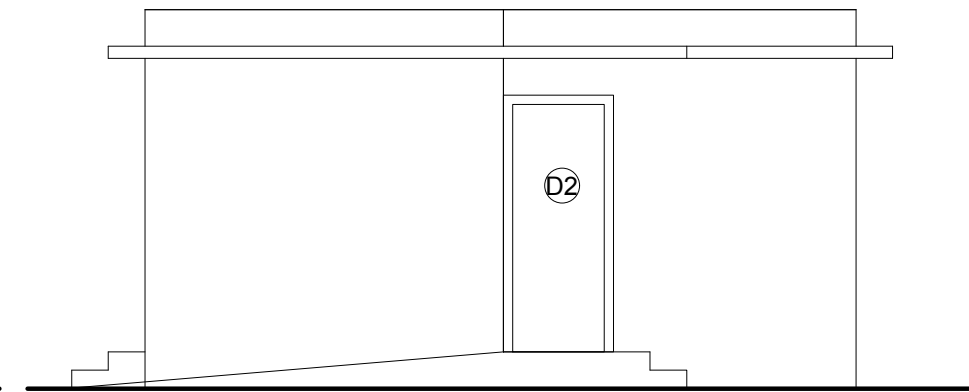


SECTION AT B-B

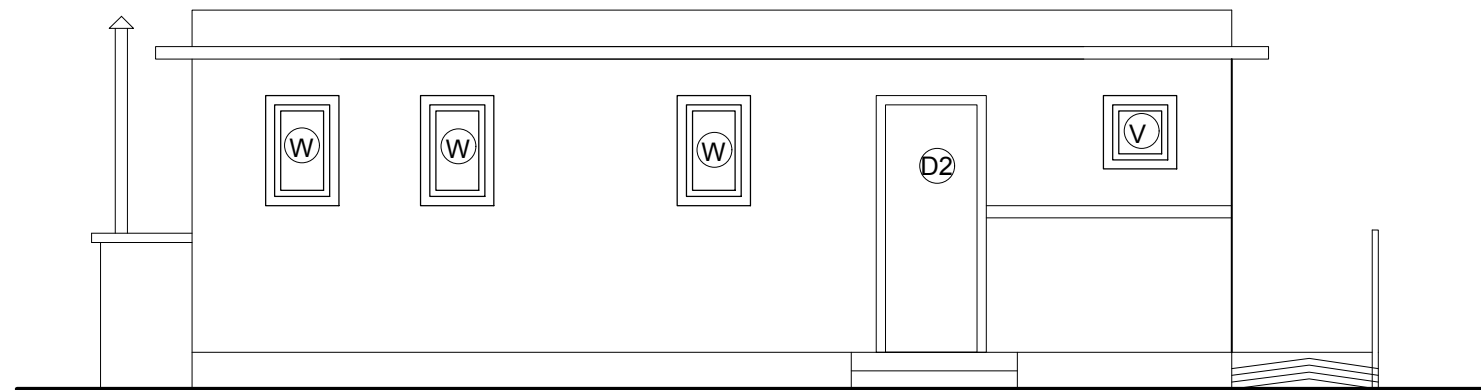
CLIENT	PROJECT TITLE	SHEET TITLE	CONSULTANT	PLANNING DESIGN TEAM	SHEET NO.
 Government of Nepal National Reconstruction Authority Central Level Project Implementation Unit - Education	Disaster Resilience of Public School Infrastructure and Community (DR-PSIC)	SECTION	DESIGN & SUPERVISION CONSULTANT(DSC-1) ERMC / SILT/ PACE/ CAGE JV <div style="border: 1px solid black; padding: 2px; display: inline-block; text-align: center;"> C A G E P A C E J V E R M C S I L T P A C E </div>	ENGINEER: Salin Shrestha	REVISION:
				ARCHITECT: Sudeep Shakya	CHECKED:
				DRAWN : Garima Nakarmi	APPROVED:
				SCALE : 1:100	PAPER SIZE : A3
					DATE: May 2018
					DWG CODE: I-T5



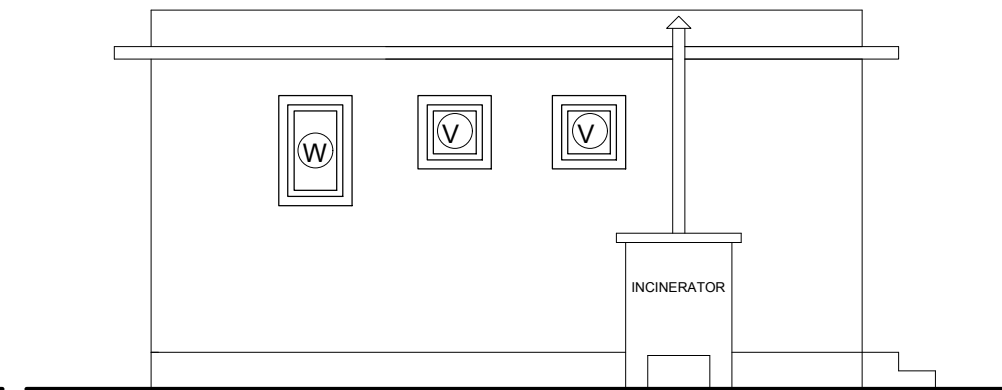
FRONT ELEVATION



LEFT ELEVATION




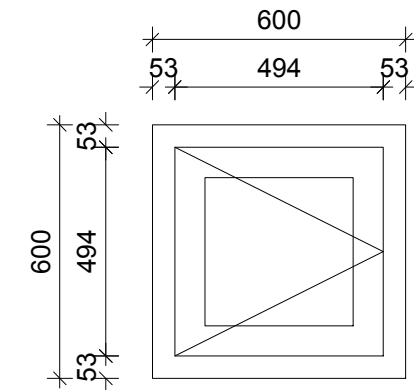
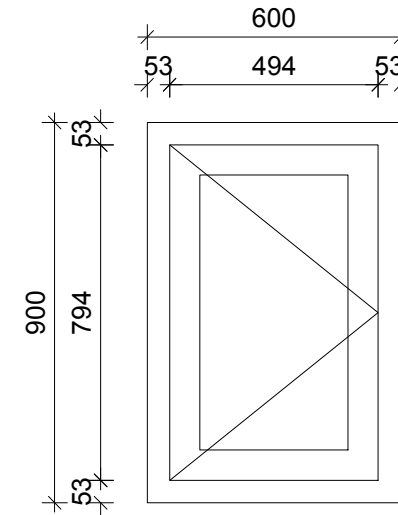
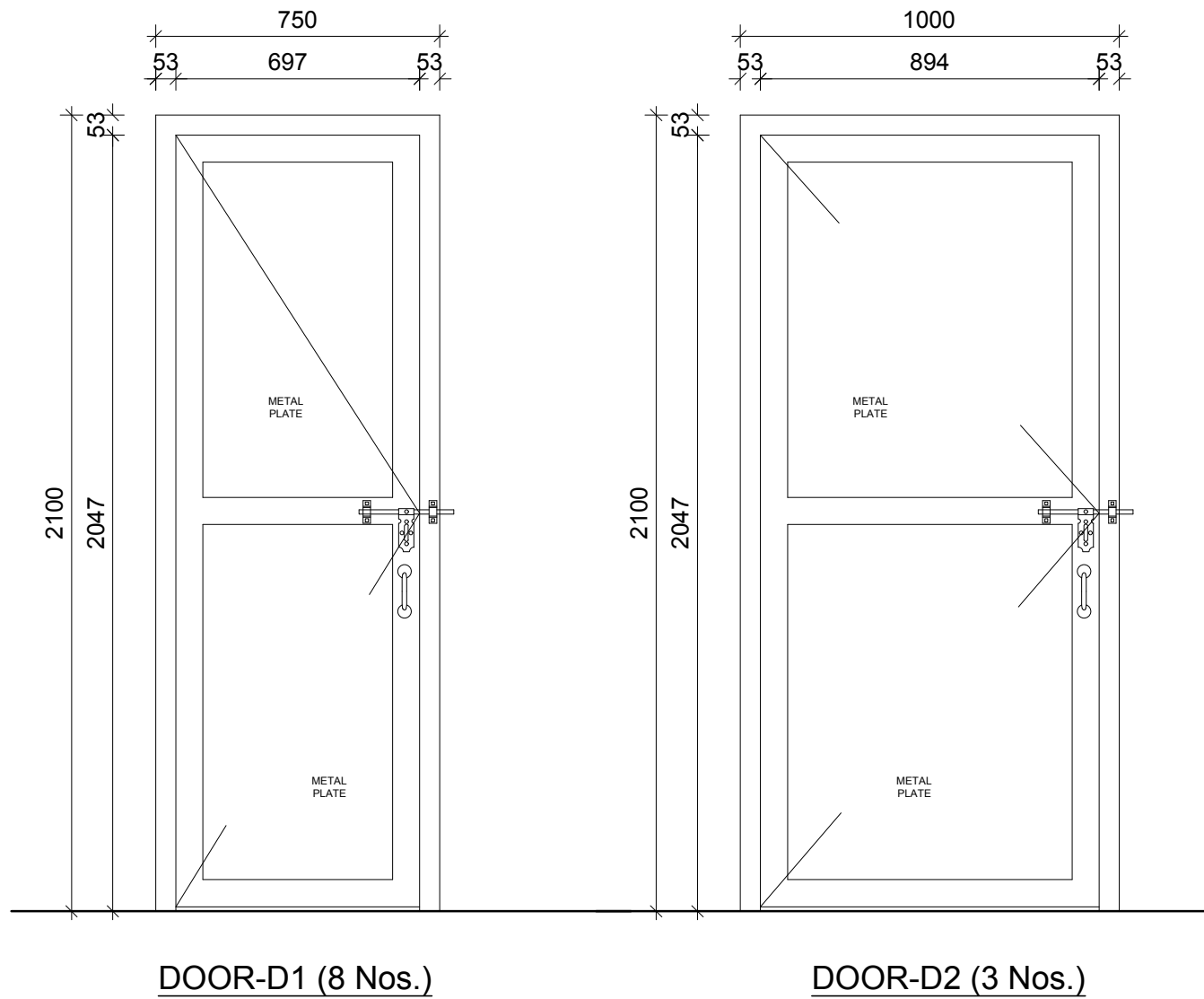
BACK ELEVATION



RIGHT ELEVATION


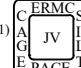
COLOR DETAILS		
DESCRIPTION	COLOR	TYPE
A. WALL		
Interior	Cream or Ivory	Distemper
Exterior	Light Yellow	Weather Coat
B. CEILING		
Interior	White	Distemper
Exterior	White	Weather Coat
C. PROJECTION		
	Grey	Weather Coat
D. DOORS & WINDOWS		
	Dark Brown	Powder Coated
E. PLINTH BAND		
	Grey	Weather Coat

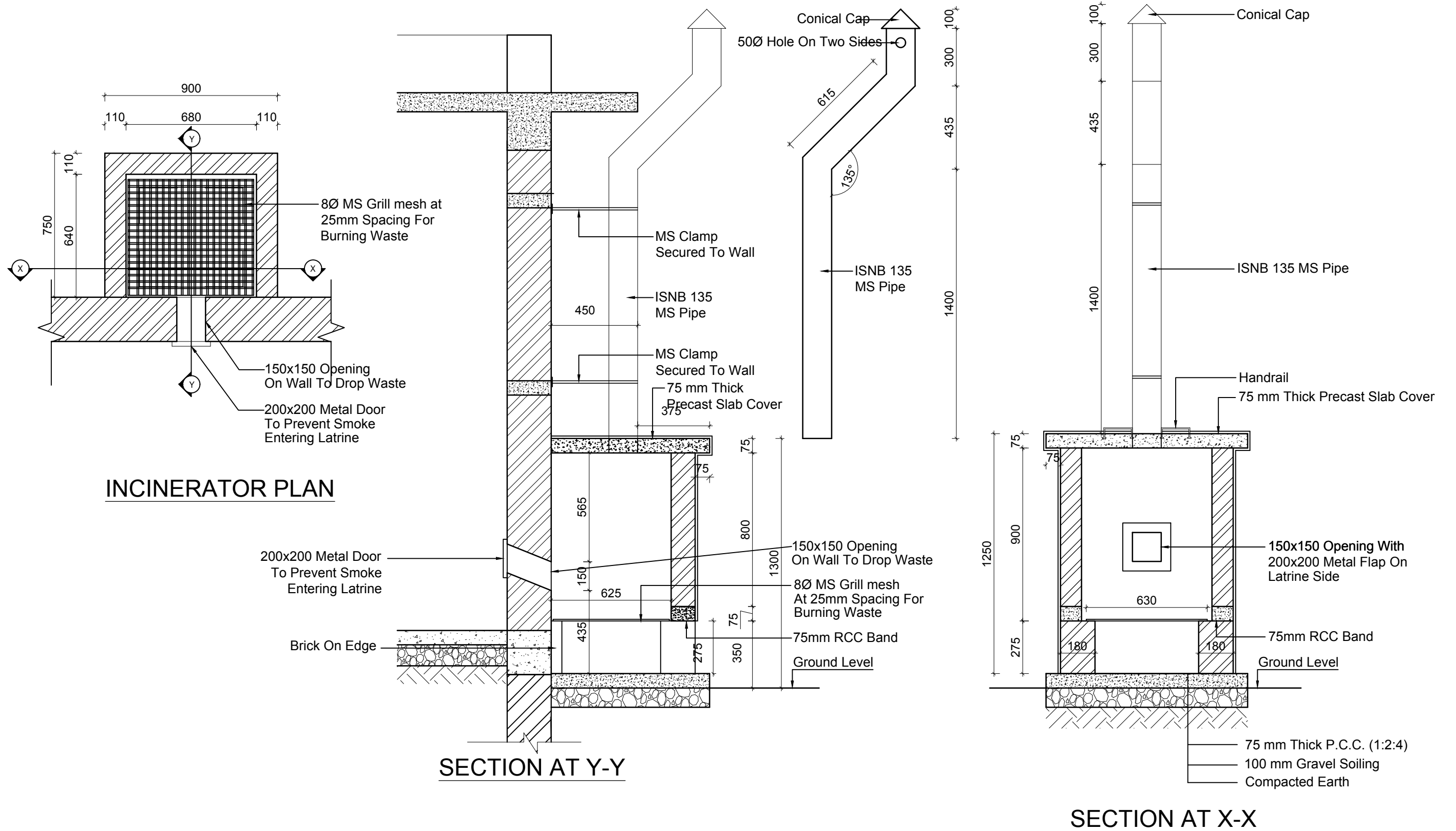
 Government of Nepal National Reconstruction Authority Central Level Project Implementation Unit - Education	PROJECT TITLE Disaster Resilience of Public School Infrastructure and Community (DR-PSIC)	SHEET TITLE ELEVATION	CONSULTANT DESIGN & SUPERVISION CONSULTANT(DSC-1) ERMC / SILT/ PACE/ CAGE JV	PLANNING DESIGN TEAM		SHEET NO. AR-04
				ENGINEER: Salin Shrestha ARCHITECT: Sudeep Shakya DRAWN : Garima Nakarmi SCALE : 1:100	REVISION: CHECKED: APPROVED: DATE: May 2018	DWG CODE: I-T5



OPENING SCHEDULE

S.N.	DESCRIPTION	SIZE	NO.
1.	DOOR - D1	750x2100	6
2.	DOOR - D2	1000x2100	3
3.	WINDOW - W	600x900	5
3.	VENTILATION - V	600x600	3

CLIENT	PROJECT TITLE	SHEET TITLE	CONSULTANT	PLANNING DESIGN TEAM	SHEET NO.			
 Government of Nepal National Reconstruction Authority Central Level Project Implementation Unit - Education	Disaster Resilience of Public School Infrastructure and Community (DR-PSIC)	OPENING SCHEDULE	DESIGN & SUPERVISION CONSULTANT(DSC-1) ERMC / SILT/ PACE/ CAGE JV 	ENGINEER: Salin Shrestha ARCHITECT: Sudeep Shukya DRAWN : Garima Nakarmi SCALE : 1:100 PAPER SIZE : A3 DATE: May 2018 <table border="1" style="float: right;"> <tr><td>REVISION:</td></tr> <tr><td>CHECKED:</td></tr> <tr><td>APPROVED:</td></tr> </table>	REVISION:	CHECKED:	APPROVED:	AR-05 DWG CODE: 1-T5
REVISION:								
CHECKED:								
APPROVED:								



 <p>Government of Nepal National Reconstruction Authority Central Level Project Implementation Unit - Education</p>	<p>PROJECT TITLE</p> <p>Disaster Resilience of Public School Infrastructure and Community (DR-PSIC)</p>	<p>SHEET TITLE</p> <p>INCINERATOR DETAILS</p>	<p>CONSULTANT</p> <p>DESIGN & SUPERVISION CONSULTANT(DSC-1) ERMC / SILT/ PACE/ CAGE JV</p>	<p>PLANNING DESIGN TEAM</p>		<p>SHEET NO.</p> <p>AR-06</p>
				<p>ENGINEER: Salin Shrestha</p> <p>ARCHITECT: Sudeep Shukya</p> <p>DRAWN: Garima Nakarmi</p> <p>SCALE : 1:100 PAPER SIZE : A3</p>	<p>REVISION:</p> <p>CHECKED:</p> <p>APPROVED:</p> <p>DATE: May 2018</p>	<p>DWG CODE:</p> <p>1-T5</p>