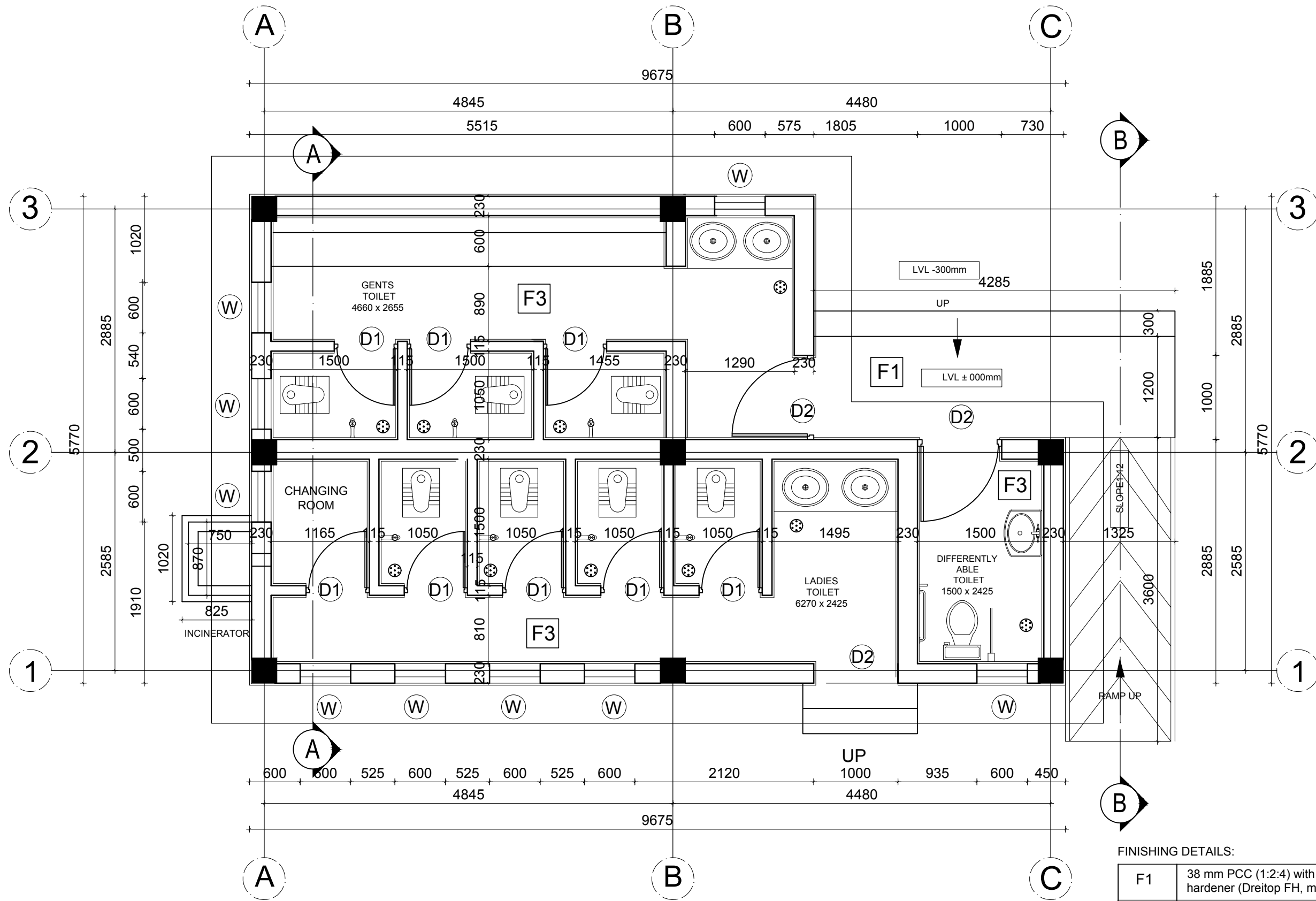


DISASTER RESILIENCE OF PUBLIC SCHOOL  
INFRASTRUCTURE AND COMMUNITY (DR-PSIC)

**TOILET BLOCK**

**1-T6**


**ARCHITECTURAL DRAWINGS**

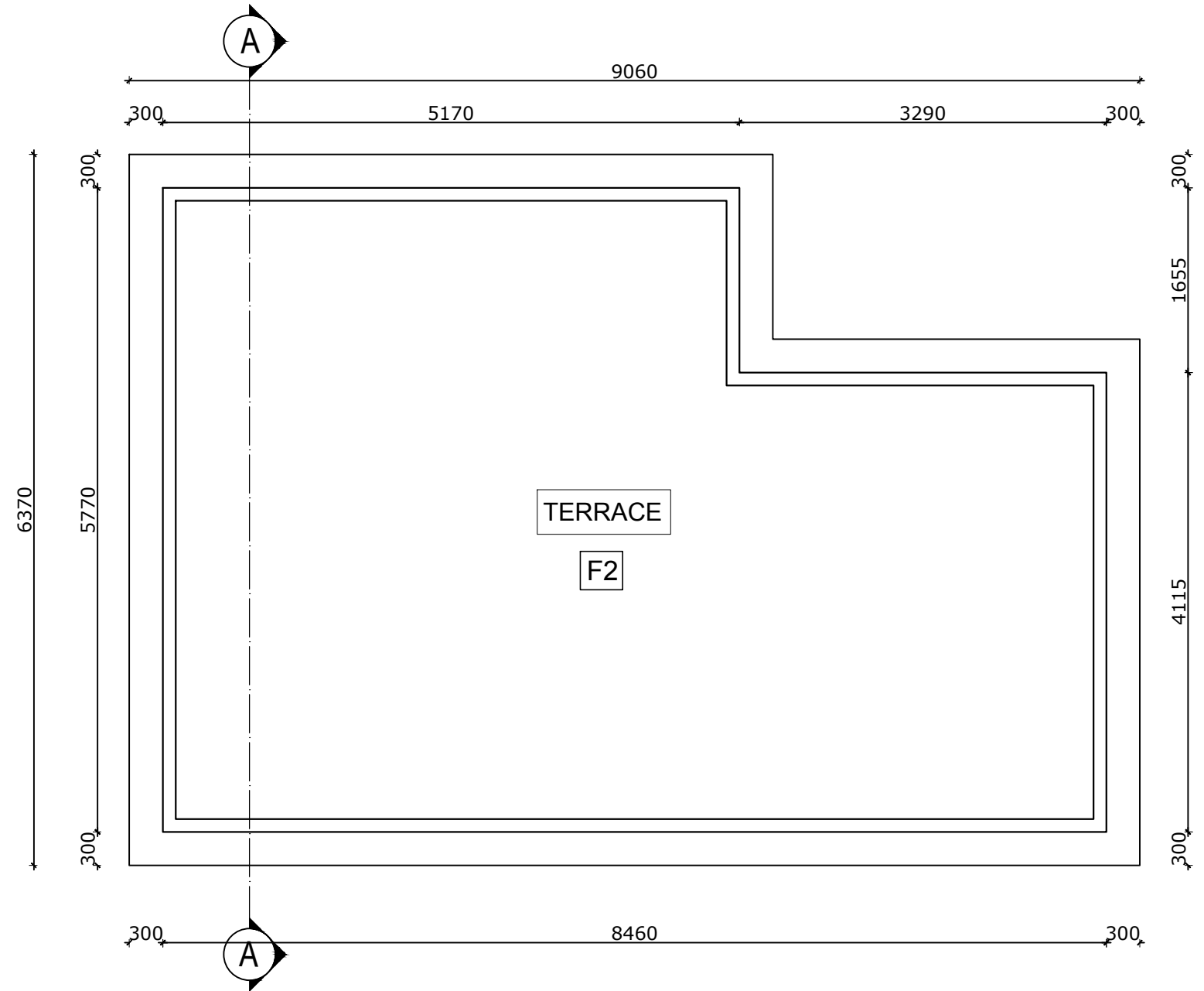


**GROUND FLOOR PLAN**  
 AREA=47.53 SQ.M.

**FINISHING DETAILS:**

F1	38 mm PCC (1:2:4) with 1:1 cement punning with floor hardener (Dreitop FH, mapetop, Sika Chapdur or equivalent)
F2	50 mm PCC (1:2:4) with 1:1 cement punning with floor hardener (Dreitop FH, mapetop, Sika Chapdur or equivalent) and water proffing (safe-crete or equivalent)
F3	Non-glazed Tile finish with 1:4 cement sand mortar

 Government of Nepal National Reconstruction Authority Central Level Project Implementation Unit - Education	PROJECT TITLE <b>Disaster Resilience of Public School Infrastructure and Community (DR-PSIC)</b>	SHEET TITLE <b>FLOOR PLAN</b>	CONSULTANT DESIGN & SUPERVISION CONSULTANT(DSC-1) ERMC / SILT/ PACE/ CAGE JV	PLANNING DESIGN TEAM		SHEET NO. <b>AR-01</b>  DWG CODE: 1-T6
				ENGINEER: Salin Shrestha ARCHITECT: Sudeep Shukya DRAWN : Garima Nakarmi	STRUCTURE ER: CHECKED: APPROVED:	

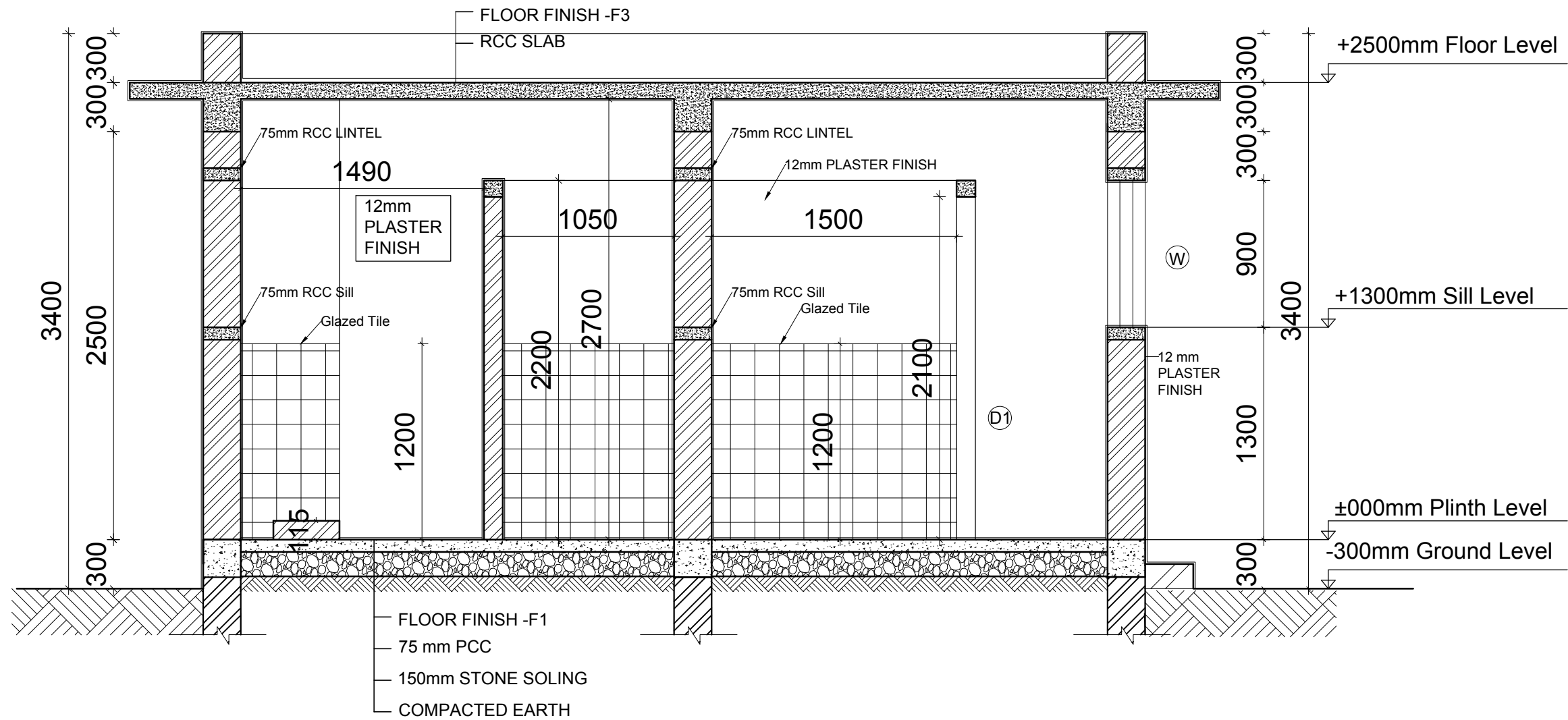


**ROOF PLAN**

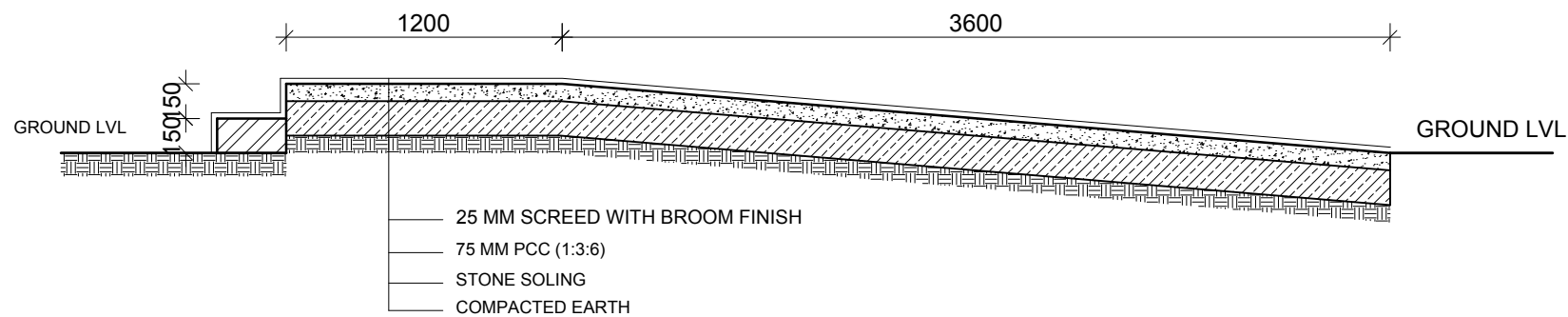
FINISHING DETAILS:

F1	38 mm PCC (1:2:4) with 1:1 cement punning with floor hardener (Dreitop FH, mapetop, Sika Chapdur or equivalent)
F2	50 mm PCC (1:2:4) with 1:1 cement punning with floor hardener (Dreitop FH, mapetop, Sika Chapdur or equivalent) and water proffing (safe-crete or equivalent)
F3	Non-glazed Tile finish with 1:4 cement sand mortar


CLIENT		PROJECT TITLE	SHEET TITLE	CONSULTANT	PLANNING DESIGN TEAM			SHEET NO. AR-02
	Government of Nepal National Reconstruction Authority Central Level Project Implementation Unit - Education	Disaster Resilience of Public School Infrastructure and Community (DR-PSIC)	FLOOR PLAN	DESIGN & SUPERVISION CONSULTANT(DSC-1) ERM/ SILT/ PACE/ CAGE JV	ENGINEER: Salin Shrestha	STRUCTURE ER:	DWG CODE: 1-T6	
					ARCHITECT: Sudeep Shukya	CHECKED:		
						DRAWN : Garima Nakarmi		APPROVED:
					SCALE : 1:100	PAPER SIZE : A3	DATE: March 2018	

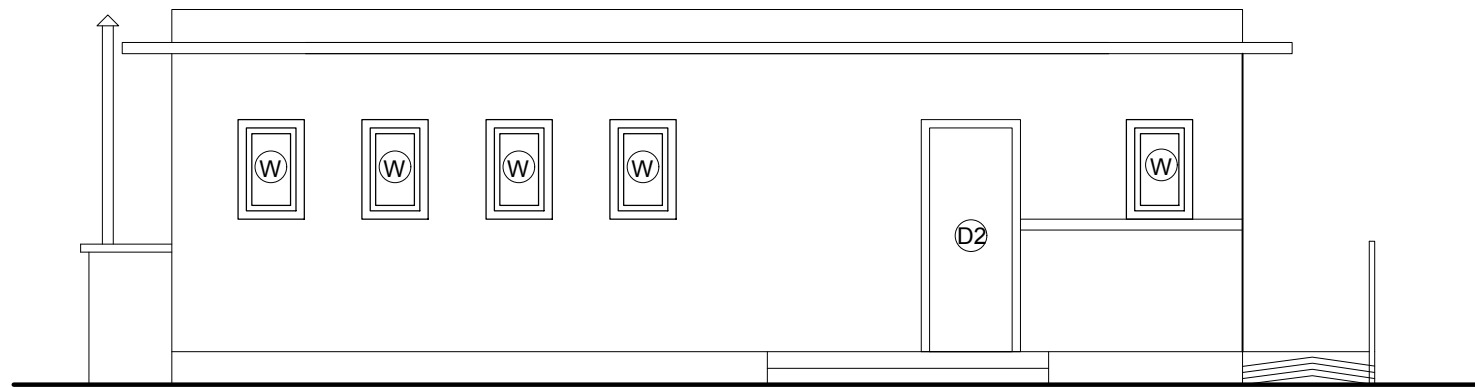


SECTION AT A-A

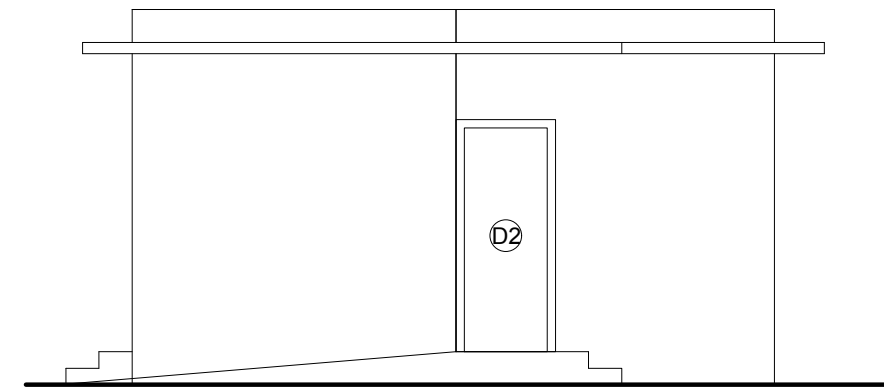


SECTION AT B-B

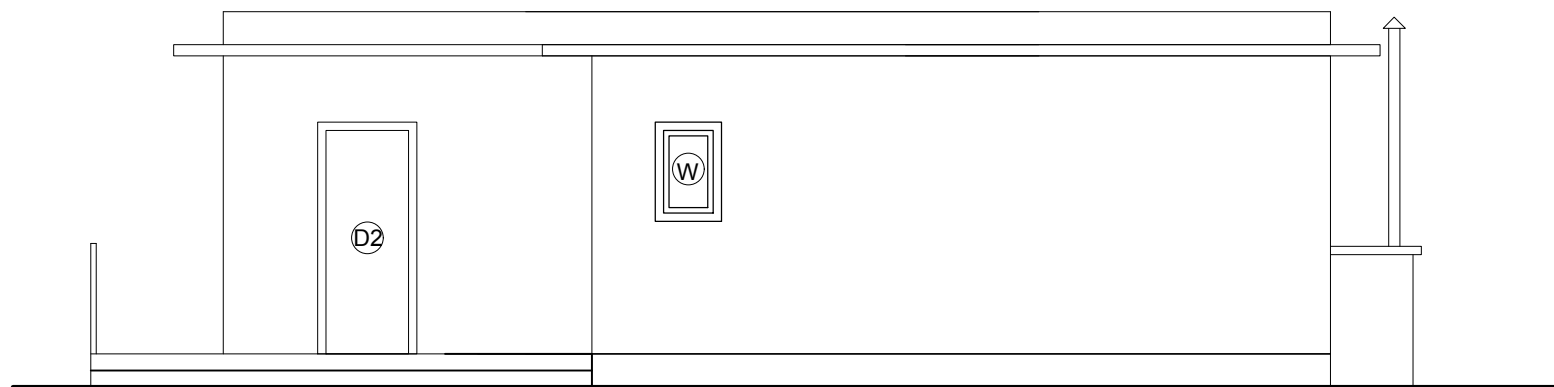
CLIENT	PROJECT TITLE	SHEET TITLE	CONSULTANT	PLANNING DESIGN TEAM	SHEET NO. AR-03
 Government of Nepal National Reconstruction Authority Central Level Project Implementation Unit - Education	Disaster Resilience of Public School Infrastructure and Community (DR-PSIC)	SECTION	DESIGN & SUPERVISION CONSULTANT(DSC-1) ERMIC / SILT/ PACE/ CAGE JV	ENGINEER: Salin Shrestha	STRUCTURE ER:
				ARCHITECT: Sudeep Shukya DRAWN : Garima Nakarmi SCALE : 1:100 PAPER SIZE : A3 DATE: March 2018	CHECKED: APPROVED:
					DWG CODE: 1-T6



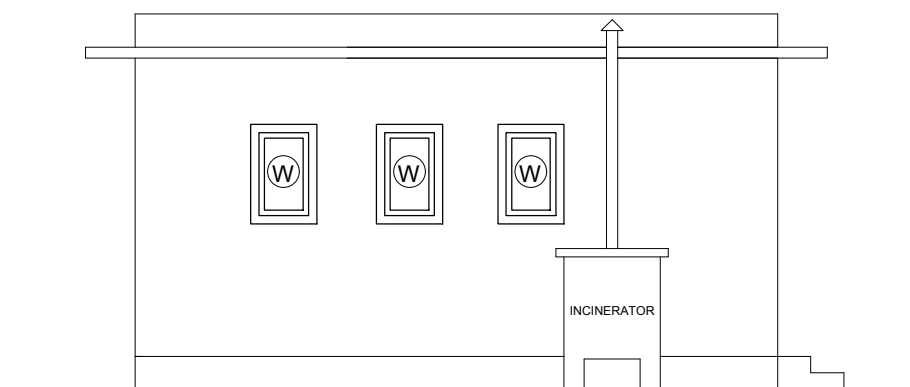
BACK ELEVATION



RIGHT ELEVATION




FRONT ELEVATION

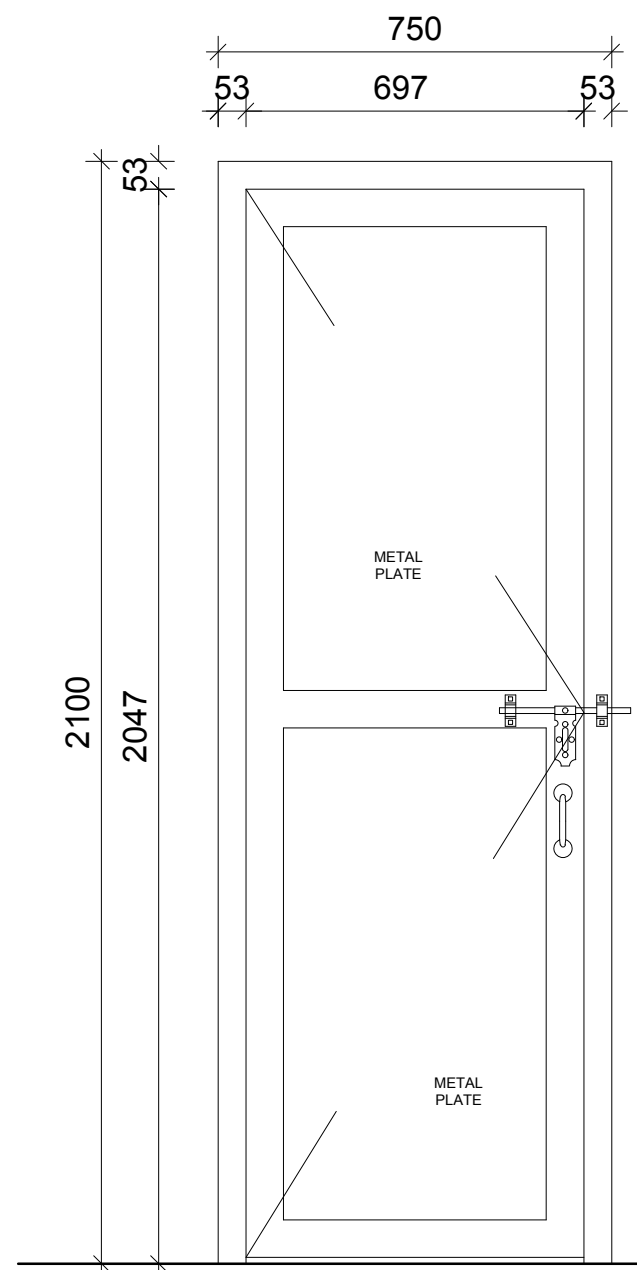


LEFT ELEVATION

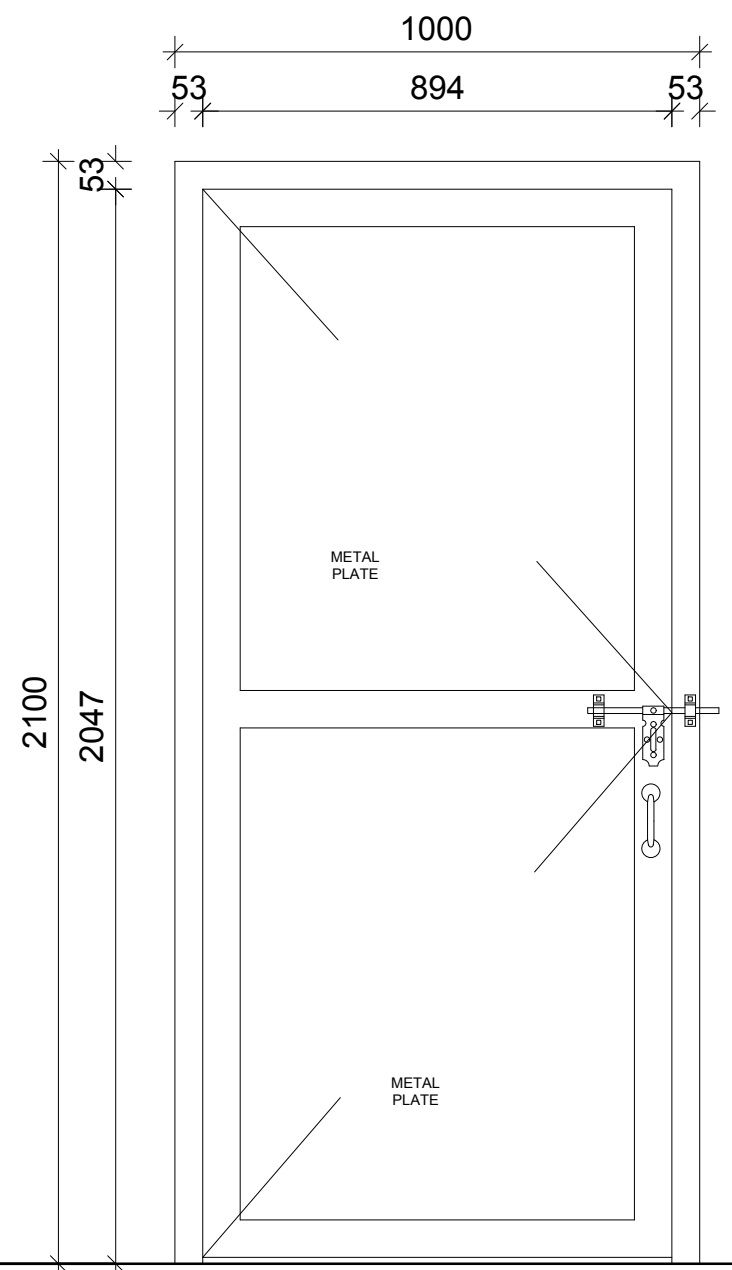
COLOR DETAILS

DESCRIPTION	COLOR	TYPE
<b>A. WALL</b>		
Interior	Cream or Ivory	Distemper
Exterior	Light Yellow	Weather Coat
<b>B. CEILING</b>		
Interior	White	Distemper
Exterior	White	Weather Coat
<b>C. PROJECTION</b>	Grey	Weather Coat
<b>D. DOORS &amp; WINDOWS</b>	Dark Brown	Powder Coated
<b>E. PLINTH BAND</b>	Grey	Weather Coat

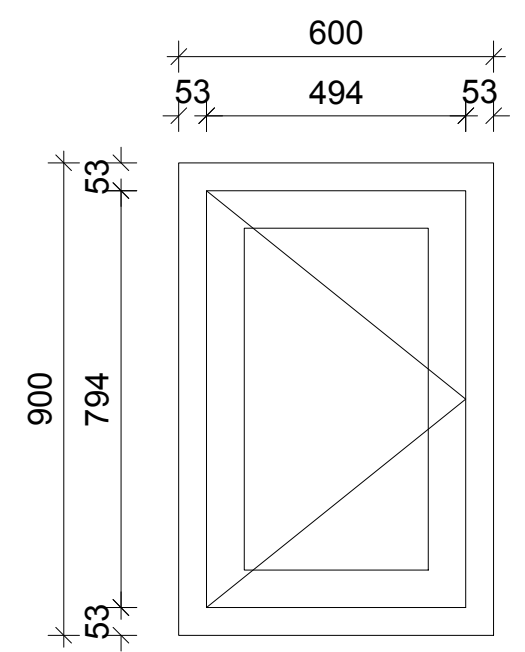
CLIENT		PROJECT TITLE		SHEET TITLE		CONSULTANT		PLANNING DESIGN TEAM		SHEET NO. AR-01		
	Government of Nepal National Reconstruction Authority Central Level Project Implementation Unit - Education		Disaster Resilience of Public School Infrastructure and Community (DR-PSIC)		ELEVATION		DESIGN & SUPERVISION CONSULTANT(DSC-1) ERMIC / SILT/ PACE/ CAGE JV		ENGINEER: Salin Shrestha ARCHITECT: Sudeep Shukla DRAWN: Garima Nakarmi SCALE : 1:100		STRUCTURE ER: CHECKED: APPROVED: DATE: March 2018	
											DWG CODE: 1-T6	



**DOOR-D1 (8 Nos.)**



**DOOR-D2 (3 Nos.)**

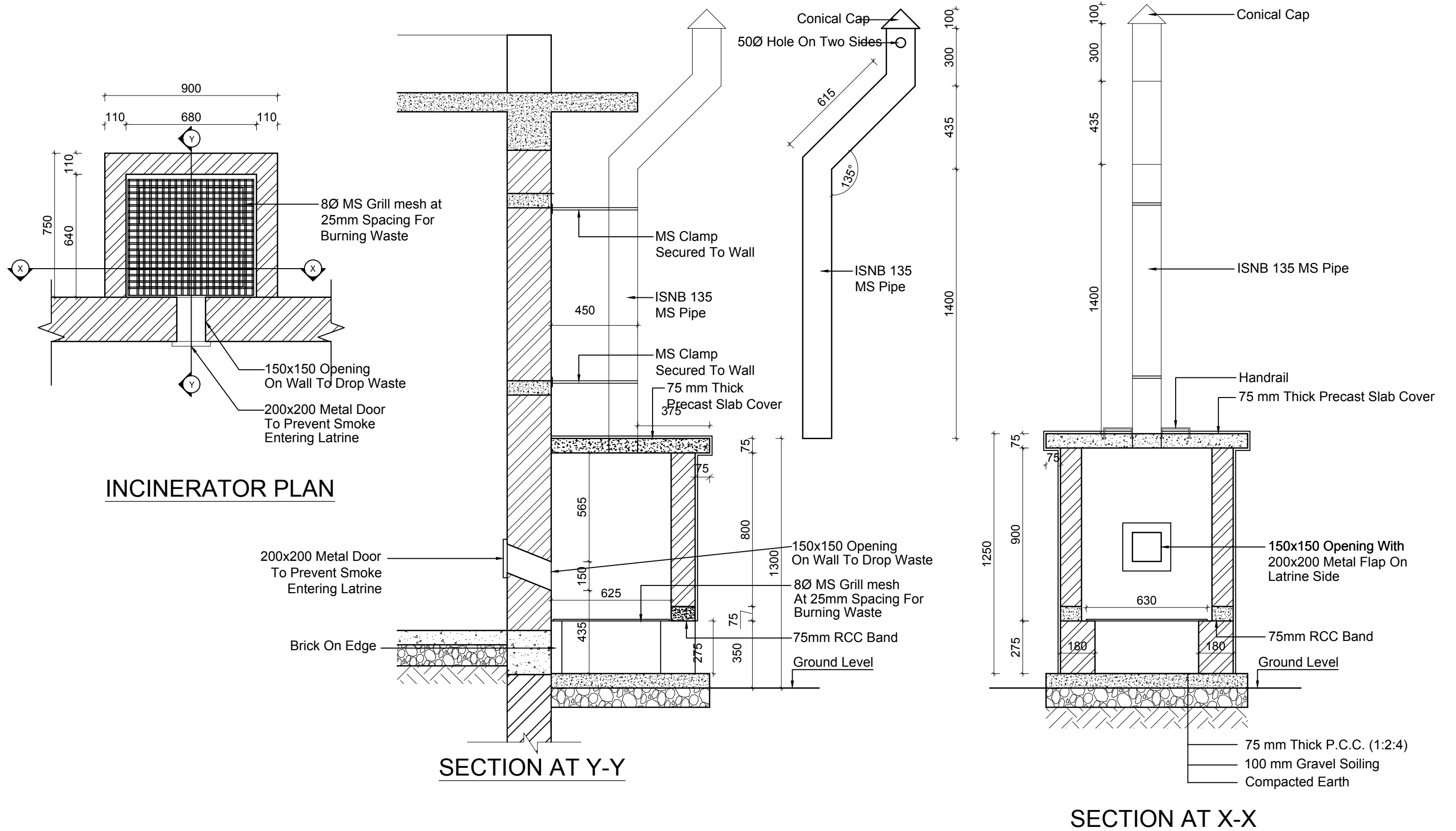



**WINDOW-W (9 Nos.)**

**OPENING SCHEDULE**

S.N.	DESCRIPTION	SIZE	NO.
1.	DOOR - D1	750x2100	8
2.	DOOR - D2	1000x2100	3
3.	WINDOW - W	600x900	9

CLIENT		PROJECT TITLE		SHEET TITLE		CONSULTANT		PLANNING DESIGN TEAM		SHEET NO. AR-01
	Government of Nepal National Reconstruction Authority Central Level Project Implementation Unit - Education		Disaster Resilience of Public School Infrastructure and Community (DR-PSIC)		OPENING SCHEDULE				ENGINEER: Salin Shrestha	
					DESIGN & SUPERVISION CONSULTANT(DSC-1) ERMCS / SILT/ PACE/ CAGE JV				STRUCTURE ER:	
									CHECKED:	
								DRAWN : Garima Nakarmi		APPROVED:
								SCALE : 1:100		PAPER SIZE : A3
								DATE: March 2018		DWG CODE: 1-T6



 <p>Government of Nepal National Reconstruction Authority Central Level Project Implementation Unit - Education</p>	<p>PROJECT TITLE</p> <p><b>Disaster Resilience of Public School Infrastructure and Community (DR-PSIC)</b></p>	<p>SHEET TITLE</p> <p><b>INCINERATOR DETAILS</b></p>	<p>CONSULTANT</p> <p>DESIGN &amp; SUPERVISION CONSULTANT(DSC-1) ERMC / SILT/ PACE/ CAGE JV</p>	<p>PLANNING DESIGN TEAM</p>		<p>SHEET NO.</p> <p><b>AR-06</b></p>
				<p>ENGINEER: Salin Shrestha</p> <p>ARCHITECT: Sudeep Shukya</p> <p>DRAWN: Garima Nakarmi</p> <p>SCALE : 1:100</p>	<p>REVISION:</p> <p>CHECKED:</p> <p>APPROVED:</p> <p>DATE: May 2018</p>	<p>DWG CODE:</p> <p>1-T6</p>