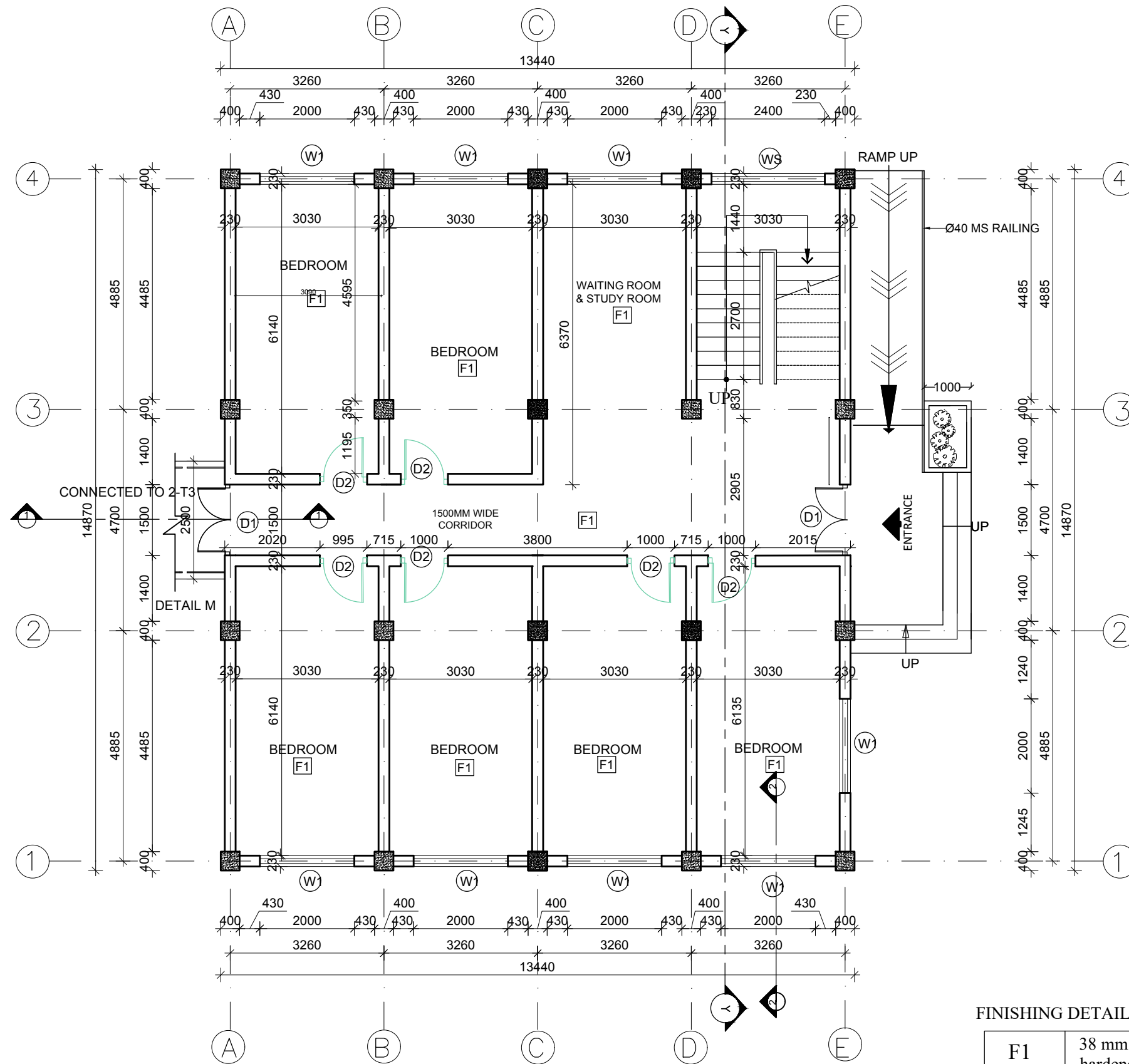


DISASTER RESILIENCE OF PUBLIC SCHOOL  
INFRASTRUCTURE AND COMMUNITY (DR-PSIC)


**TOILET BLOCK**  
**2-H-30**  
**ARCHITECTURAL DRAWINGS**

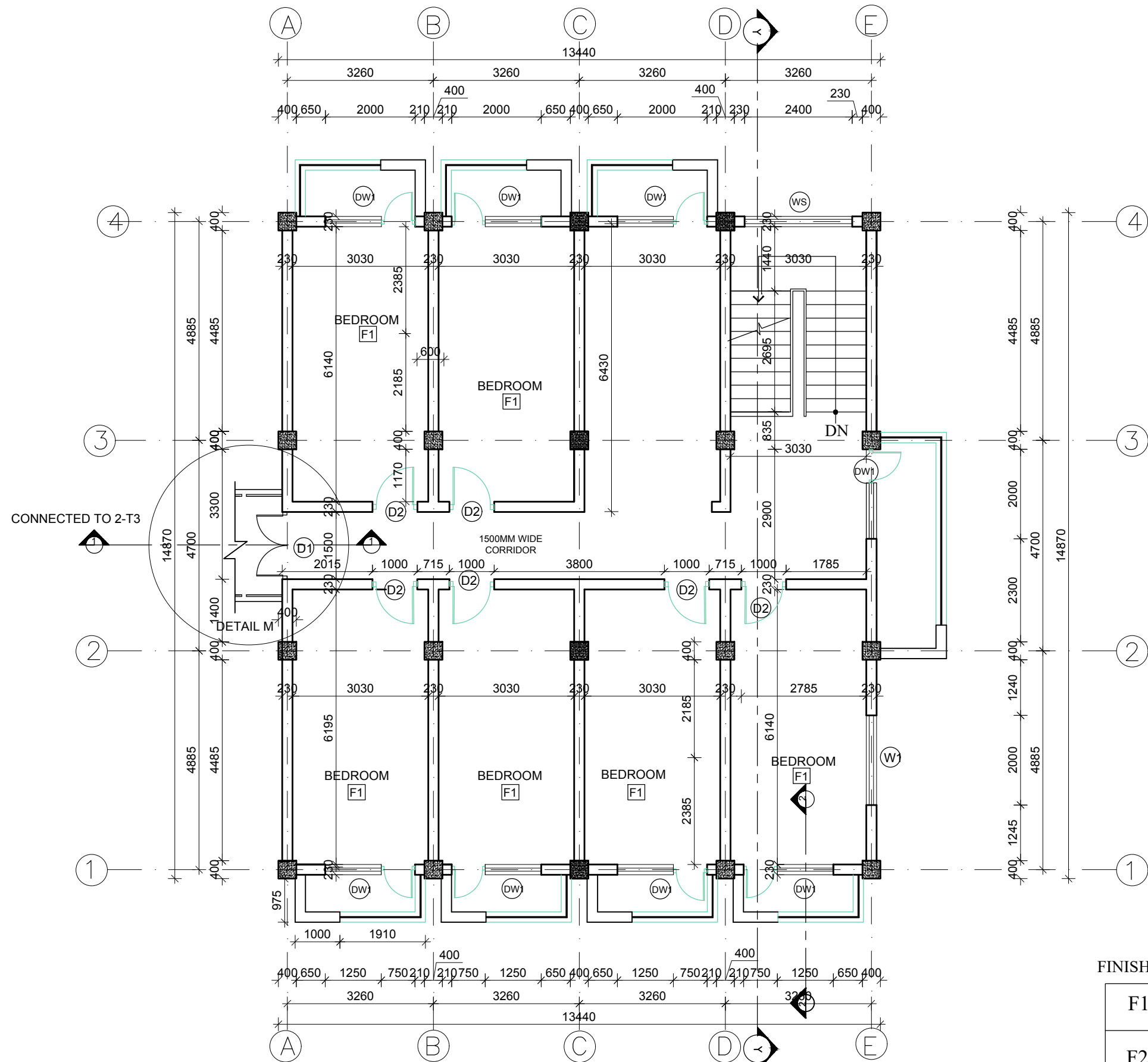


**GROUND FLOOR PLAN**  
AREA: 198.44 SQ.M.

**FINISHING DETAILS:**

F1	38 mm PCC (1:2:4) with 1:1 cement punning with floor hardener (Dreitop FH, mapetop, Sika Chapdur or equivalent)
F2	50 mm PCC (1:2:4) with 1:1 cement punning with floor hardener (Dreitop FH, mapetop, Sika Chapdur or equivalent) and water proofing (safe-crete or equivalent)


 CLIENT Government of Nepal National Reconstruction Authority Central Level Project Implementation Unit- Education	PROJECT TITLE <b>Disaster Resilience of Public School Infrastructure and Community (DR-PSIC)</b>	SHEET TITLE GROUND FLOOR PLAN	CONSULTANT DESIGN & SUPERVISION CONSULTANT(DSC-1) ERMC / SILT/ PACE/ CAGE JV	PLANNING DESIGN TEAM		SHEET NO. AR-01
				ENGINEER: Er.Salin Shrestha ARCHITECT: Ar.Suceep Shalya DRAWN : Ar. Srishti Paudel	STRUCTURE ER: Er. Sagar Krishna Joshi CHECKED: APPROVED:	DWG CODE: 2-H-30
				SCALE : 1:100	PAPER SIZE : A3	DATE: May 2018

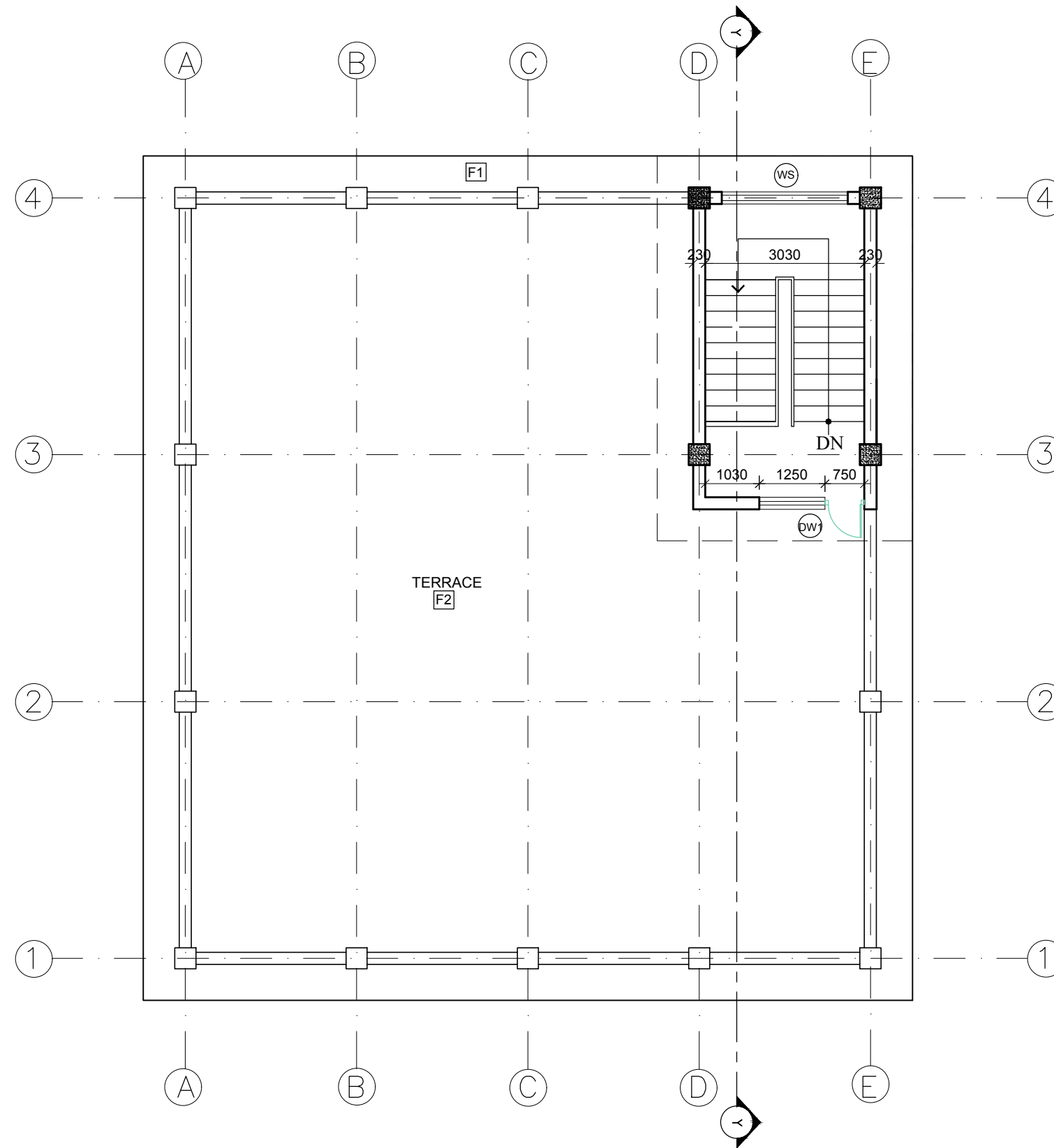


**FIRST FLOOR PLAN**  
 AREA=198.44 SQ.M.

**FINISHING DETAILS:**

F1	38 mm PCC (1:2:4) with 1:1 cement punning with floor hardener (Dreitop FH, mapetop, Sika Chapdur or equivalent)
F2	50 mm PCC (1:2:4) with 1:1 cement punning with floor hardener (Dreitop FH, mapetop, Sika Chapdur or equivalent) and water proofing (safe-crete or equivalent)


 CLIENT Government of Nepal National Reconstruction Authority Central Level Project Implementation Unit- Education	PROJECT TITLE <b>Disaster Resilience of Public School Infrastructure and Community (DR-PSIC)</b>	SHEET TITLE <b>FIRST FLOOR PLAN</b>	CONSULTANT DESIGN & SUPERVISION CONSULTANT(DSC-1) ERMC / SILT / PACE / CAGE JV	PLANNING DESIGN TEAM		SHEET NO. <b>AR-02</b>  DWG CODE: <b>2-H-30</b>
				ENGINEER: Er.Salin Shrestha ARCHITECT: Ar.Suceep Shalya DRAWN : Ar. Srishti Paudel SCALE : 1:100	STRUCTURE ER: Er. Sagar Krishna Joshi CHECKED: APPROVED: DATE: May 2018	

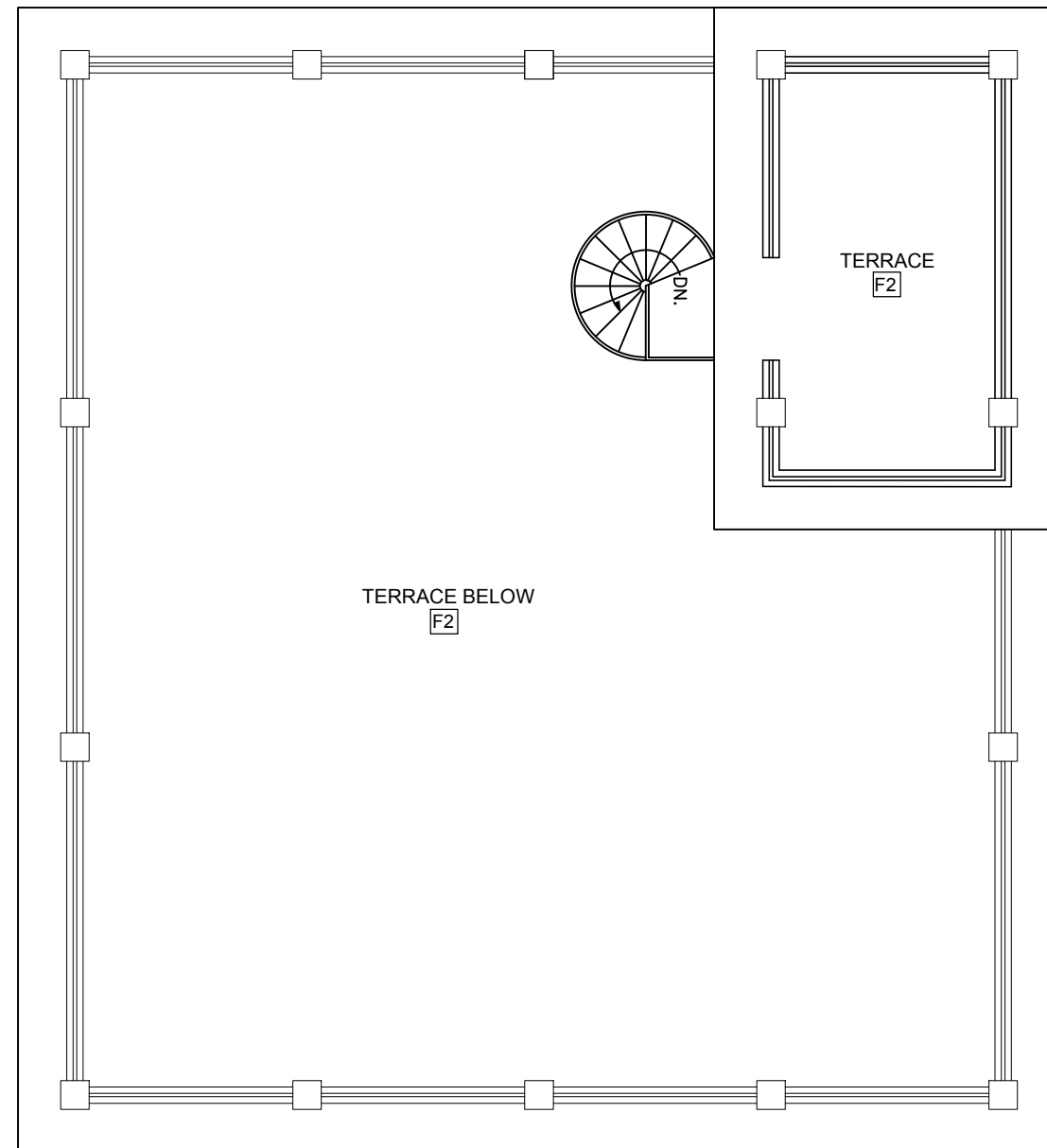


**TOP FLOOR PLAN**

**FINISHING DETAILS:**

F1	38 mm PCC (1:2:4) with 1:1 cement punning with floor hardener (Dreitop FH, mapetop, Sika Chapdur or equivalent)
F2	50 mm PCC (1:2:4) with 1:1 cement punning with floor hardener (Dreitop FH, mapetop, Sika Chapdur or equivalent) and water proofing (safe-crete or equivalent)

 Government of Nepal National Reconstruction Authority Central Level Project Implementation Unit- Education	<b>PROJECT TITLE</b> Disaster Resilience of Public School Infrastructure and Community (DR-PSIC)	<b>SHEET TITLE</b> TOP FLOOR PLAN	<b>CONSULTANT</b> DESIGN & SUPERVISION CONSULTANT(DSC-1) ERMC / SILT/ PACE/ CAGE JV	<b>PLANNING DESIGN TEAM</b>		<b>SHEET NO.</b> AR-03
				ENGINEER: Er.Salin Shrestha ARCHITECT: Ar.Sucep Shalya DRAWN : Ar. Srishti Paudel	STRUCTURE ER: Er. Sagar Krishna Joshi CHECKED: APPROVED:	SCALE : 1:100 PAPER SIZE : A3 DATE: May 2018

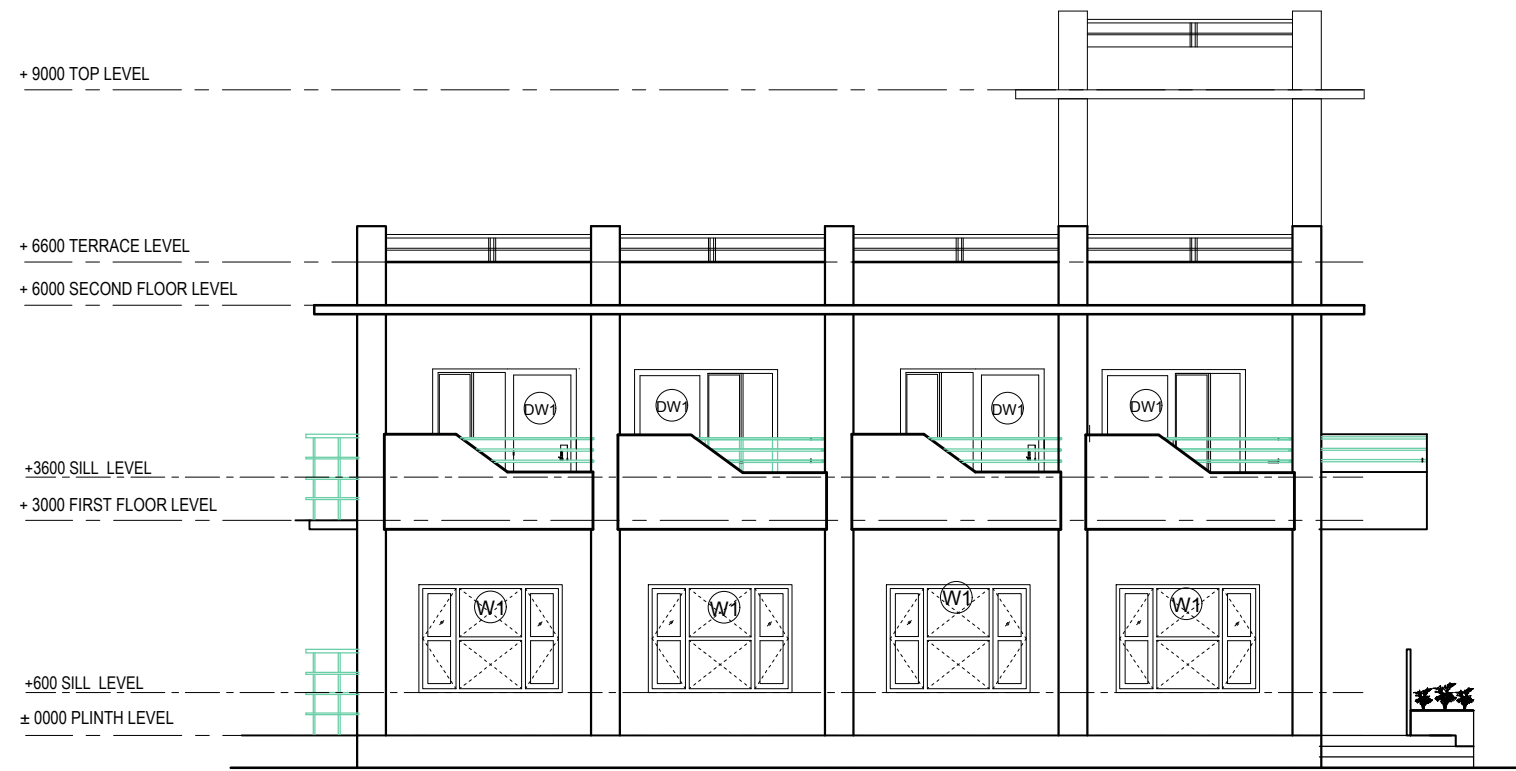


**ROOF PLAN**

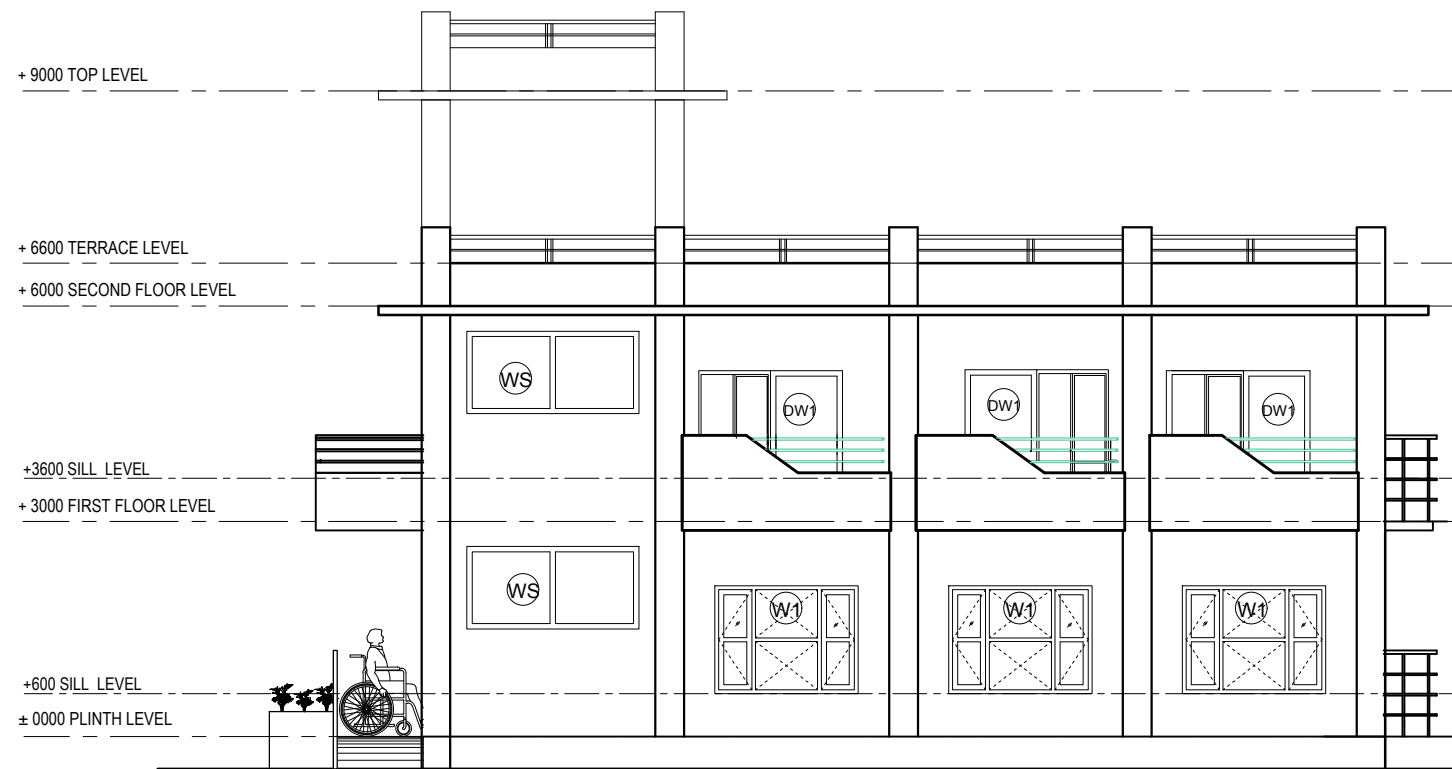
**FINISHING DETAILS:**

F1	38 mm PCC (1:2:4) with 1:1 cement punning with floor hardener (Dreitop FH, mapetop, Sika Chapdur or equivalent)
F2	50 mm PCC (1:2:4) with 1:1 cement punning with floor hardener (Dreitop FH, mapetop, Sika Chapdur or equivalent) and water proofing (safe-crete or equivalent)

 Government of Nepal National Reconstruction Authority Central Level Project Implementation Unit- Education	<b>PROJECT TITLE</b> Disaster Resilience of Public School Infrastructure and Community (DR-PSIC)	<b>SHEET TITLE</b> ROOF PLAN AND COLOR DETAILS	<b>CONSULTANT</b> DESIGN & SUPERVISION CONSULTANT(DSC-1) ERMC / SILT/ PACE/ CAGE JV	<b>PLANNING DESIGN TEAM</b>			<b>SHEET NO.</b> AR-04
				ENGINEER: Er.Salin Shrestha ARCHITECT: Ar.Suceep Shalya DRAWN : Ar. Srishti Paudel	STRUCTURE ER: Er. Sagar Krishna Joshi CHECKED: APPROVED:	SCALE : PAPER SIZE : A3 DATE: May 2018	<b>DWG CODE:</b> 2-H-30




**FRONT ELEVATION**

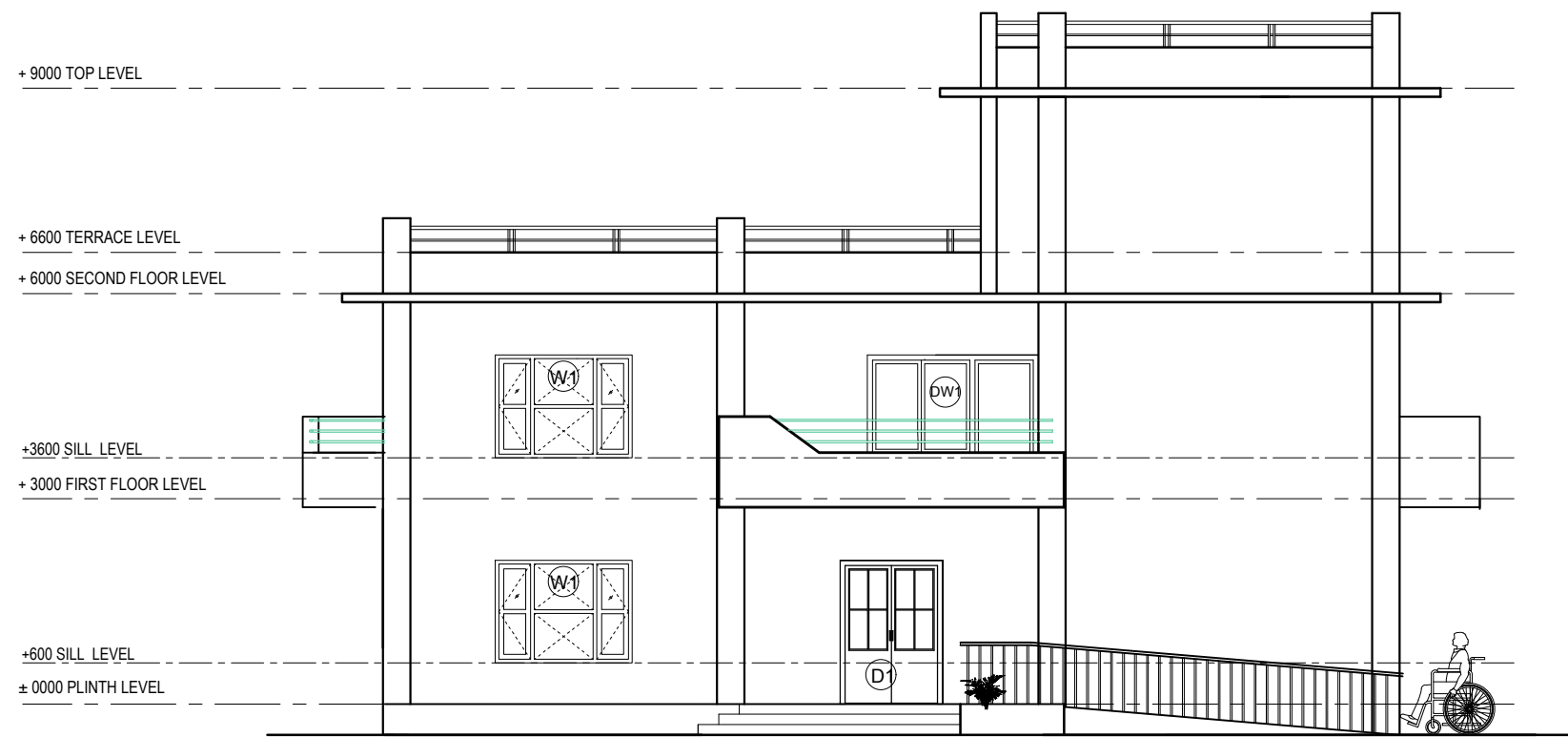


**BACK ELEVATION**

**COLOR DETAILS**

DESCRIPTION	COLOR	TYPE
<b>A. WALL</b>		
Interior	Cream or Ivory	Distemper
Exterior	Light Yellow	Weather Coat
<b>B. CEILING</b>		
Interior	White	Distemper
Exterior	White	Weather Coat
<b>C. PROJECTION</b>		
	Grey	Weather Coat
<b>D. DOORS &amp; WINDOWS</b>		
	Dark Brown	Powder Coated
<b>E. PLINTH BAND</b>		
	Grey	Weather Coat



CLIENT	PROJECT TITLE	SHEET TITLE	CONSULTANT	PLANNING DESIGN TEAM		SHEET NO. AR-05
 Government of Nepal National Reconstruction Authority Central Level Project Implementation Unit- Education	<b>Disaster Resilience of Public School          Infrastructure and Community (DR-PSIC)</b>	<b>ELEVATIONS</b>	DESIGN & SUPERVISION CONSULTANT(DSC-1) ERM / SILT/ PACE/ CAGE JV	ENGINEER: Er. Salin Shrestha	STRUCTURE ER: Er. Sagar Krishna Joshi	DWG CODE: 2-H-30
				ARCHITECT: Ar. Sudeep Shukya	CHECKED:	
				DRAWN : Ar. Srishti Paudel	APPROVED:	
		SCALE : 1:100	PAPER SIZE : A3	DATE: May 2018		

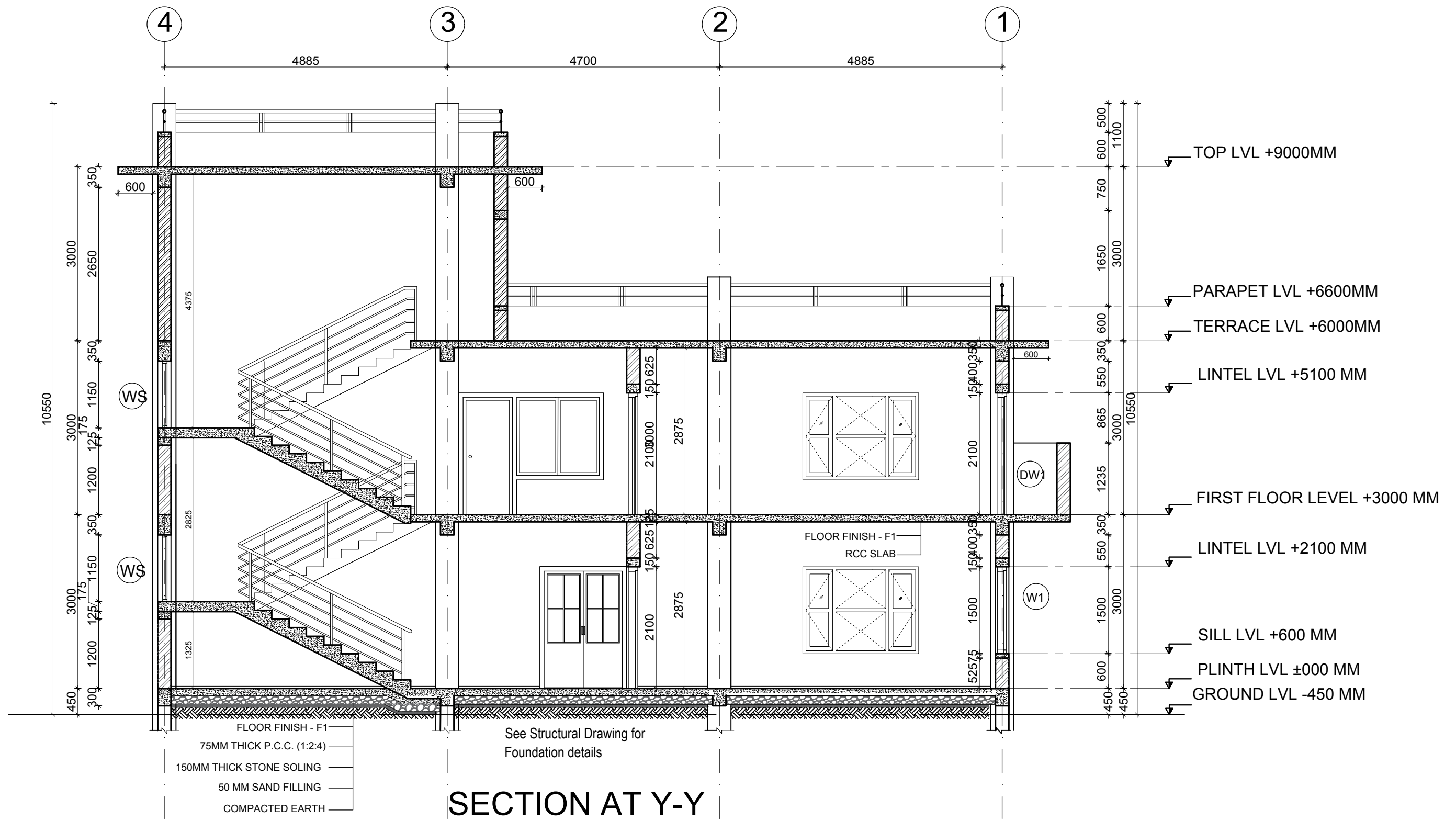


**SIDE ELEVATION 1**




**SIDE ELEVATION 2**

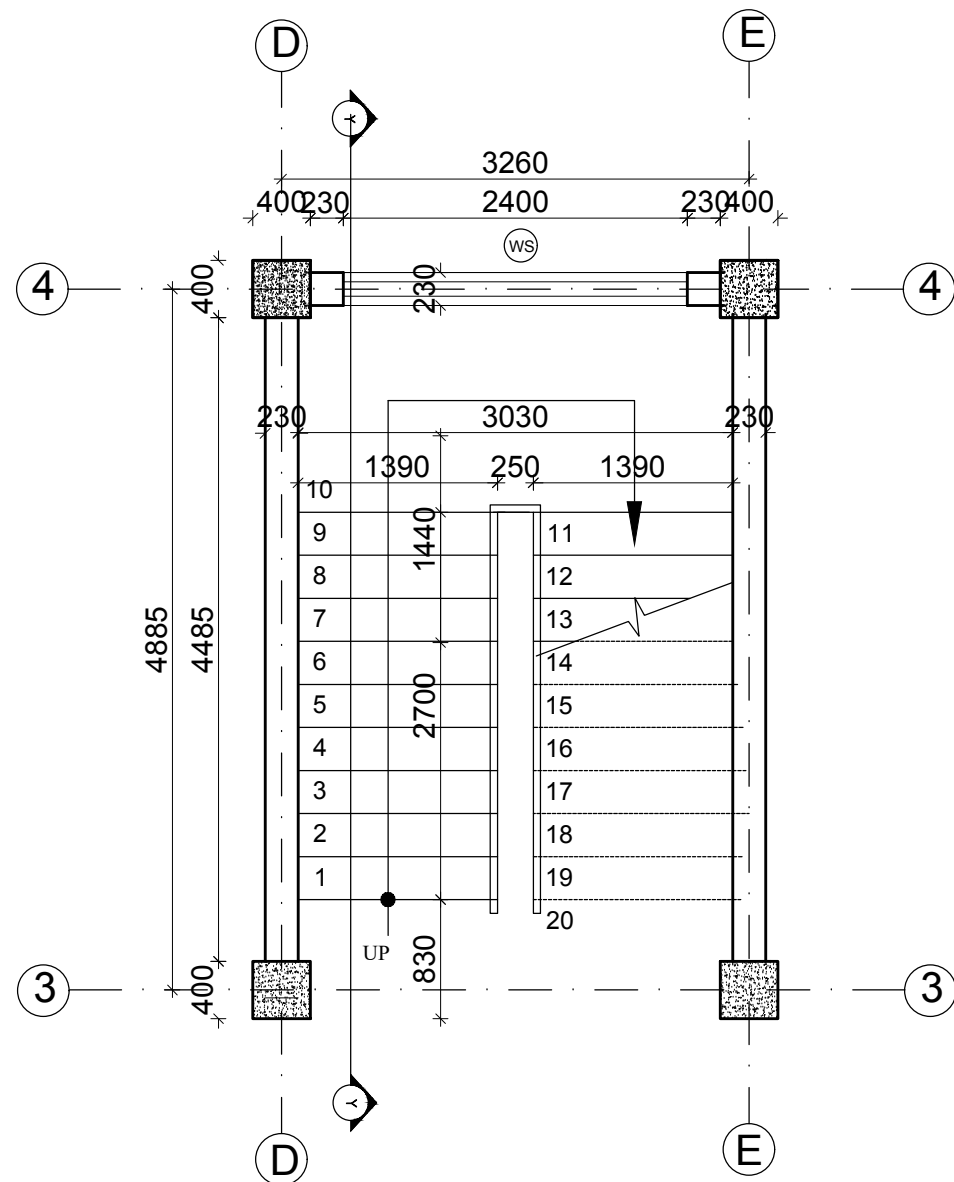
<p>CLIENT</p>  <p>Government of Nepal National Reconstruction Authority Central Level Project Implementation Unit- Education</p>	<p>PROJECT TITLE</p> <p><b>Disaster Resilience of Public School Infrastructure and Community (DR-PSIC)</b></p>	<p>SHEET TITLE</p> <p><b>ELEVATIONS</b></p>	<p>CONSULTANT</p> <p>DESIGN &amp; SUPERVISION CONSULTANT(DSC-1) ERM / SILT/ PACE/ CAGE JV</p> 	<p>PLANNING DESIGN TEAM</p> <table border="1"> <tr> <td>ENGINEER: Er. Salin Shrestha</td> <td>STRUCTURE ER: Er. Sagar Krishna Joshi</td> </tr> <tr> <td>ARCHITECT: Ar. Sudeep Shukya</td> <td>CHECKED:</td> </tr> <tr> <td>DRAWN : Ar. Srishti Paudel</td> <td>APPROVED:</td> </tr> <tr> <td>SCALE : 1:100</td> <td>PAPER SIZE : A3</td> </tr> <tr> <td colspan="2">DATE: May 2018</td> </tr> </table>	ENGINEER: Er. Salin Shrestha	STRUCTURE ER: Er. Sagar Krishna Joshi	ARCHITECT: Ar. Sudeep Shukya	CHECKED:	DRAWN : Ar. Srishti Paudel	APPROVED:	SCALE : 1:100	PAPER SIZE : A3	DATE: May 2018		<p>SHEET NO. <b>AR-06</b></p> <p>DWG CODE: <b>2-H-30</b></p>
ENGINEER: Er. Salin Shrestha	STRUCTURE ER: Er. Sagar Krishna Joshi														
ARCHITECT: Ar. Sudeep Shukya	CHECKED:														
DRAWN : Ar. Srishti Paudel	APPROVED:														
SCALE : 1:100	PAPER SIZE : A3														
DATE: May 2018															



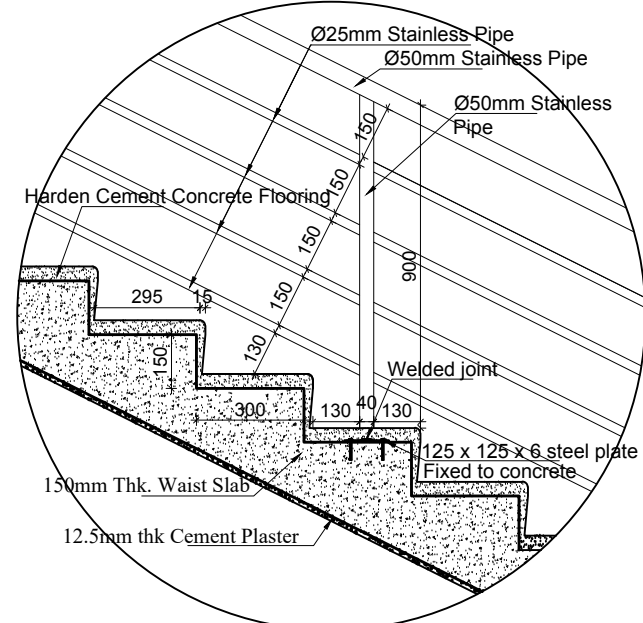
### SECTION AT Y-Y

 CLIENT Government of Nepal National Reconstruction Authority Central Level Project Implementation Unit- Education	PROJECT TITLE <b>Disaster Resilience of Public School          Infrastructure and Community (DR-PSIC)</b>	SHEET TITLE SECTION	CONSULTANT DESIGN & SUPERVISION CONSULTANT(DSC-1) ERMC / SILT/ PACE/ CAGE JV	PLANNING DESIGN TEAM		SHEET NO. AR-07
				ENGINEER: Er.Salin Shrestha ARCHITECT: Ar.Suceep Shalya DRAWN : Ar. Srishti Paudel	STRUCTURE ER: Er. Sagar Krishna Joshi CHECKED: APPROVED:	DWG CODE: 2-H-30
				SCALE :	PAPER SIZE : A3	DATE: May 2018

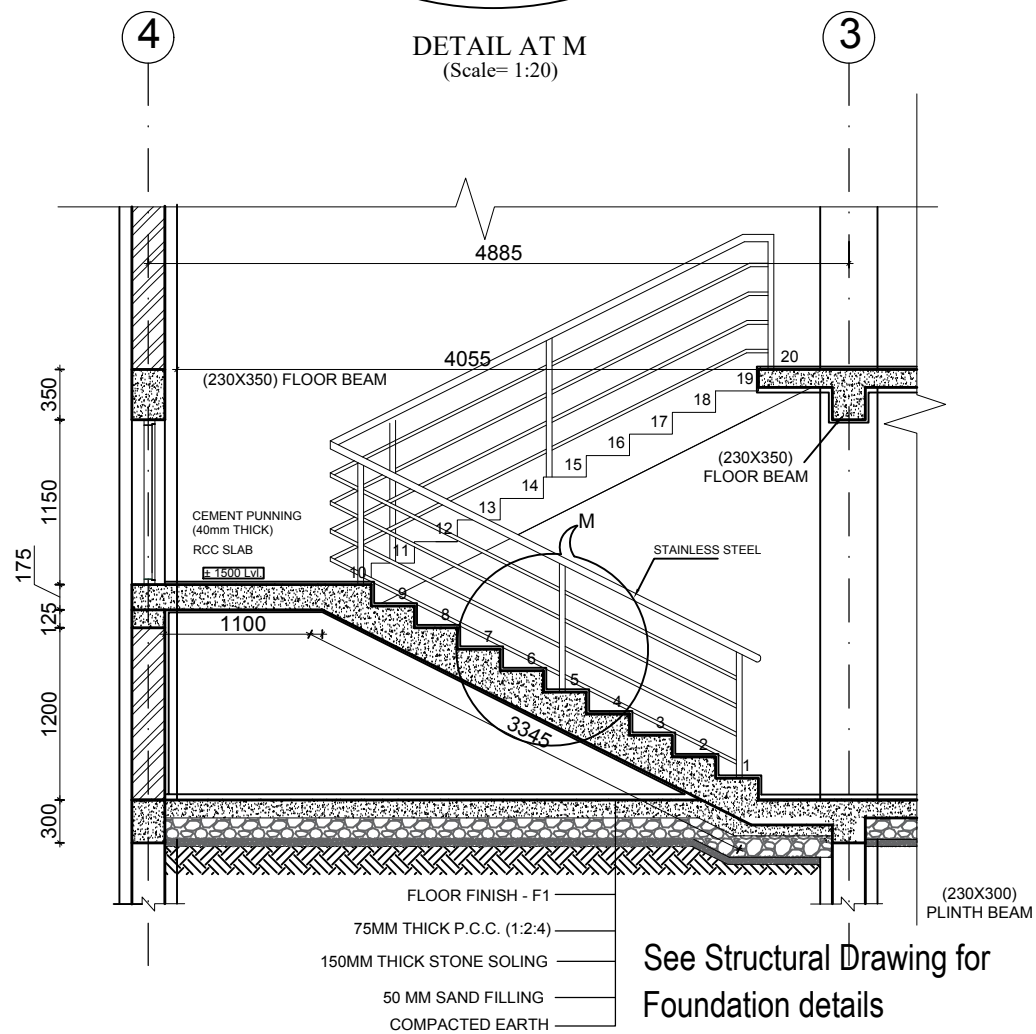




STAIRCASE PLAN  
SCALE: 1:50

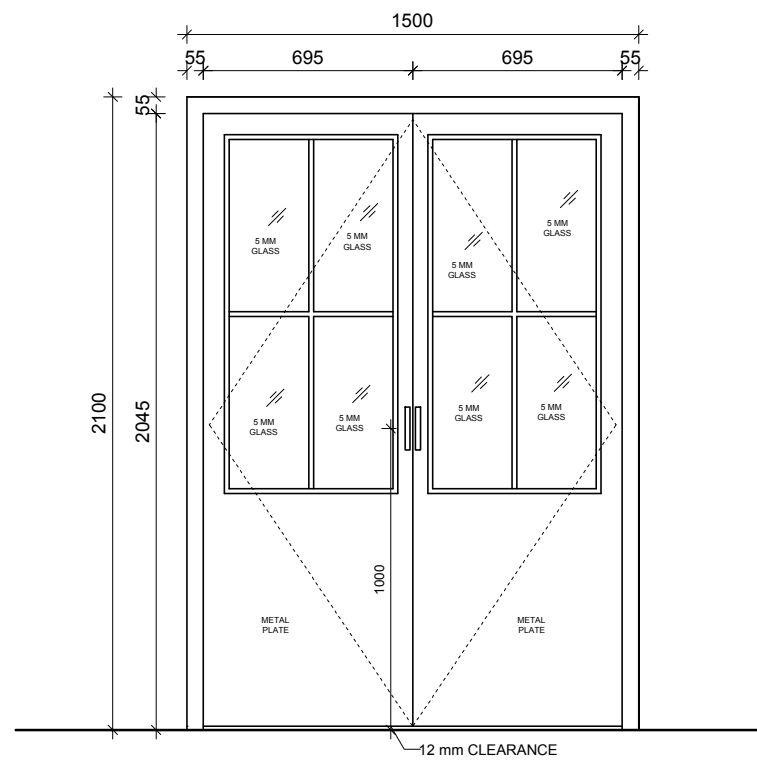


DETAIL AT M  
(Scale= 1:20)

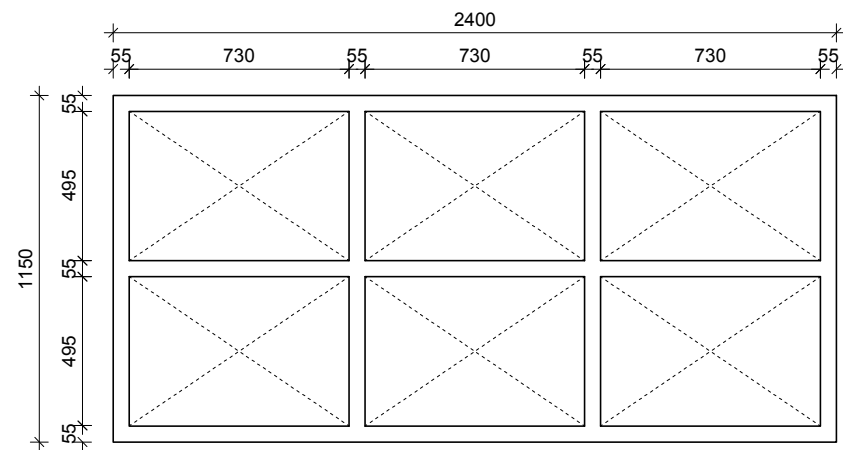


SECTION AT A-A  
SCALE: 1:50

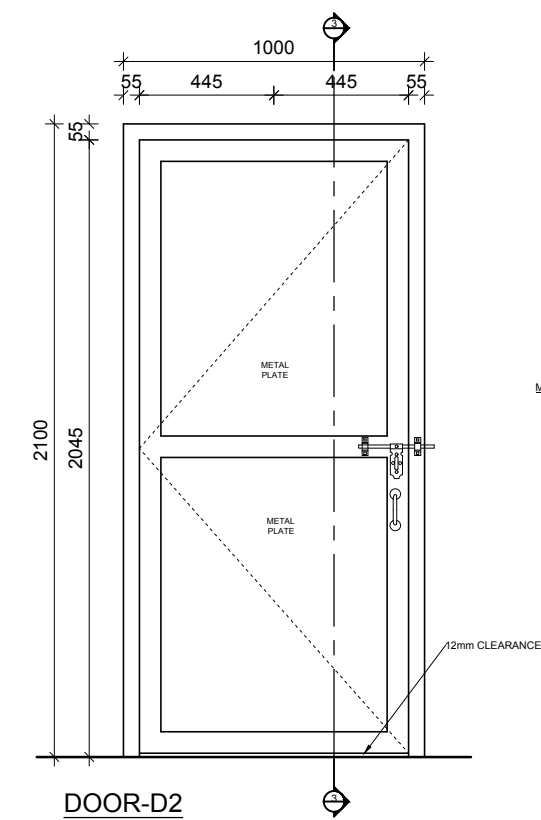
CLIENT	PROJECT TITLE	SHEET TITLE	CONSULTANT	PLANNING DESIGN TEAM	SHEET NO. AR-08
Government of Nepal National Reconstruction Authority Central Level Project Implementation Unit- Education	Disaster Resilience of Public School Infrastructure and Community (DR-PSIC)	STAIRCASE DETAILS	DESIGN & SUPERVISION CONSULTANT(DSC-1) ERM/ SILT/ PACE/ CAGE JV	ENGINEER: Er. Salin Shrestha ARCHITECT: Ar. Sudeep Shakya DRAWN : Ar. Sristi Paudel SCALE : PAPER SIZE : A3	STRUCTURE ER: Er. Sagar Krishna Joshi CHECKED: APPROVED: DATE: May 2018
					DWG CODE: 2-H-30



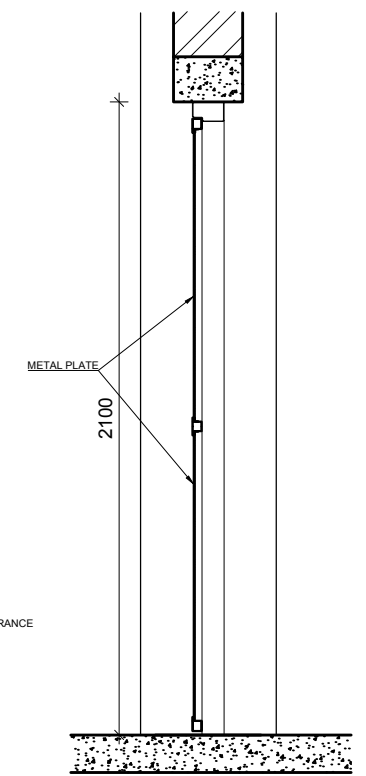
DOOR-D1



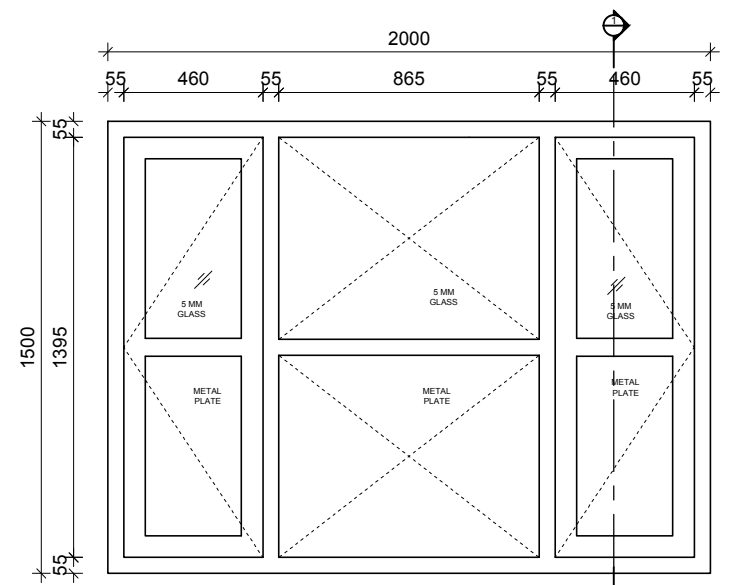
WINDOW - WS



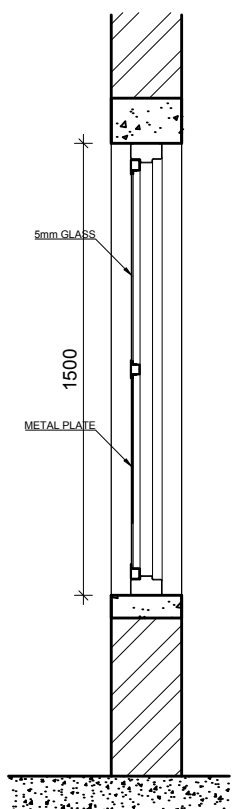
DOOR-D2



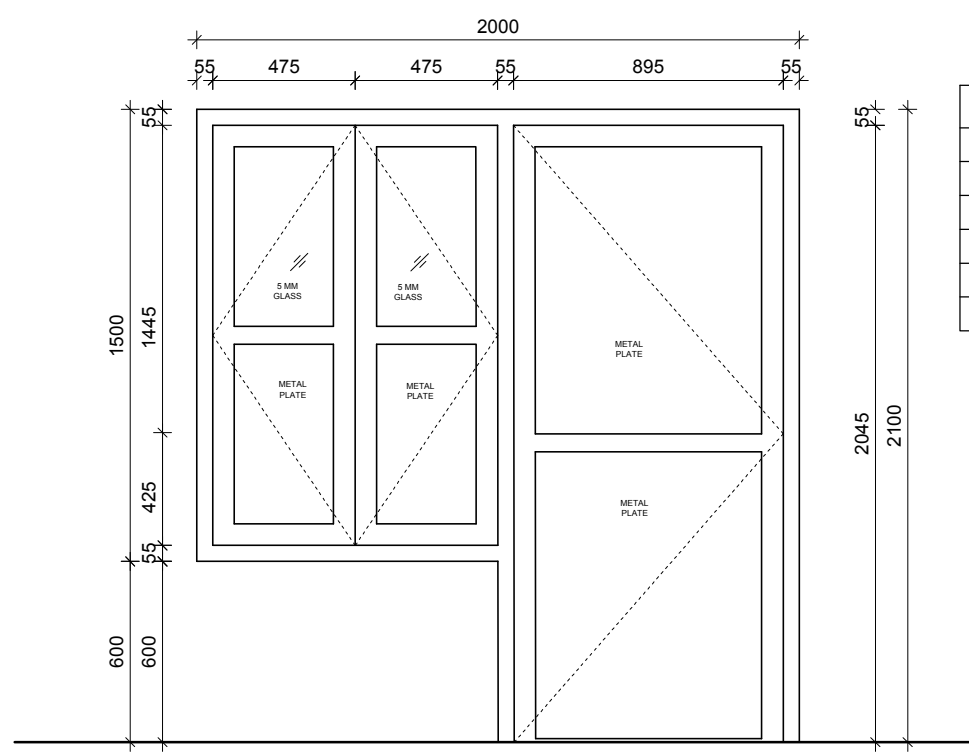
SECTION AT 3-3



WINDOW-W1



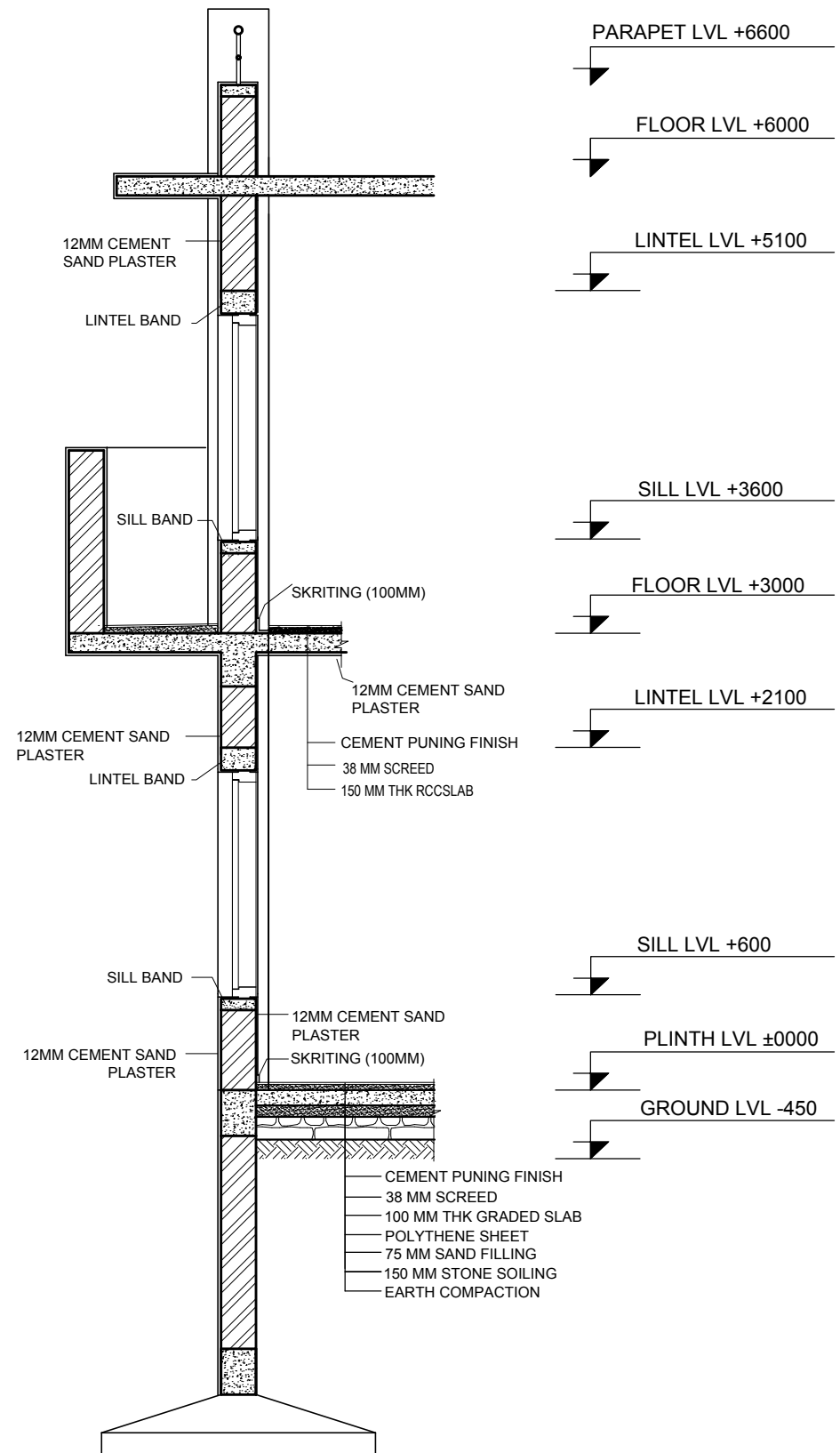
SECTION AT 1-1



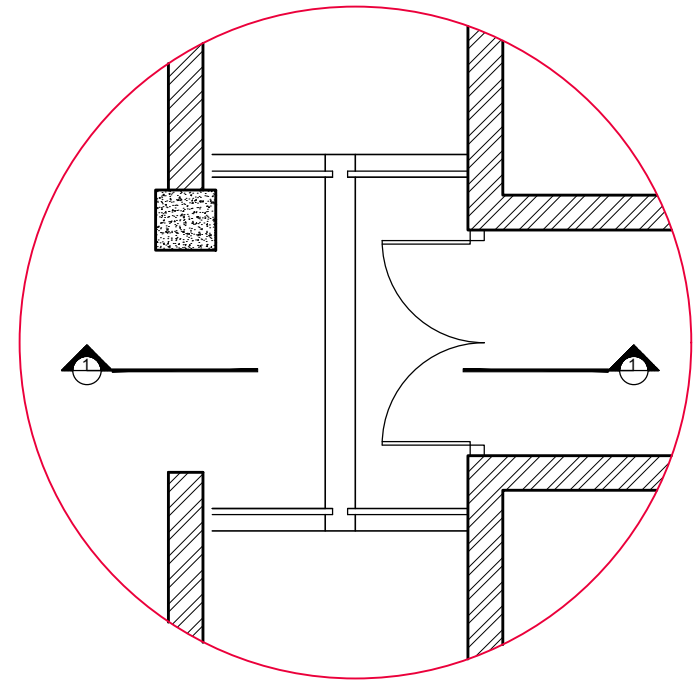
DOOR WINDOW - DW1

DOOR WINDOW SCHEDULE						
SN	SYMBOL	SIZE	GF	FF	TOTAL	REMARKS
1	D1	1500 X 2100	1	-	1	Powder Coated Door
2	D2	1000 X 2100	6	6	12	Powder Coated Door
3	DW1	2000 X 2100	-	7	7	Powder Coated Window
4	W1	2000 X 1500	7	-	7	Powder Coated Window
5	WS	2400 X 1100	1	1	2	Powder Coated Window

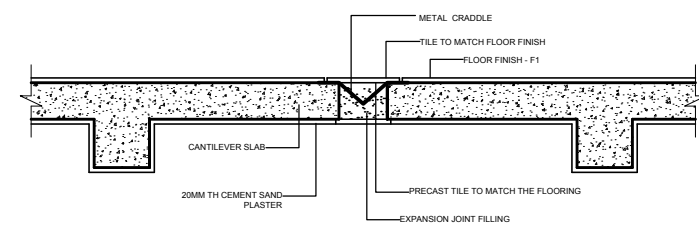
<p>Government of Nepal National Reconstruction Authority Central Level Project Implementation Unit- Education</p>	<p>PROJECT TITLE</p> <p><b>Disaster Resilience of Public School Infrastructure and Community (DR-PSIC)</b></p>	<p>SHEET TITLE</p> <p><b>OPENING SCHEDULE</b></p>	<p>CONSULTANT</p> <p>DESIGN &amp; SUPERVISION CONSULTANT(DSC-1) ERMIC / SILT/ PACE/ CAGE JV</p>	<p>PLANNING DESIGN TEAM</p>			<p>SHEET NO.</p> <p><b>AR-09</b></p>
				<p>ENGINEER: Er.Salin Shrestha</p> <p>ARCHITECT: Ar.Suceep Shalya</p> <p>DRAWN : Ar. Srishti Paudel</p> <p>SCALE :</p>	<p>STRUCTURE ER: Er. Sagar Krishna Joshi</p> <p>CHECKED:</p> <p>APPROVED:</p> <p>PAPER SIZE : A3</p> <p>DATE: May 2018</p>	<p>DWG CODE:</p> <p><b>2-H-30</b></p>	



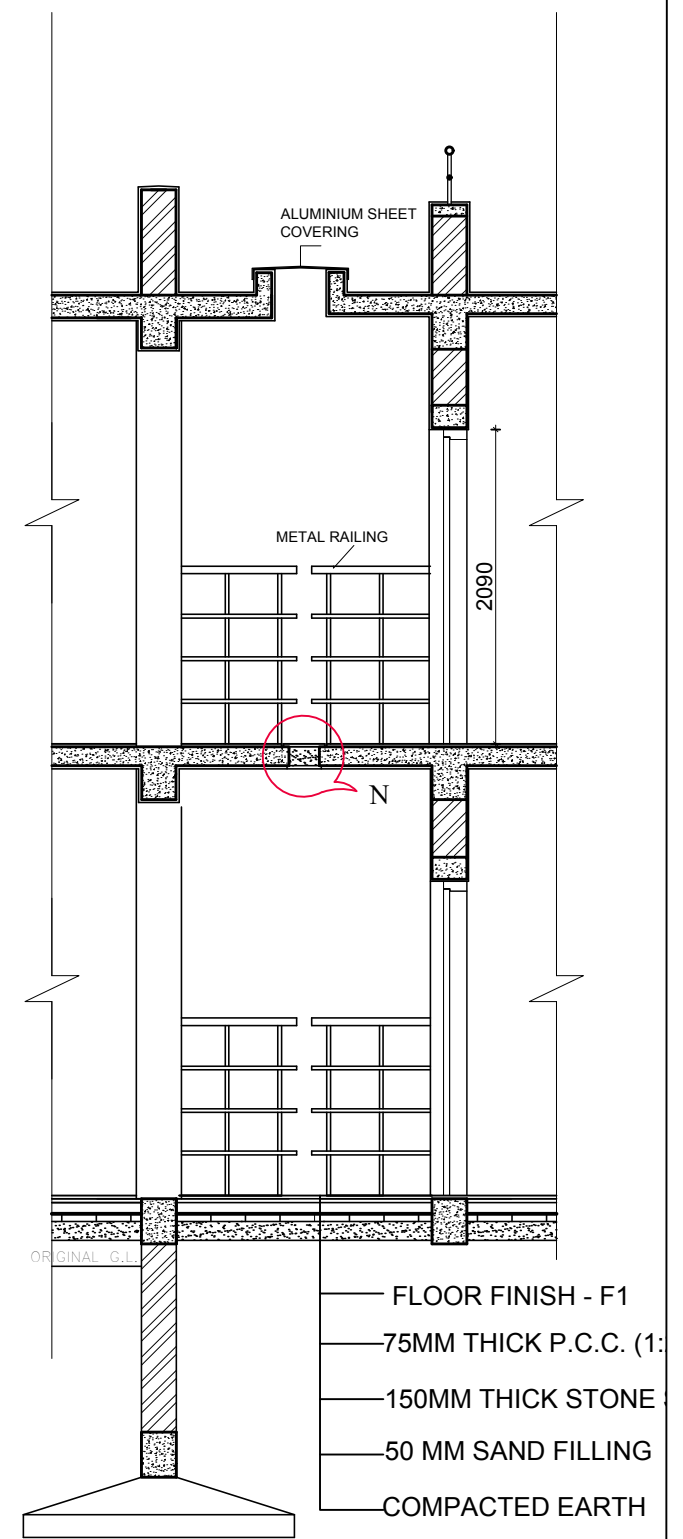
WALL SECTION AT 2-2




DETAIL AT M

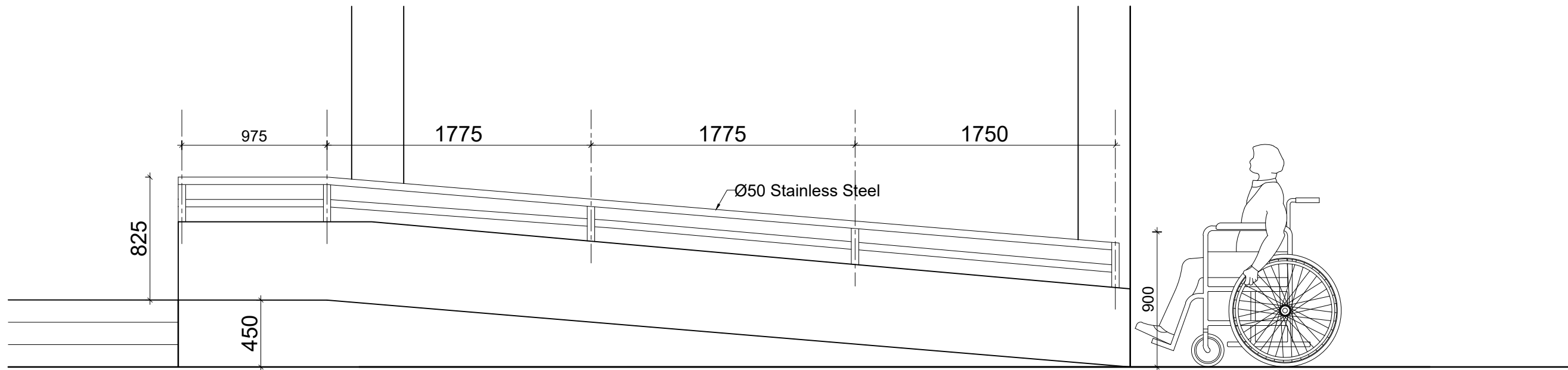


EXPANSION JOINT DETAIL AT N

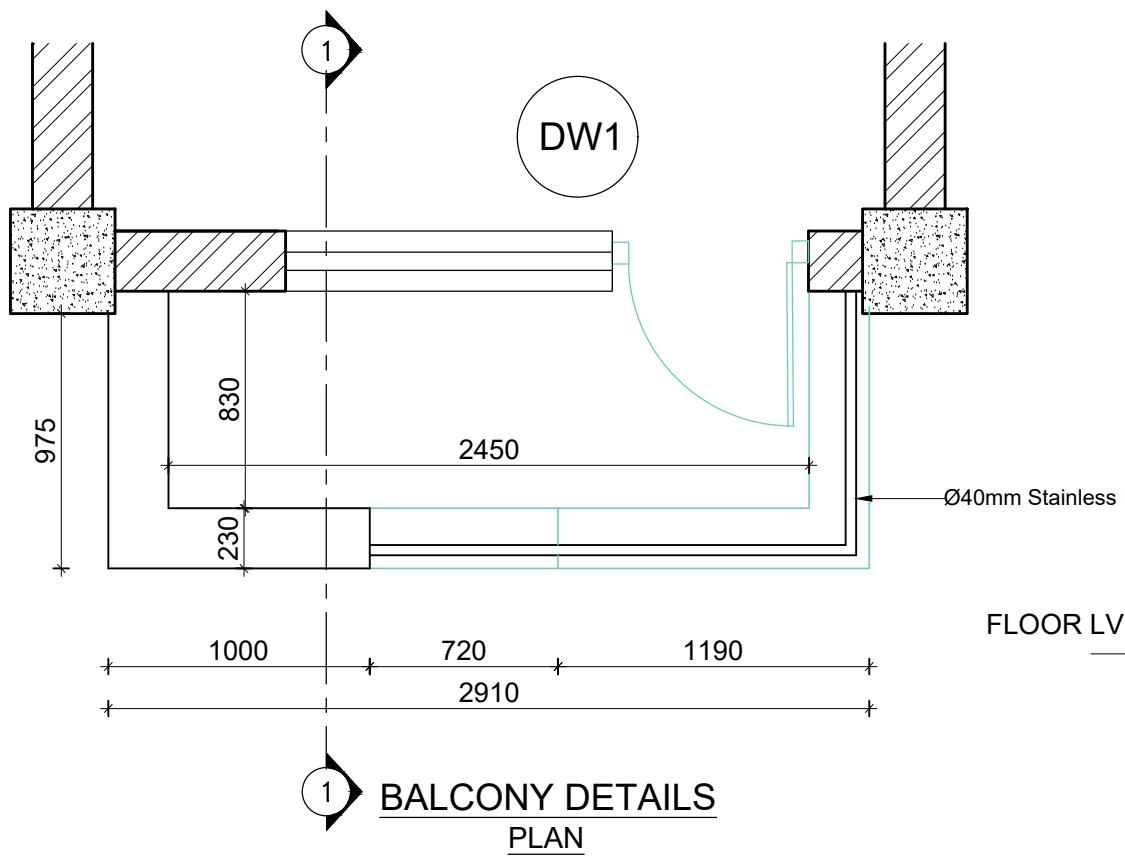


SECTION AT 1-1

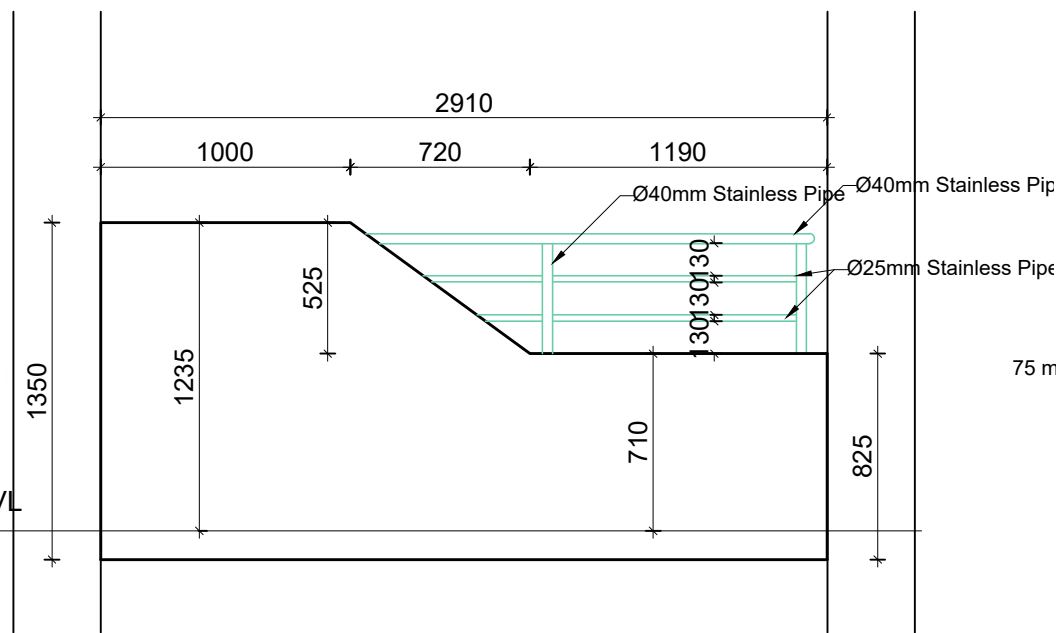
 CLIENT Government of Nepal National Reconstruction Authority Central Level Project Implementation Unit- Education	PROJECT TITLE <b>Disaster Resilience of Public School Infrastructure and Community (DR-PSIC)</b>	SHEET TITLE SECTION	CONSULTANT DESIGN & SUPERVISION CONSULTANT(DSC-1) ERM / SILT / PACE / CAGE JV	PLANNING DESIGN TEAM		SHEET NO. AR-10 DWG CODE: 2-H-30
				ENGINEER: Er.Salin Shrestha ARCHITECT: Ar.Suceep Shalya DRAWN : Ar. Srishti Paudel	STRUCTURE ER: Er. Sagar Krishna Joshi CHECKED: APPROVED: DATE: May 2018	



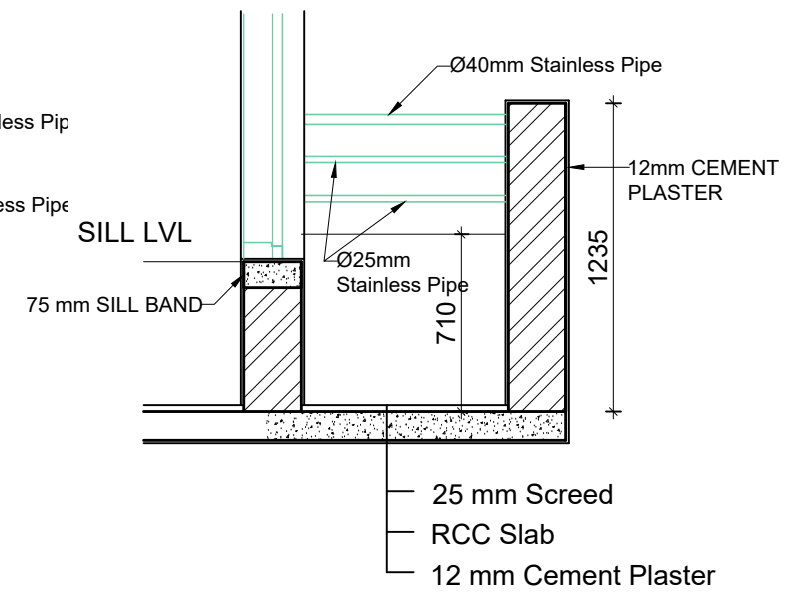
**RAMP DETAILS**  
ELEVATION




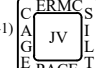
**BALCONY DETAILS**  
PLAN



**BALCONY DETAILS**  
ELEVATION



**BALCONY DETAILS**  
SECTION AT 1-1

CLIENT	PROJECT TITLE	SHEET TITLE	CONSULTANT	PLANNING DESIGN TEAM	SHEET NO. AR-11
 Government of Nepal National Reconstruction Authority Central Level Project Implementation Unit- Education	<b>Disaster Resiliens of Public School          Infrastructure and Community (DR-PSIC)</b>	<b>DETAILS</b>	DESIGN & SUPERVISION CONSULTANT(DSC-1) ERMC / SILT/ PACE/ CAGE JV 	ENGINEER: Er.Salin Shrestha ARCHITECT: Ar. Sudeep Shakya DRAWN : Ar. Srishti Paudel SCALE :	STRUCTURE ER: Er. Sagar Krishna Joshi CHECKED: APPROVED: DATE: May 2018
				PAPER SIZE : A3	DWG CODE: 2-H-30