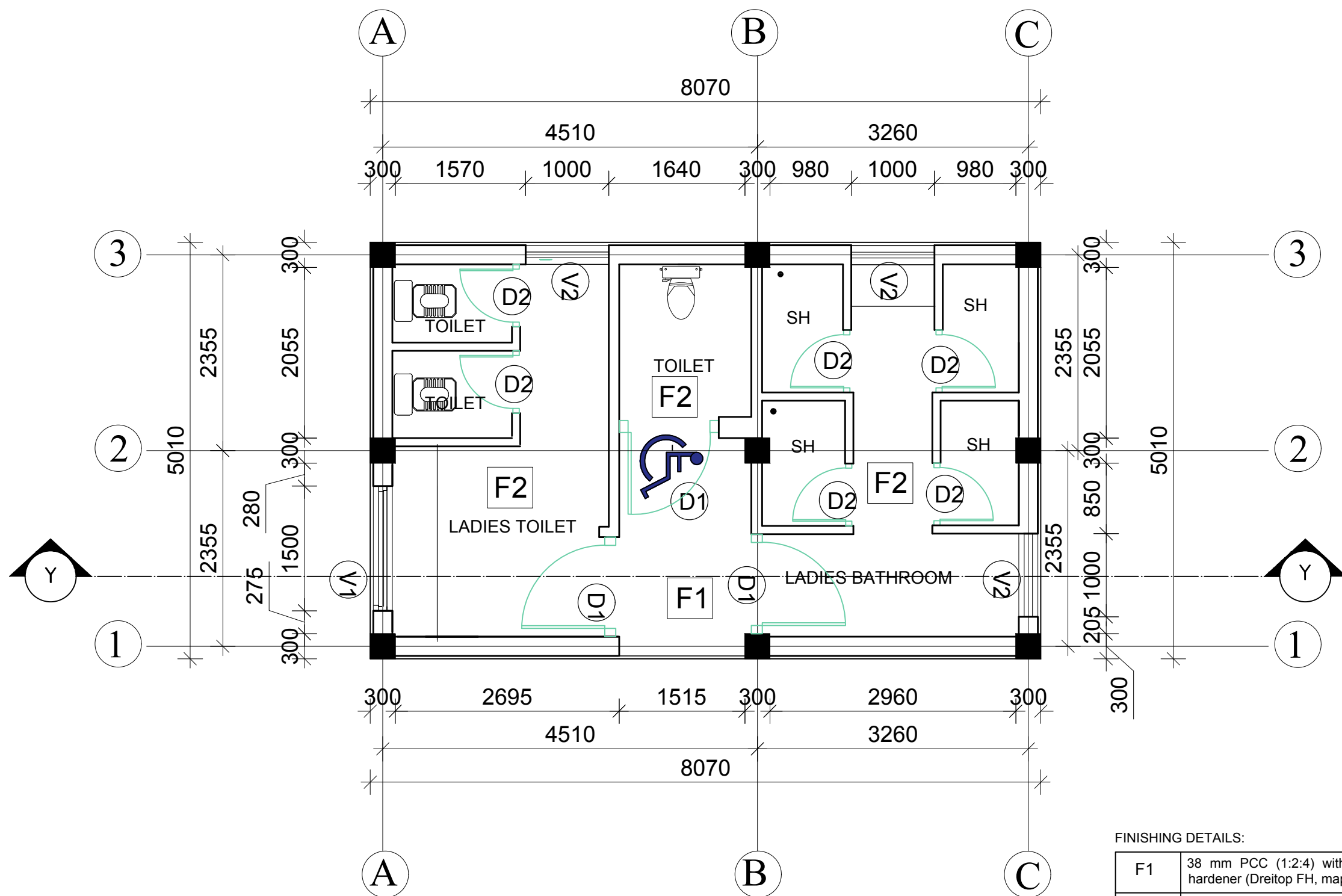


DISASTER RESILIENCE OF PUBLIC SCHOOL  
INFRASTRUCTURE AND COMMUNITY (DR-PSIC)

**TOILET BLOCK**  
**2-T3**  
**ARCHITECTURAL DRAWINGS**



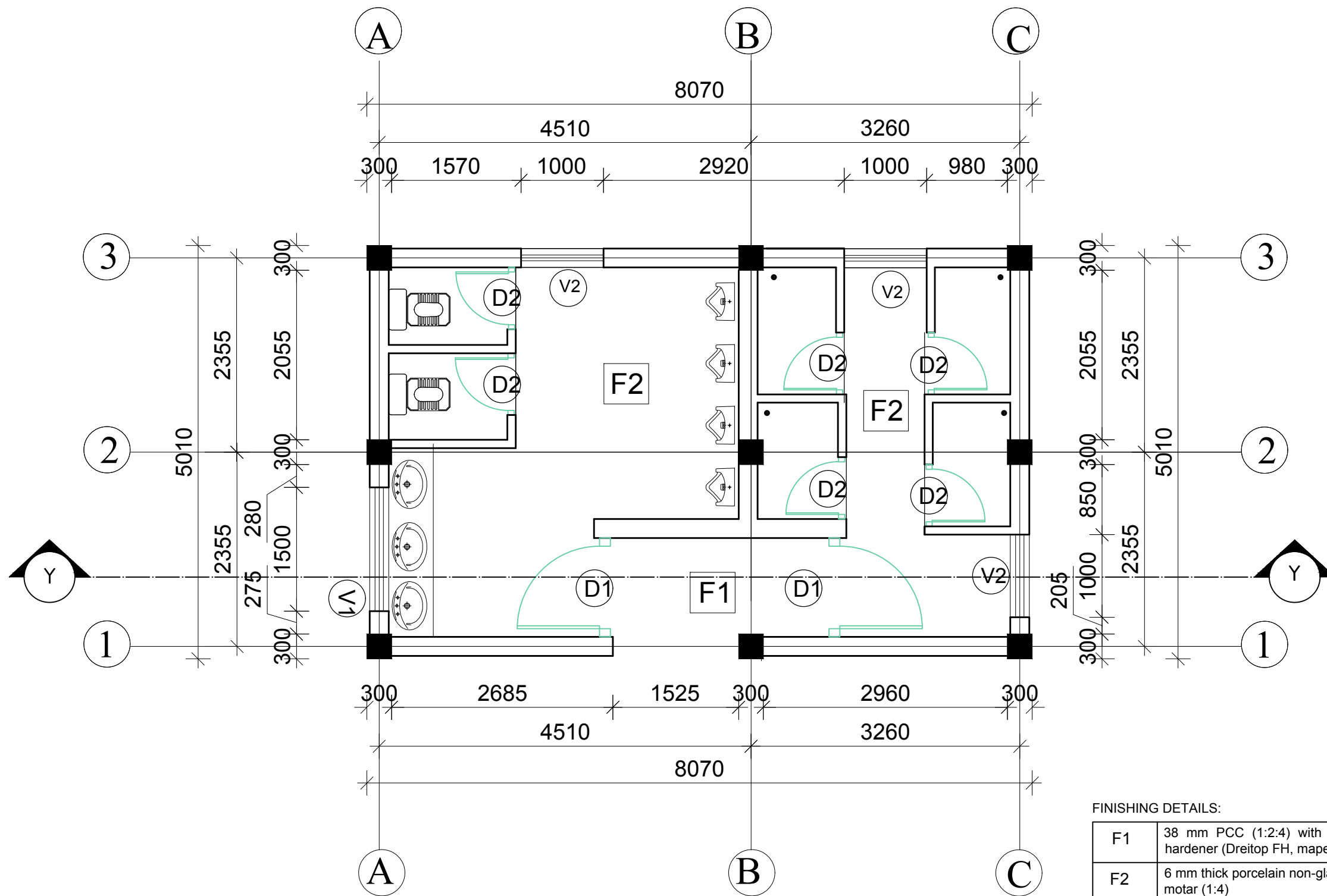
## GROUND FLOOR PLAN

AREA: 40.43 SQ.M

**FINISHING DETAILS:**

F1	38 mm PCC (1:2:4) with 1:1 cement punning with floor hardener (Dreitop FH, mapetop, Sika Chapdur or equivalent)
F2	6 mm thick porcelain non-glaze tile with 20 mm cement sand motar (1:4)
F3	50 mm PCC (1:2:4) with 1:1 cement punning with floor hardener (Dreitop FH, mapetop, Sika Chapdur or equivalent) and water proofing (safe-crete or equivalent)

CLIENT	PROJECT TITLE	SHEET TITLE	CONSULTANT	PLANNING DESIGN TEAM	SHEET NO. AR-01
Government of Nepal National Reconstruction Authority Central Level Project Implementation Unit - Education	<b>Disaster Resilience of Public School          Infrastructure and Community (DR-PSIC)</b>	GROUND FLOOR PLAN	DESIGN & SUPERVISION CONSULTANT(DSC-1) ERMC / SILT/ PACE/ CAGE JV 	ENGINEER: Salin Shrestha ARCHITECT: Sudep Shakya DRAWN: Ar. Sadicheha Shrestha SCALE: 1:50    PAPER SIZE: A3    DATE: May 2018 STRUCTURE ER: CHECKED: APPROVED:	DWG CODE: 2-T3



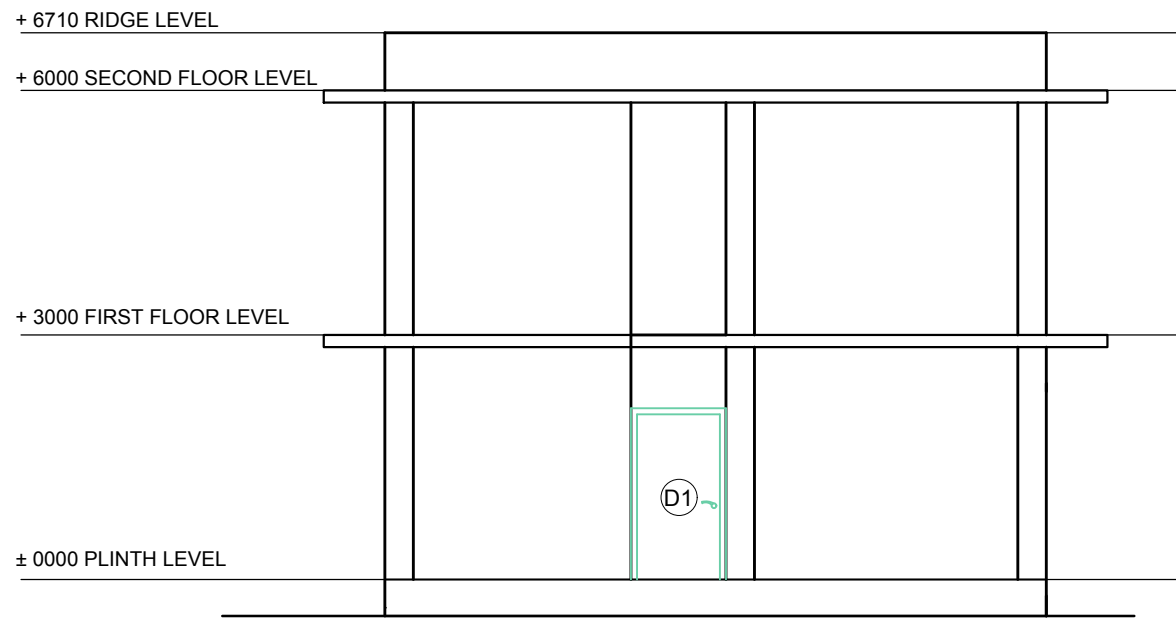
# FIRST FLOOR PLAN

AREA: 40.43 SQ.M

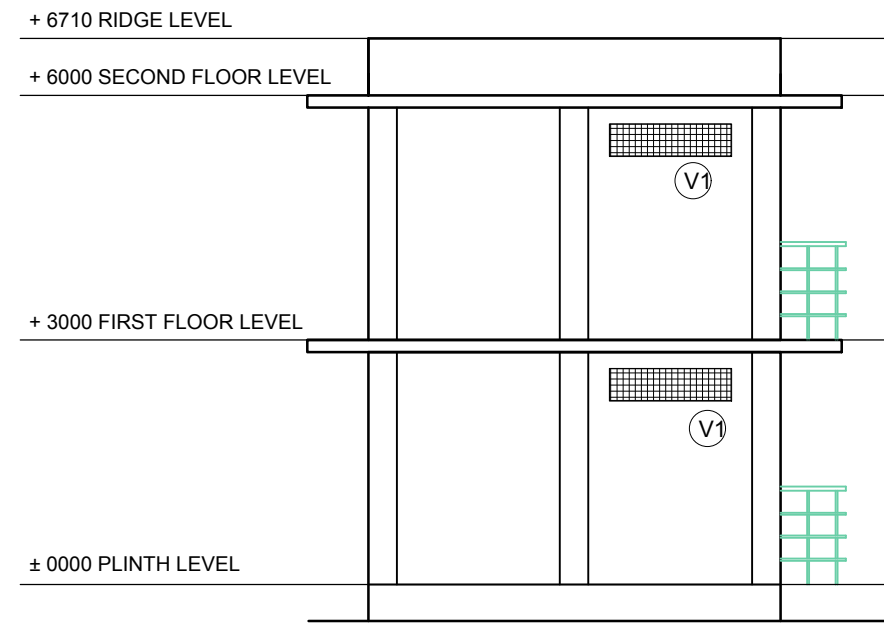
**FINISHING DETAILS:**

F1	38 mm PCC (1:2:4) with 1:1 cement punning with floor hardener (Dreitop FH, mapetop, Sika Chapdur or equivalent)
F2	6 mm thick porcelain non-glaze tile with 20 mm cement sand motar (1:4)
F3	50 mm PCC (1:2:4) with 1:1 cement punning with floor hardener (Dreitop FH, mapetop, Sika Chapdur or equivalent) and water proofing (safe-crete or equivalent)

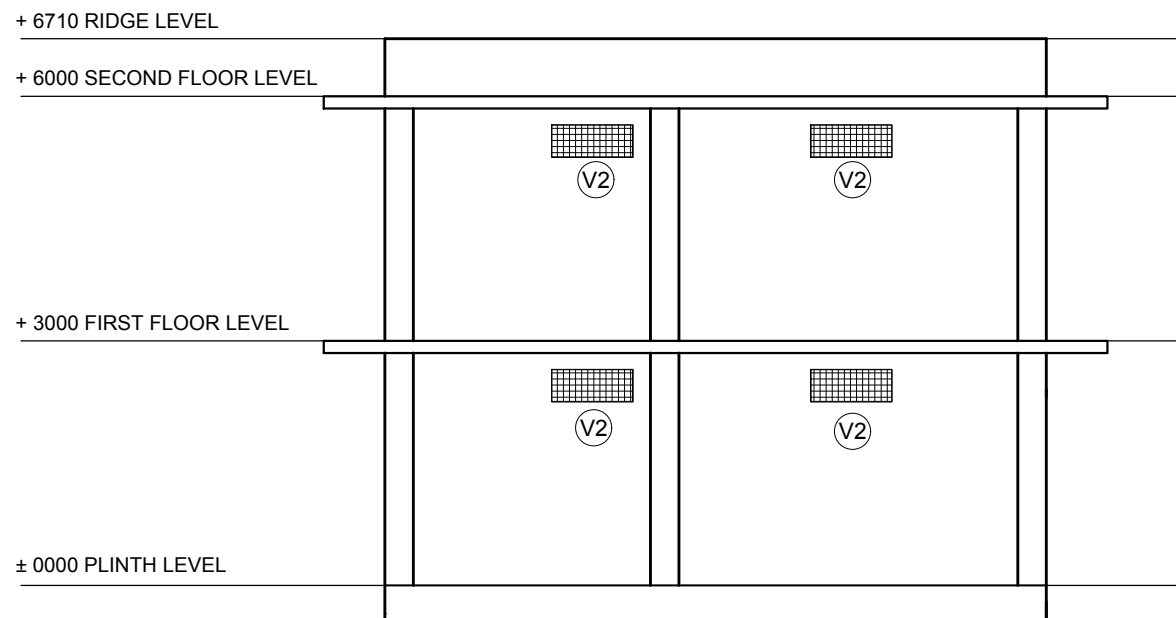
CLIENT	PROJECT TITLE	SHEET TITLE	CONSULTANT	PLANNING DESIGN TEAM	SHEET NO. AR-02	
Government of Nepal National Reconstruction Authority Central Level Project Implementation Unit - Education	<b>Disaster Resilience of Public School            Infrastructure and Community (DR-PSIC)</b>	FIRST FLOOR PLAN	DESIGN & SUPERVISION CONSULTANT(DSC-1) ERM / SILT/ PACE/ CAGE JV <div style="display: flex; align-items: center; justify-content: center; margin-top: 5px;"> <div style="border: 1px solid black; padding: 2px; font-size: 8px; margin-right: 5px;">C A G E</div> <div style="border: 1px solid black; padding: 2px; font-size: 8px; margin-right: 5px;">E R M C</div> <div style="border: 1px solid black; padding: 2px; font-size: 8px; margin-right: 5px;">S I L T</div> <div style="border: 1px solid black; padding: 2px; font-size: 8px; margin-right: 5px;">P A C E</div> <div style="border: 1px solid black; padding: 2px; font-size: 8px; margin-right: 5px;">J V</div> </div>	ENGINEER: Salin Shrestha ARCHITECT: Sudeep Shakya DRAWN : Ar. Sadichcha Shrestha SCALE : 1:50	STRUCTURE ER: CHECKED: APPROVED: PAPER SIZE : A3 DATE: May 2018	DWG CODE: 2-T3



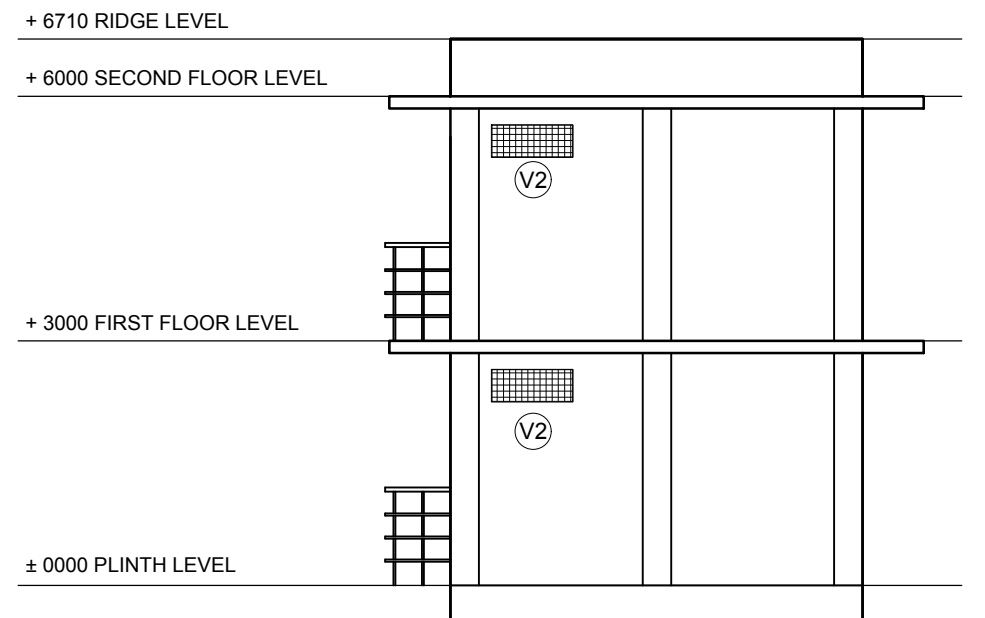
**FRONT ELEVATION**




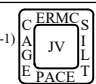
**SIDE ELEVATION**

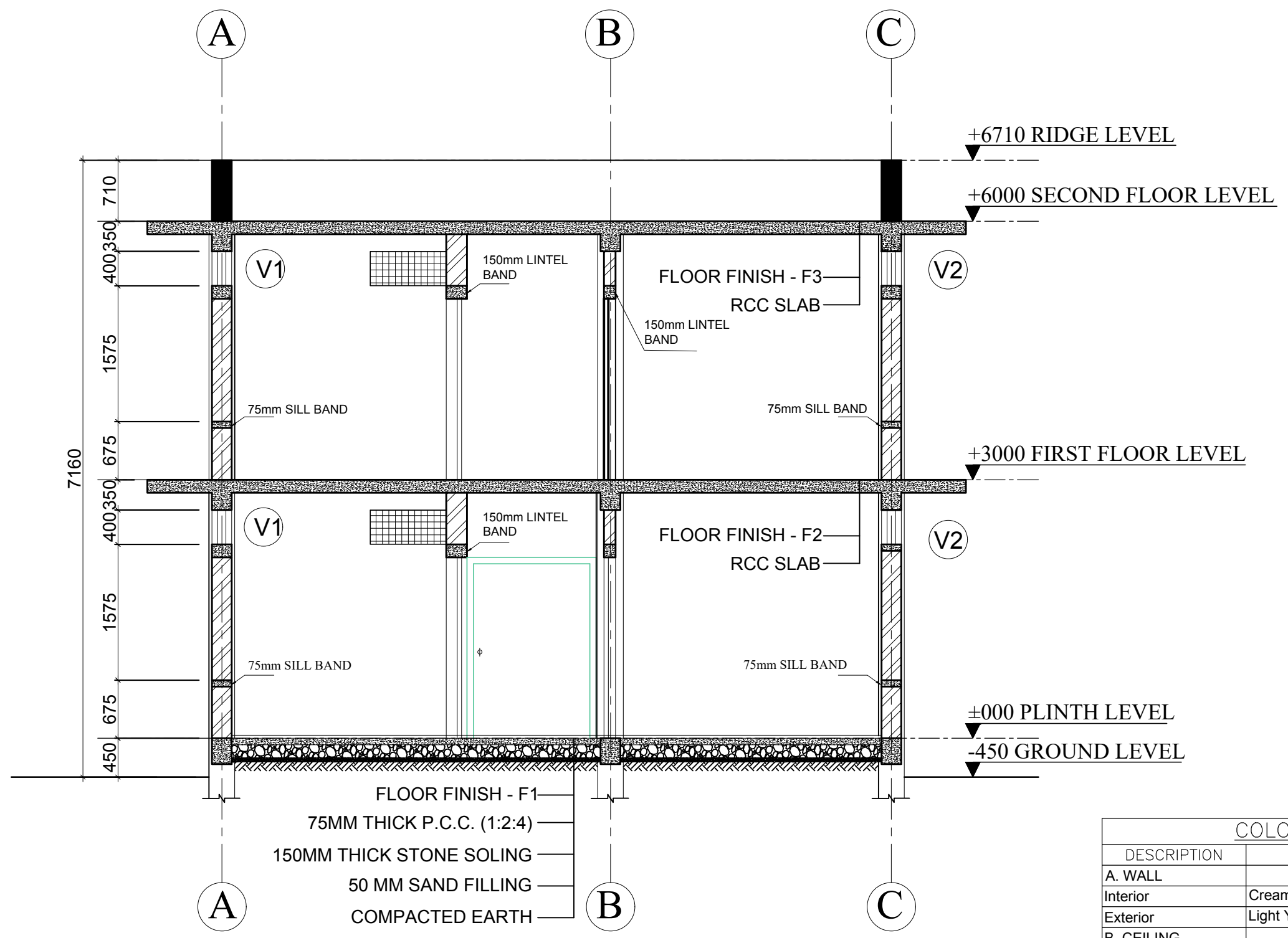


**BACK ELEVATION**



**SIDE ELEVATION**

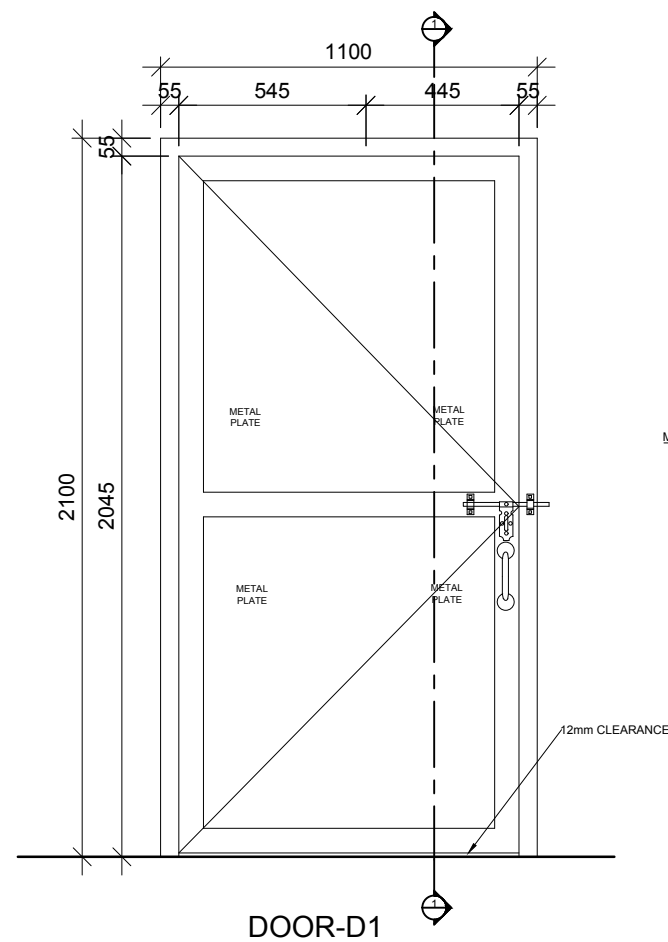
<p>CLIENT</p>	<p>PROJECT TITLE</p>	<p>SHEET TITLE</p>	<p>CONSULTANT</p>	<p>PLANNING DESIGN TEAM</p>		<p>SHEET NO. AR-03</p>
 <p>Government of Nepal National Reconstruction Authority Central Level Project Implementation Unit - Education</p>	<p><b>Disaster Resilience of Public School Infrastructure and Community (DR-PSIC)</b></p>	<p>ELEVATIONS</p>	<p>DESIGN &amp; SUPERVISION CONSULTANT(DSC-1) ERM / SILT/ PACE/ CAGE JV</p> 	<p>ENGINEER: Salin Shrestha ARCHITECT: Sudeep Shakya DRAWN : Ar. Sadichhha Shrestha SCALE : 1:100</p>	<p>STRUCTURE ER: CHECKED: APPROVED: DATE: May 2018</p>	<p>DWG CODE: 2-T3</p>



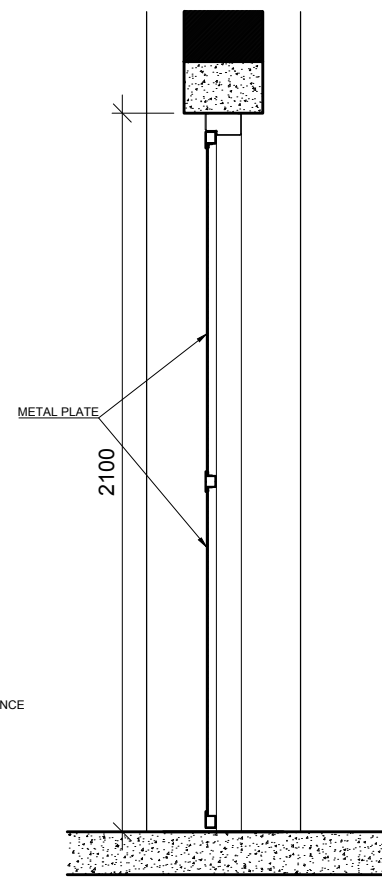
## SECTION AT Y-Y

COLOR DETAILS		
DESCRIPTION	COLOR	TYPE
<b>A. WALL</b>		
Interior	Cream or Ivory	Distemper
Exterior	Light Yellow	Weather Coat
<b>B. CEILING</b>		
Interior	White	Distemper
Exterior	White	Weather Coat
<b>C. PROJECTION</b>		
	Grey	Weather Coat
<b>D. DOORS &amp; WINDOWS</b>		
	Dark Brown	Powder Coated
<b>E. PLINTH BAND</b>		
	Grey	Weather Coat

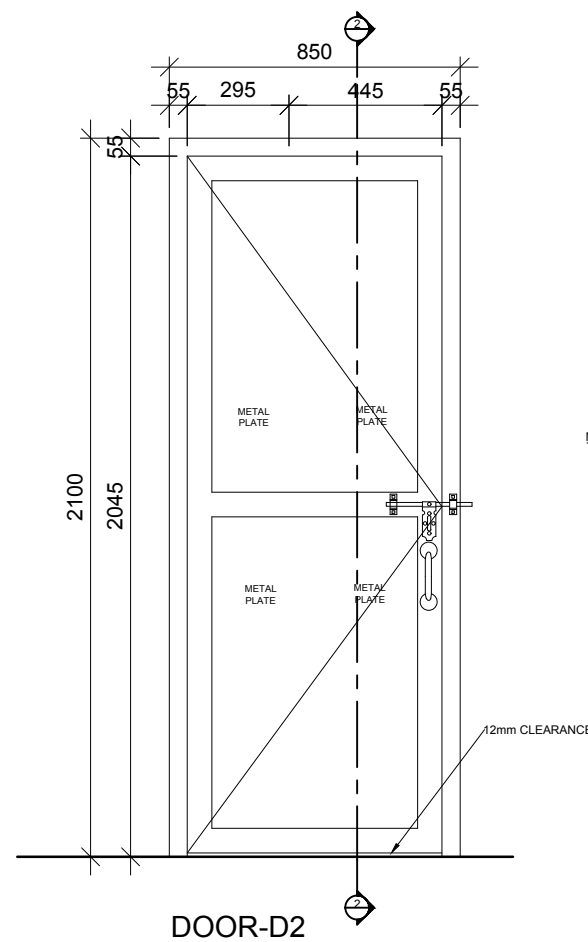
CLIENT Government of Nepal National Reconstruction Authority Central Level Project Implementation Unit - Education	PROJECT TITLE <b>Disaster Resilience of Public School Infrastructure and Community (DR-PSIC)</b>	SHEET TITLE SECTION	CONSULTANT DESIGN & SUPERVISION CONSULTANT(DSC-1) ERM / SILT/ PACE/ CAGE JV	PLANNING DESIGN TEAM ENGINEER: Salin Shrestha ARCHITECT: Sudeep Shakya DRAWN: Ar. Sadichcha Shrestha SCALE: 1:50 PAPER SIZE: A3 DATE: May 2018	SHEET NO. <b>AR-04</b>  DWG CODE: 2-T3
---	---	------------------------	---	--	--



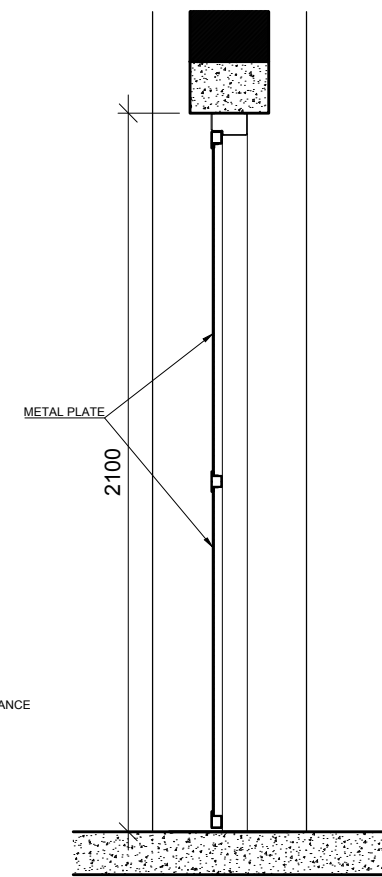
DOOR-D1



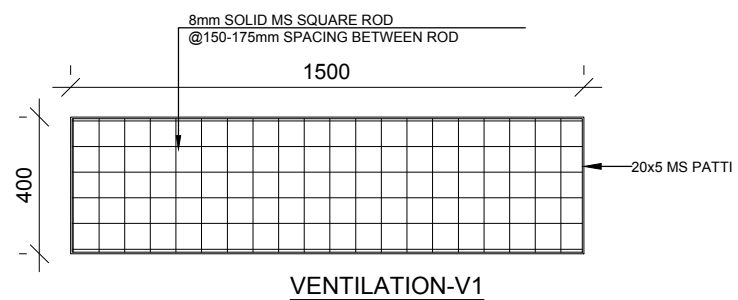
SECTION AT 1-1



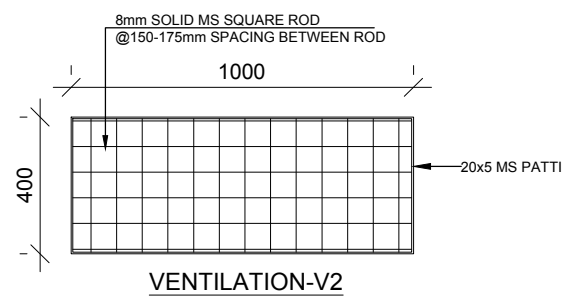
DOOR-D2



SECTION AT 2-2



VENTILATION-V1



VENTILATION-V2

DOOR WINDOW SCHEDULE						
SN	SYMBOL	SIZE	GF	FF	TOTAL	REMARKS
2	D1	1200 X 2100	3	2	5	Powder Coated Door
3	D2	750 X 2100	6	6	12	Powder Coated Door
4	V1	1500 X 400	1	1	2	Metal grill on MS patti
5	V2	1000 X 400	3	3	6	Metal grill on MS patti

<p>Government of Nepal National Reconstruction Authority Central Level Project Implementation Unit - Education</p>	<p>PROJECT TITLE</p> <p><b>Disaster Resilience of Public School Infrastructure and Community (DR-PSIC)</b></p>	<p>SHEET TITLE</p> <p><b>OPENING SCHEDULE</b></p>	<p>CONSULTANT</p> <p>DESIGN &amp; SUPERVISION CONSULTANT(DSC-1) ERMC / SILT/ PACE/ CAGE JV</p>	<p>PLANNING DESIGN TEAM</p>			<p>SHEET NO.</p> <p><b>AR-05</b></p>
				<p>ENGINEER: Salin Shrestha</p> <p>ARCHITECT: Sudeep Shakya</p> <p>DRAWN : Ar. Sadichcha Shrestha</p> <p>SCALE :</p>	<p>STRUCTURE ER:</p> <p>CHECKED:</p> <p>APPROVED:</p> <p>DATE: May 2018</p>	<p>DWG CODE:</p> <p>2-T3</p>	