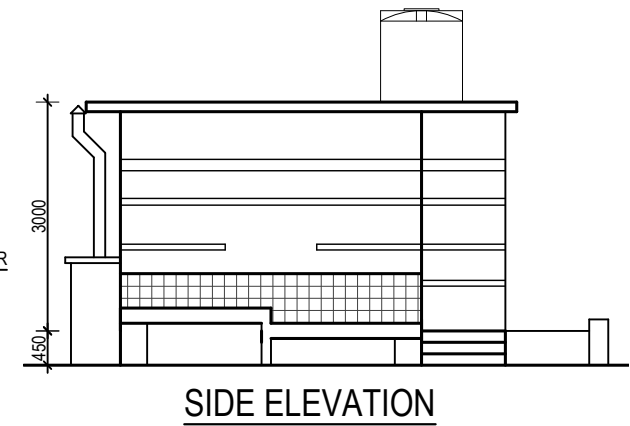
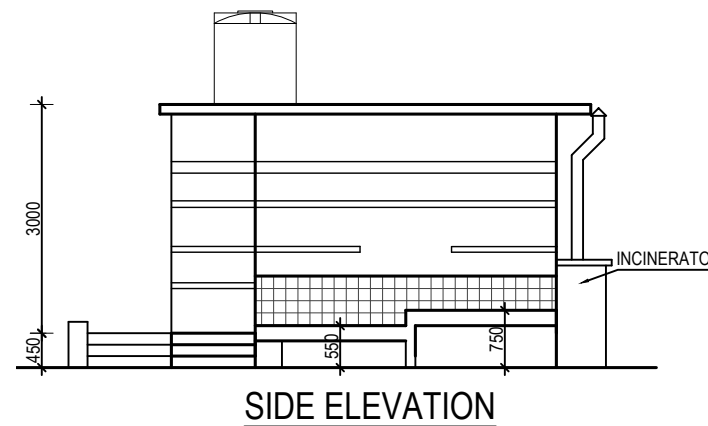
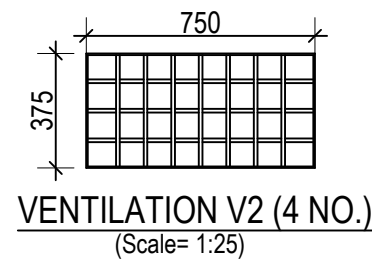
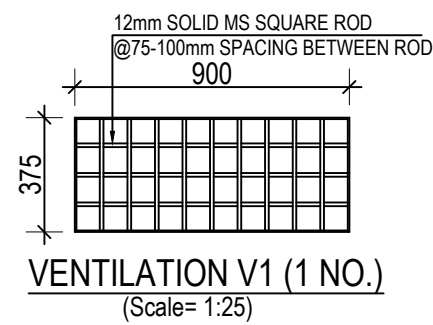
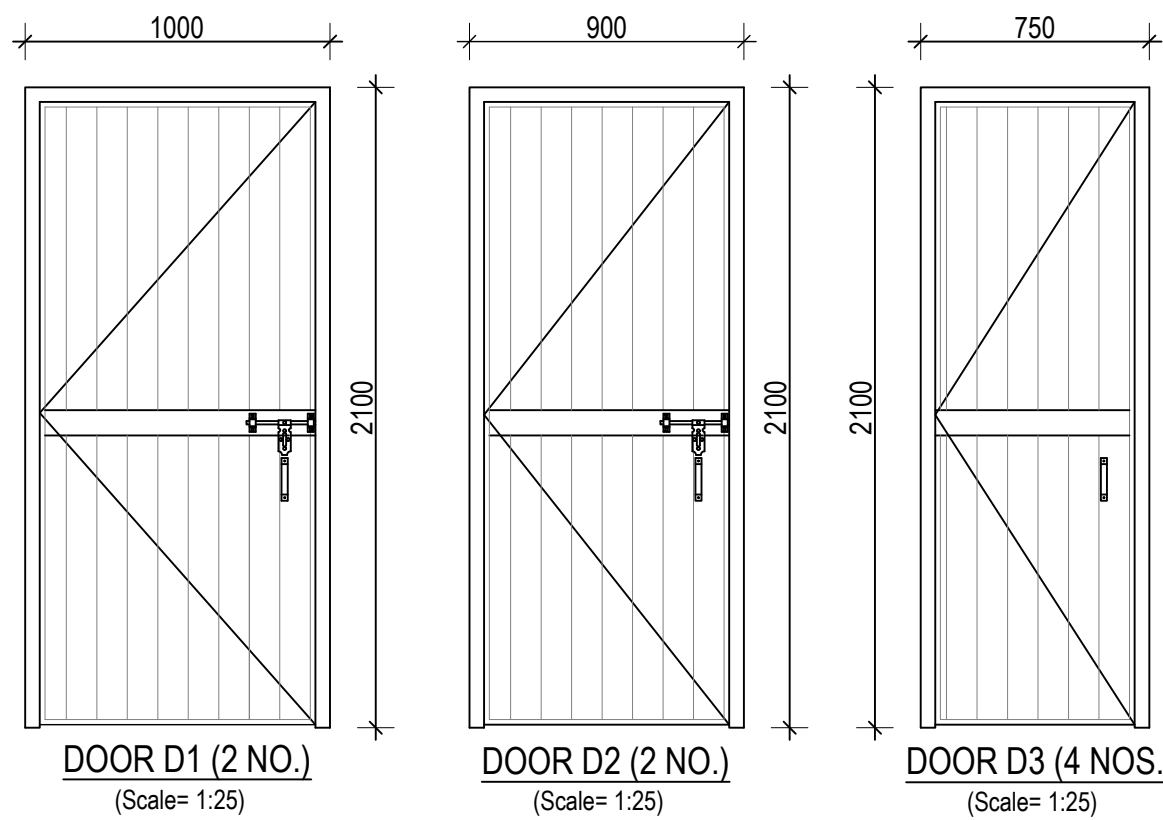
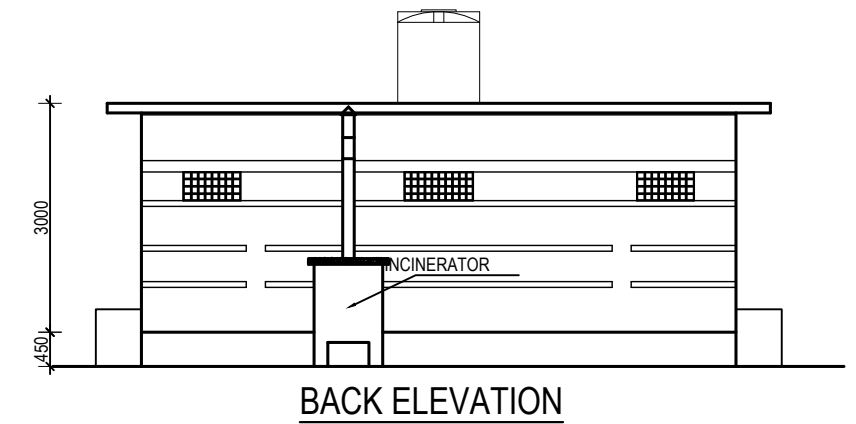
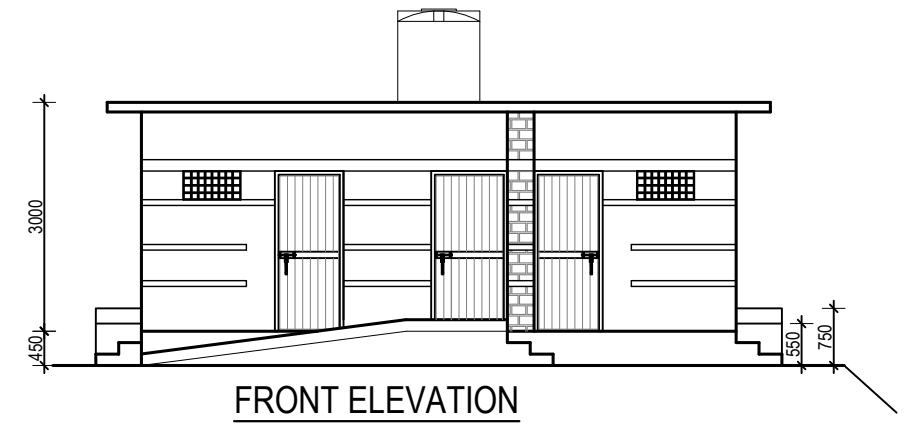
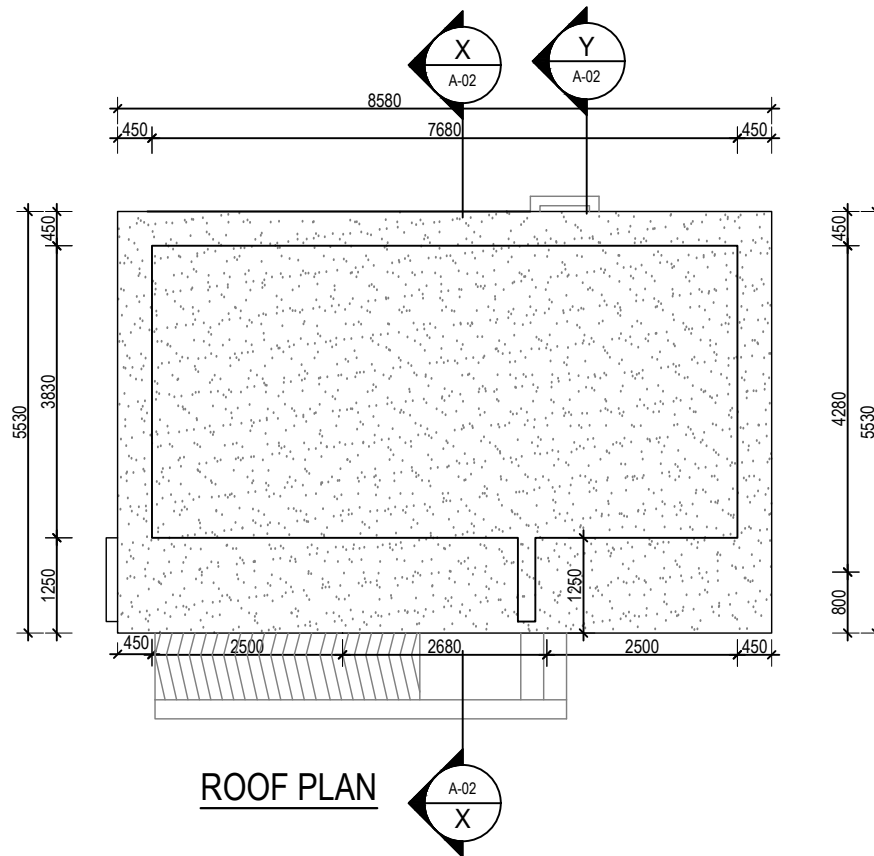
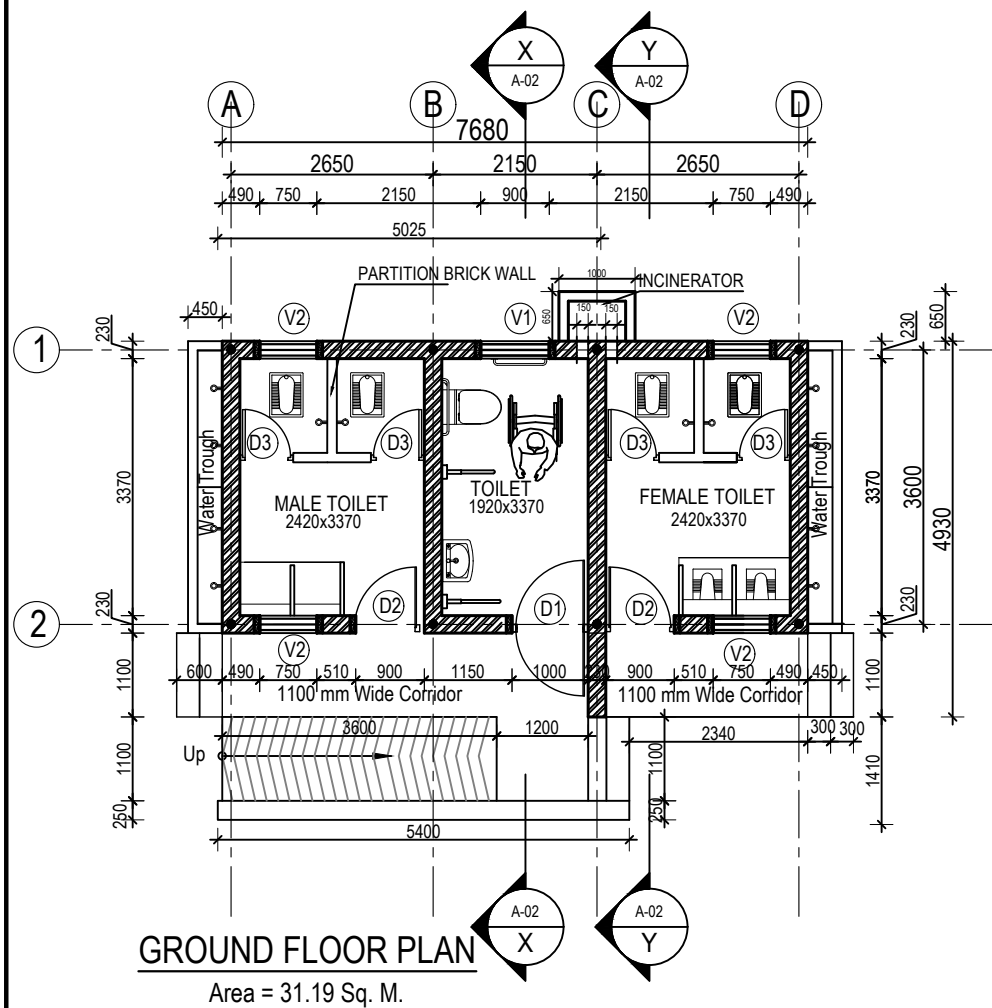


Government of Nepal
National Reconstruction Authority
Central Level Project Implementation Unit (EDU)
Gyaneshwor, Kathmandu

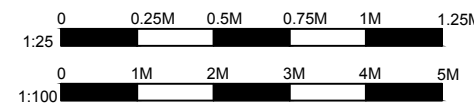
2M/F-1D Toilet- Brick

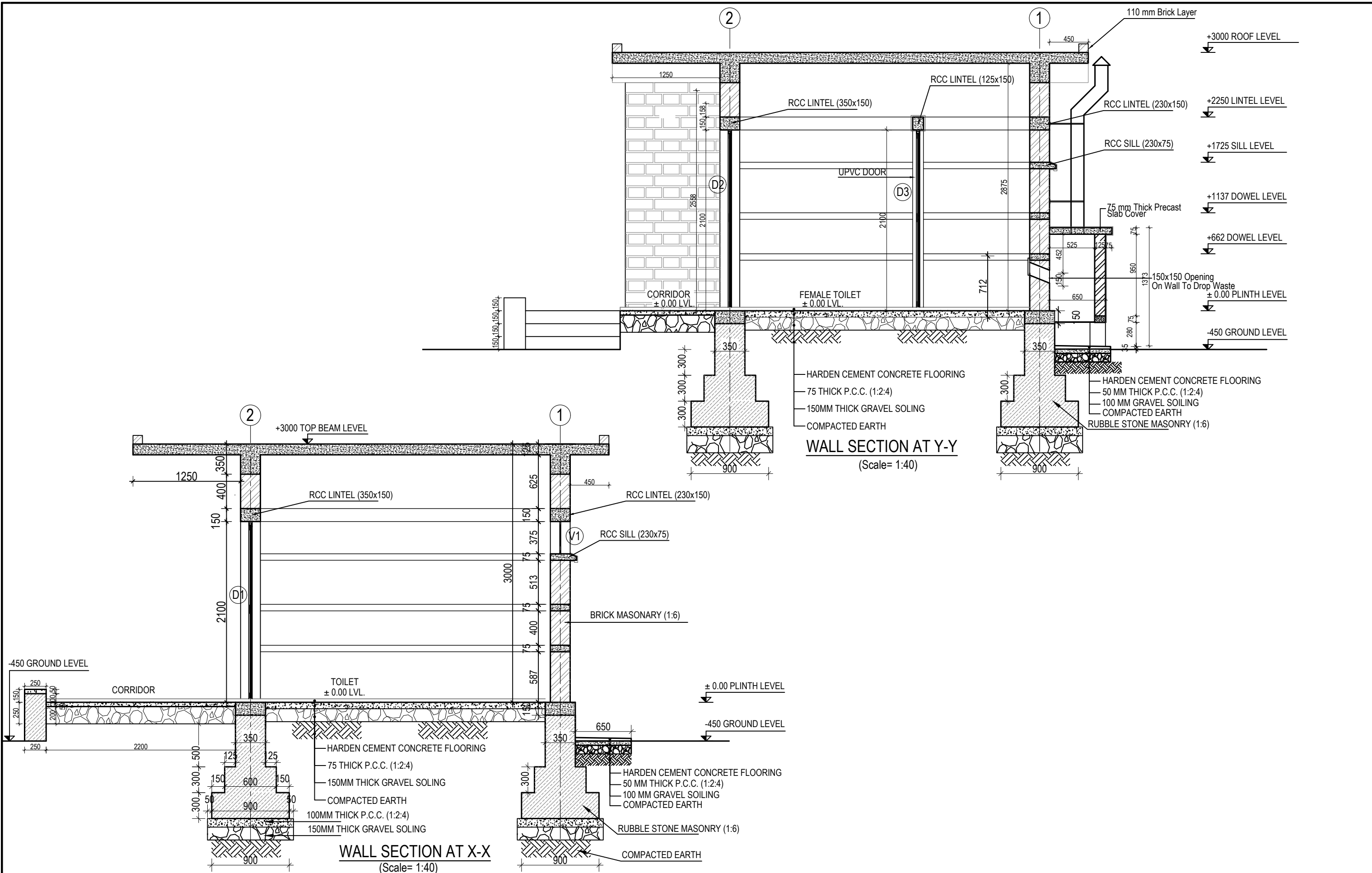
(May 2019)



DOORS & WINDOWS SCHEDULE:

S.N.	SYMBOL	SIZES	NOS.	REMARKS
1.	V1	900x 375	1	MS Frame
2.	V2	750x 325	4	MS Frame
3.	D1	1000 x 2100	1	UPVC/ Wood/ Frame & Shutter
4.	D2	900 x 2100	2	UPVC/ Wood/ Frame & Shutter
5.	D3	750 x 2100	4	UPVC/ Wood/ Frame & Shutter
TOTAL			12	





Government of Nepal
 National Reconstruction Authority
 Central Level Project Implementation Unit (EDU)
 Gyaneshwor, Kathmandu

PROJECT :
 2M/F-1D Toilet-
 Brick (May 2019)

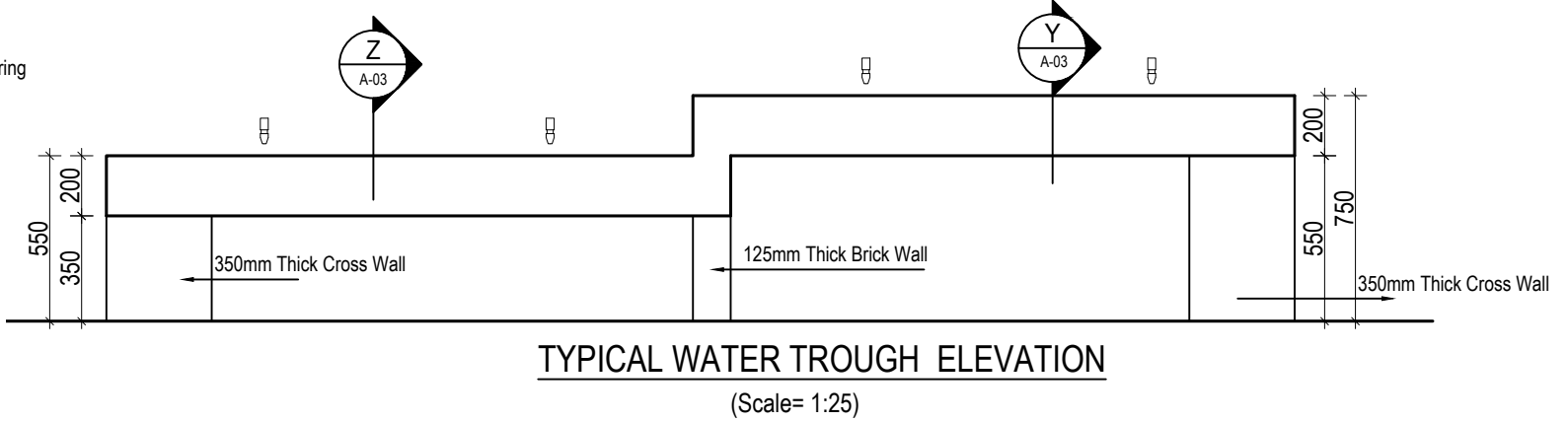
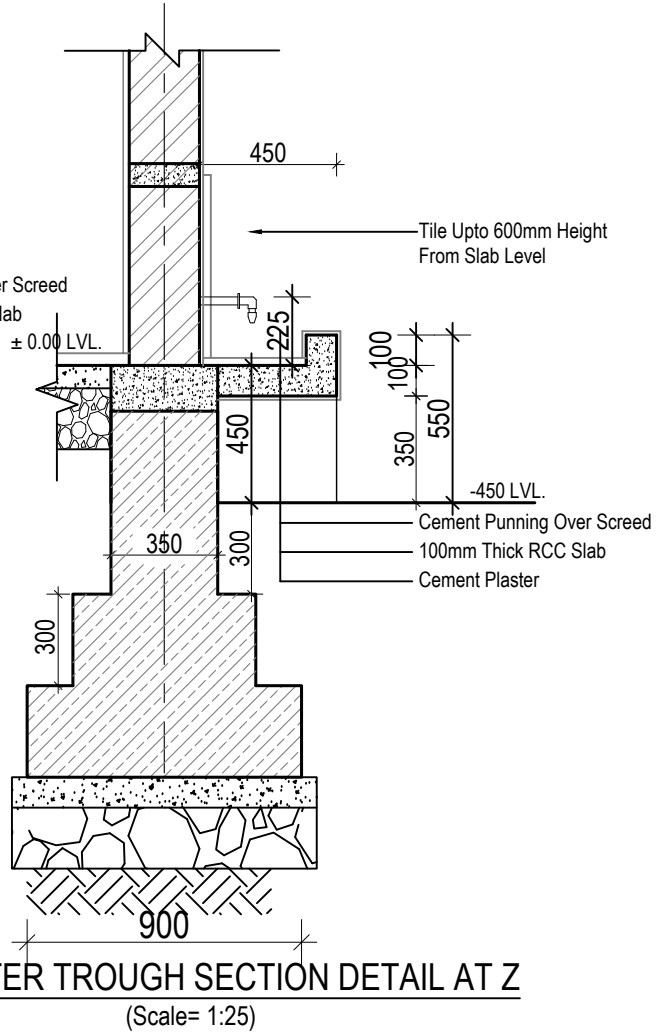
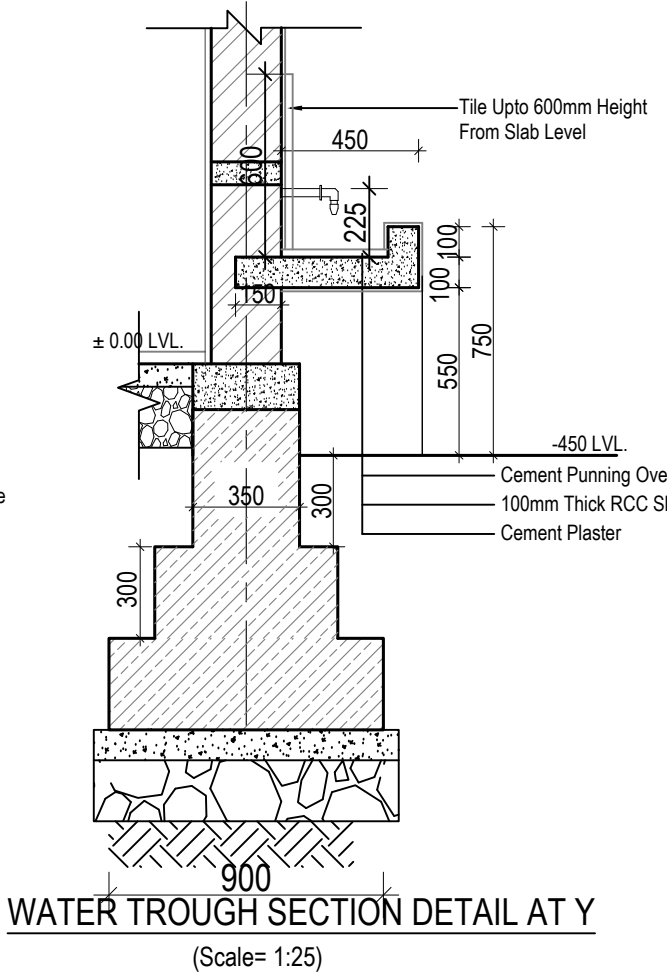
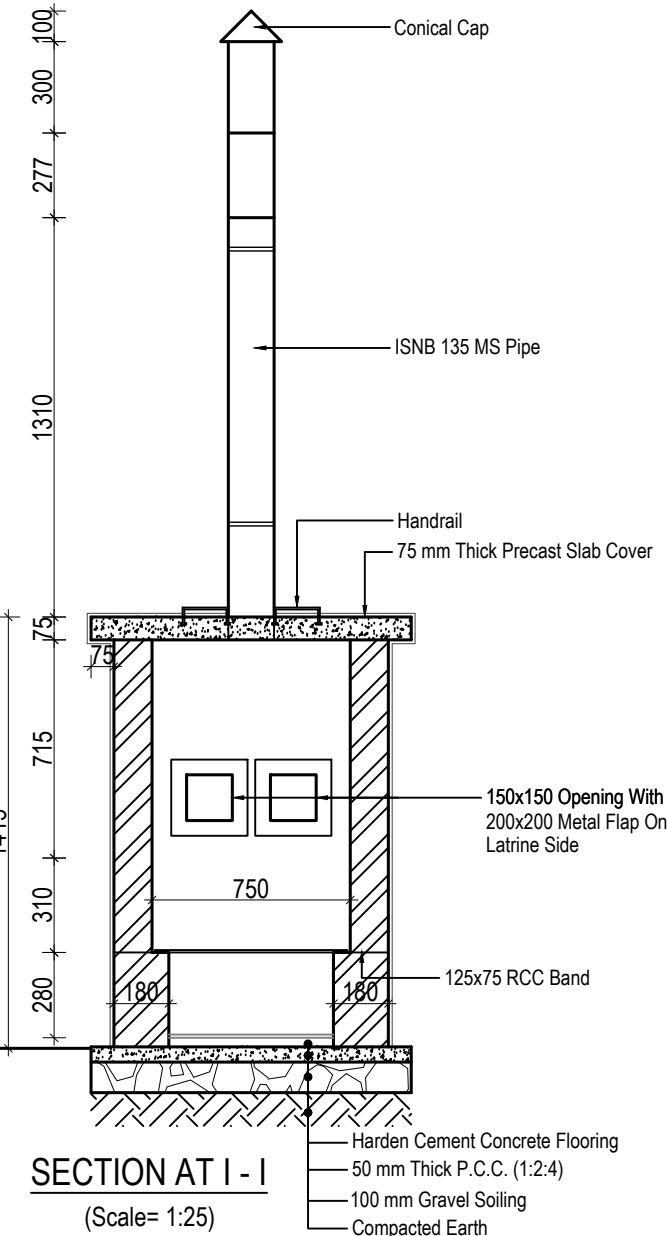
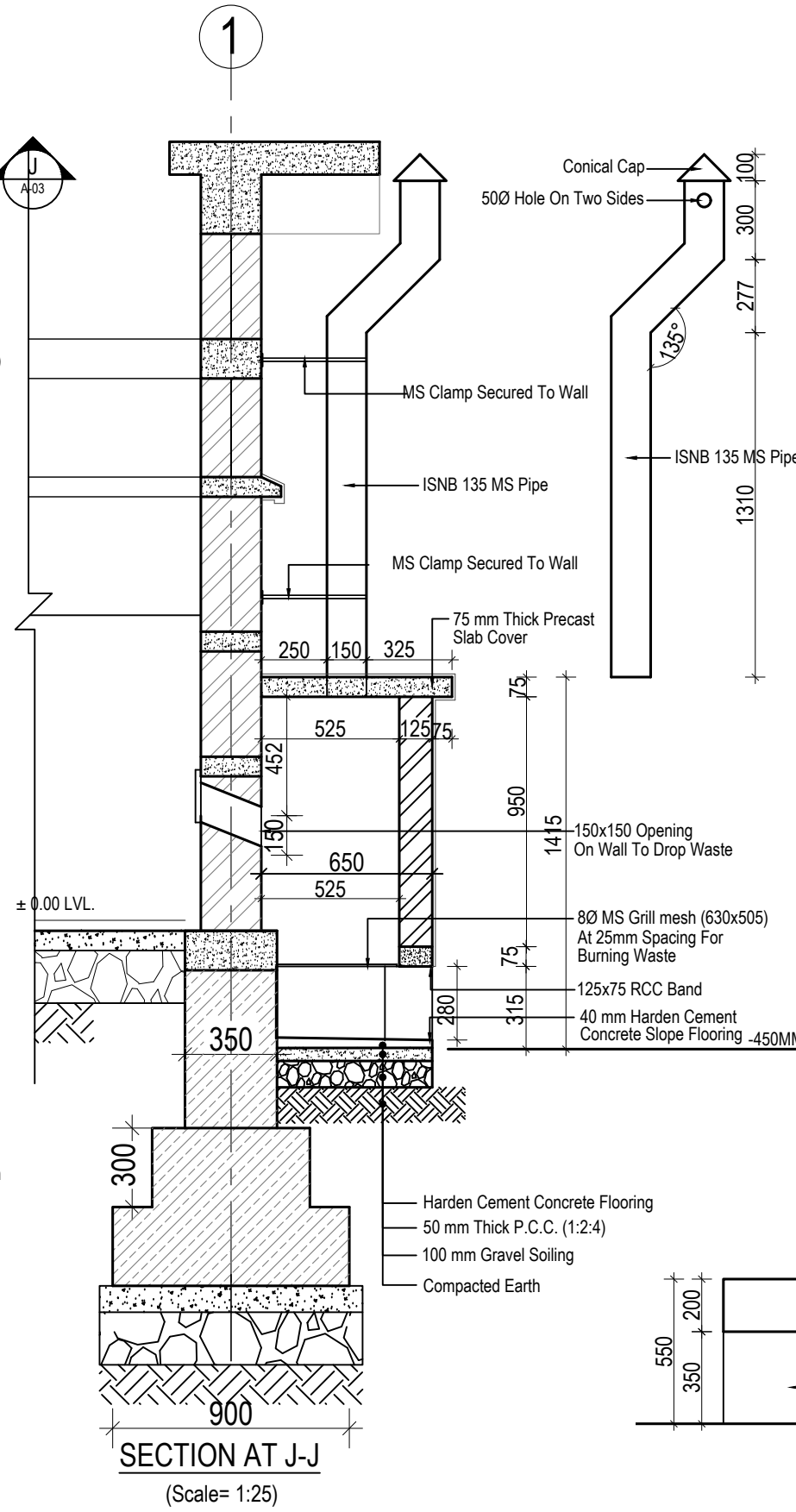
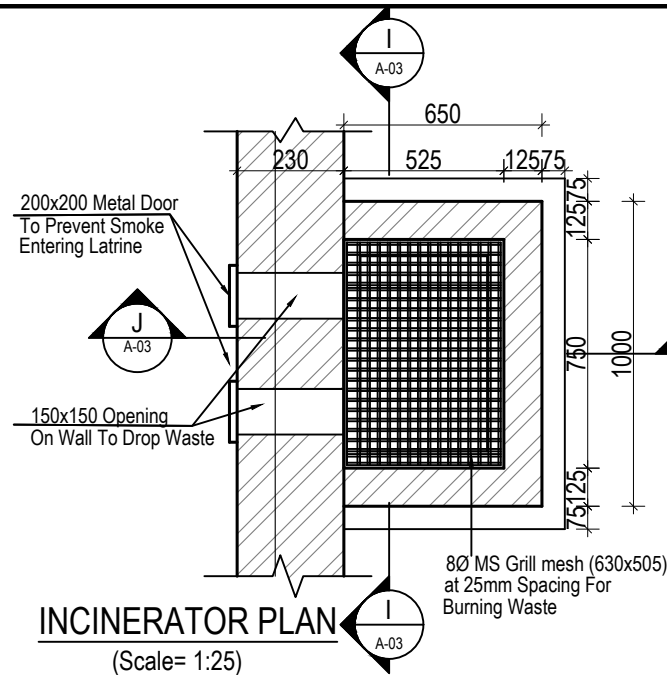
TITLE :
 SECTIONS

Date : May019
 Scale : 1:40

Designed by :
 Checked by :
 Approved by :

Sheet No:

2



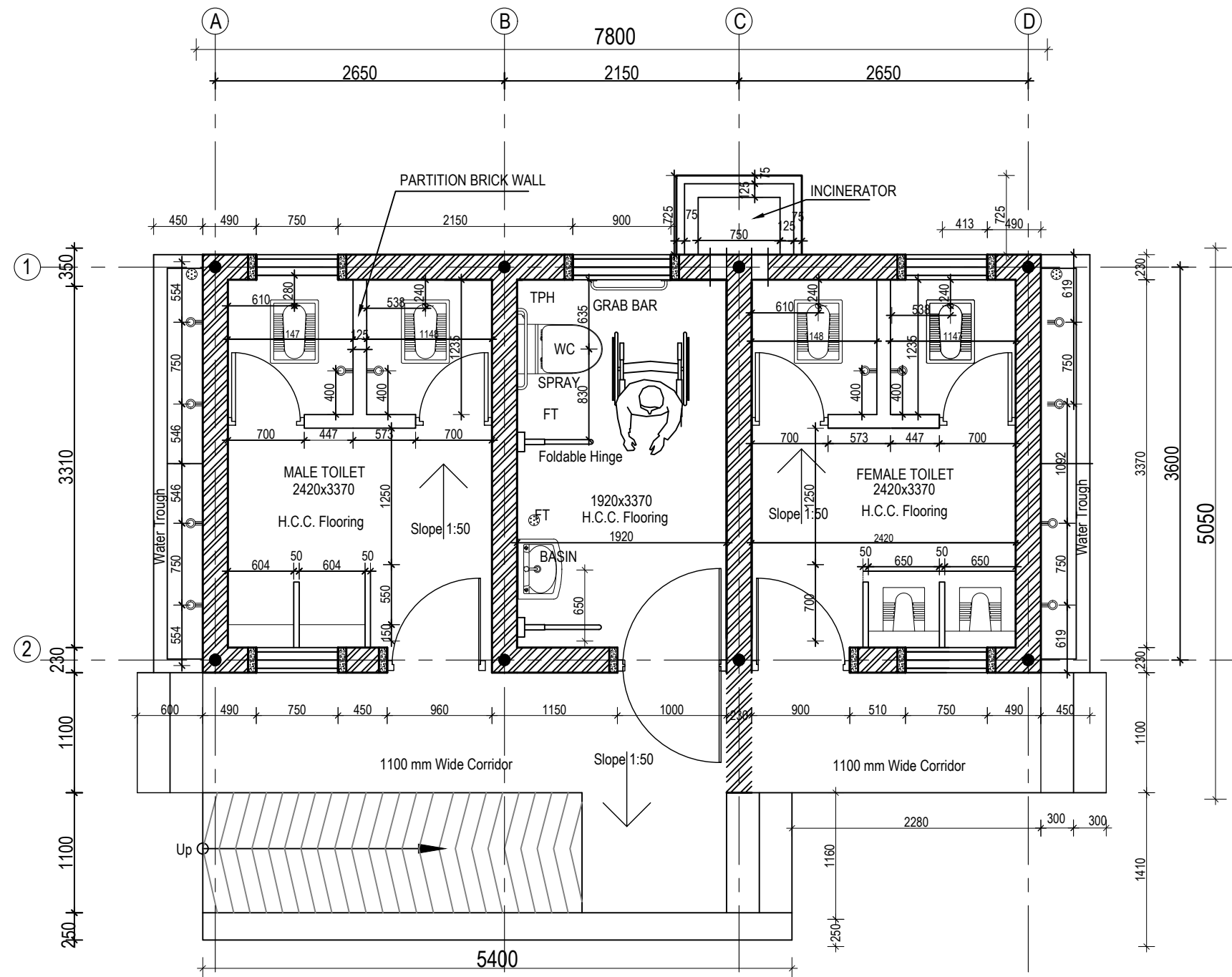
Government of Nepal
National Reconstruction Authority
Central Level Project Implementation Unit (EDU)
Gyaneshwor, Kathmandu

PROJECT :
2M/F-1D Toilet-
Brick (May 2019)

TITLE :
INCINERATOR & WATER
TROUGH DETAILS

Date : May019
Scale : As Mentioned
Designed by :
Checked by :
Approved by :

Sheet No:
3



GROUND FLOOR BLOWOUT PLAN
(Scale= 1:50)

Government of Nepal
National Reconstruction Authority
Central Level Project Implementation Unit (EDU)
Gyaneshwor, Kathmandu

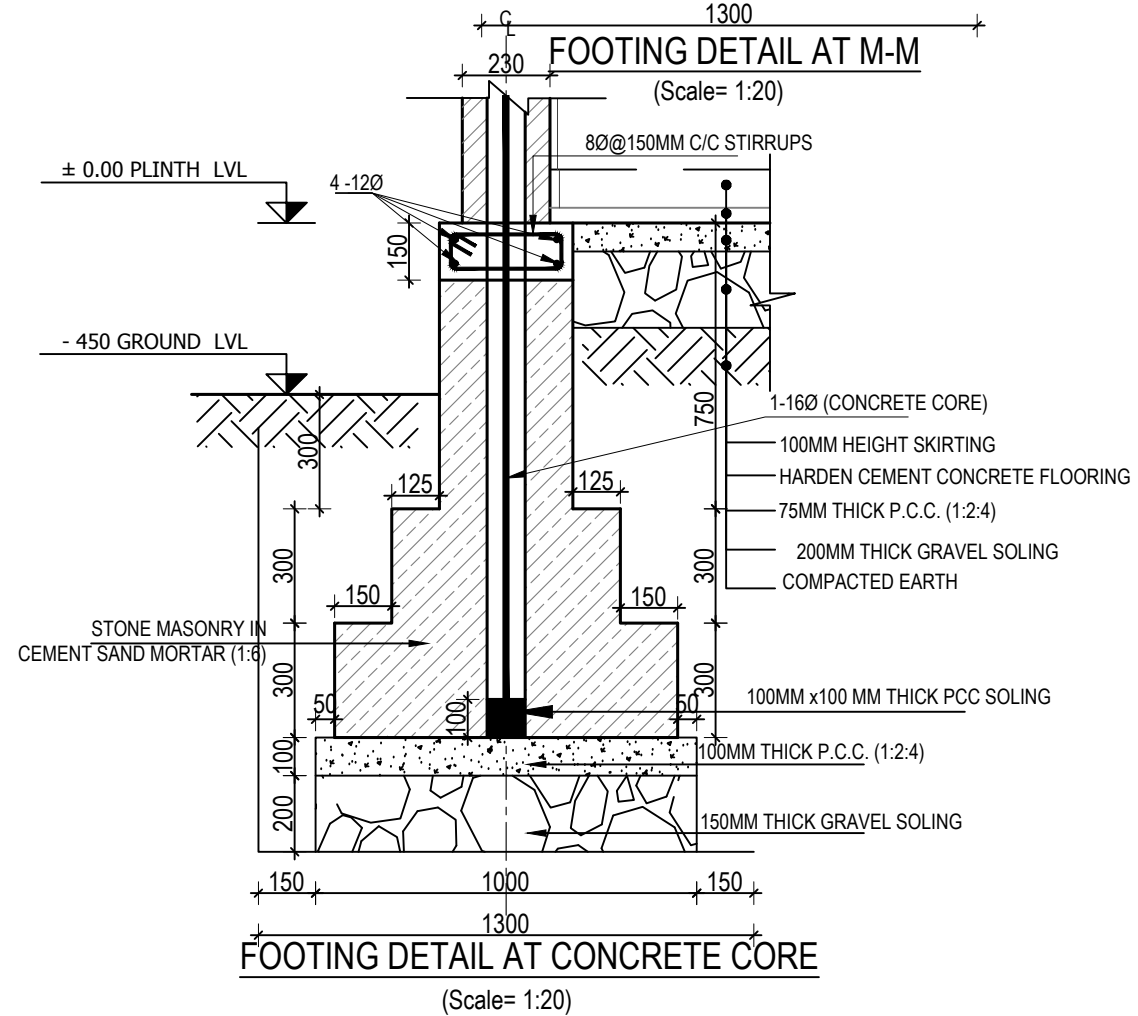
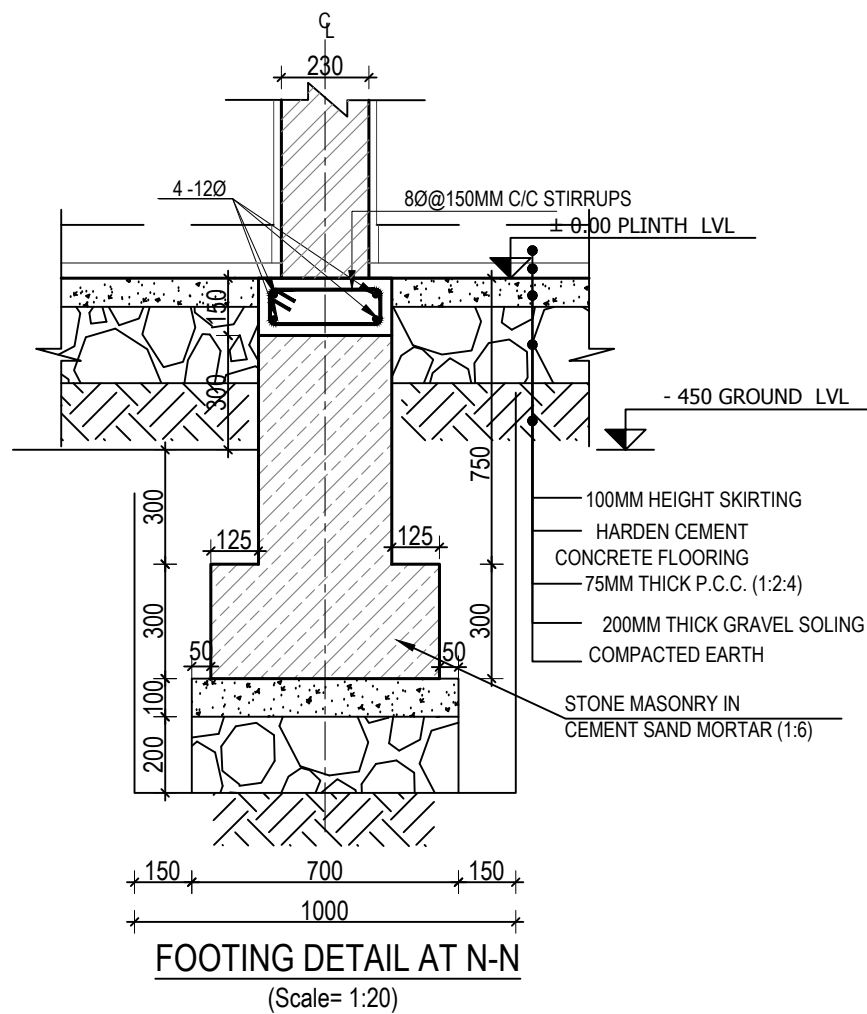
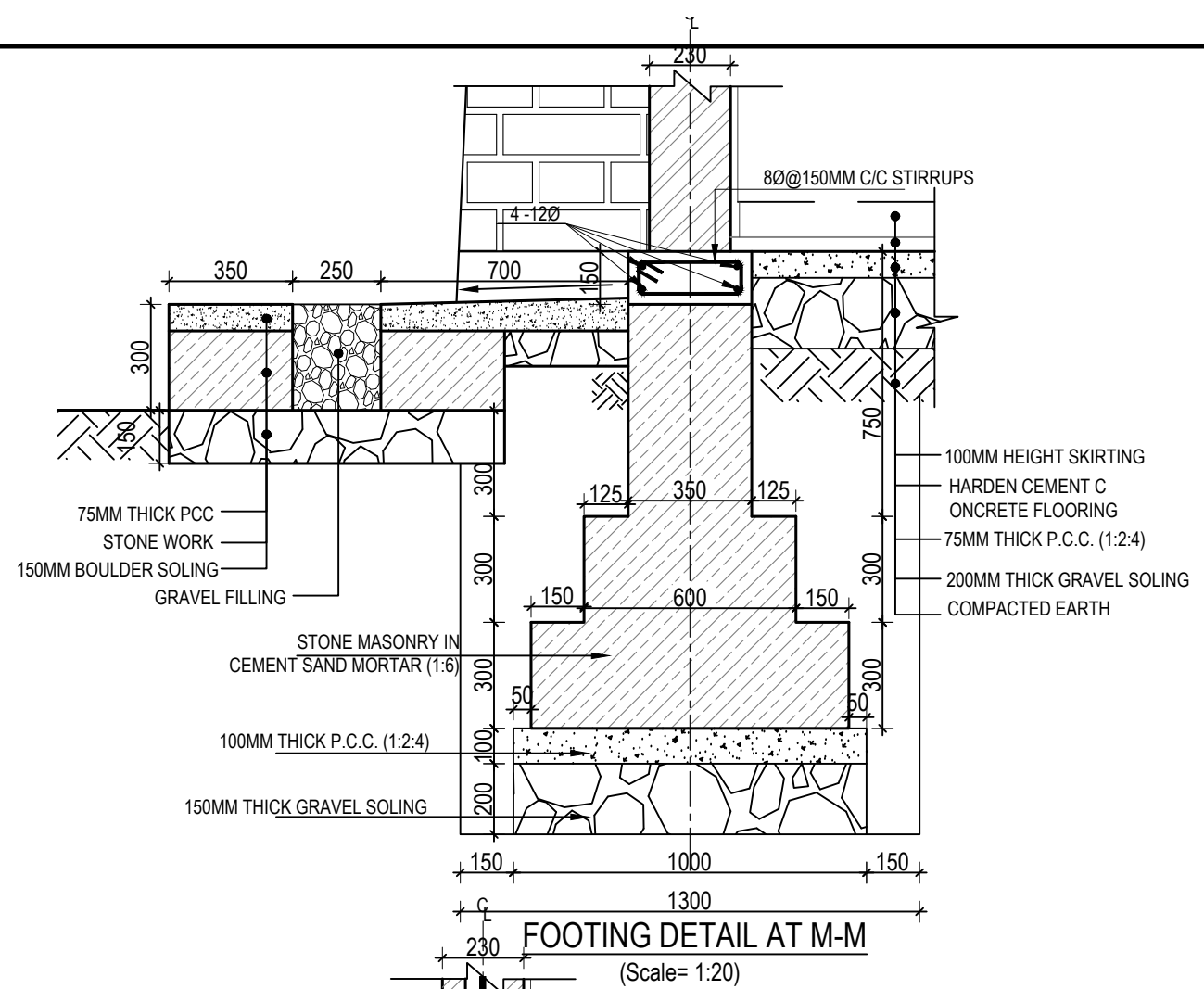
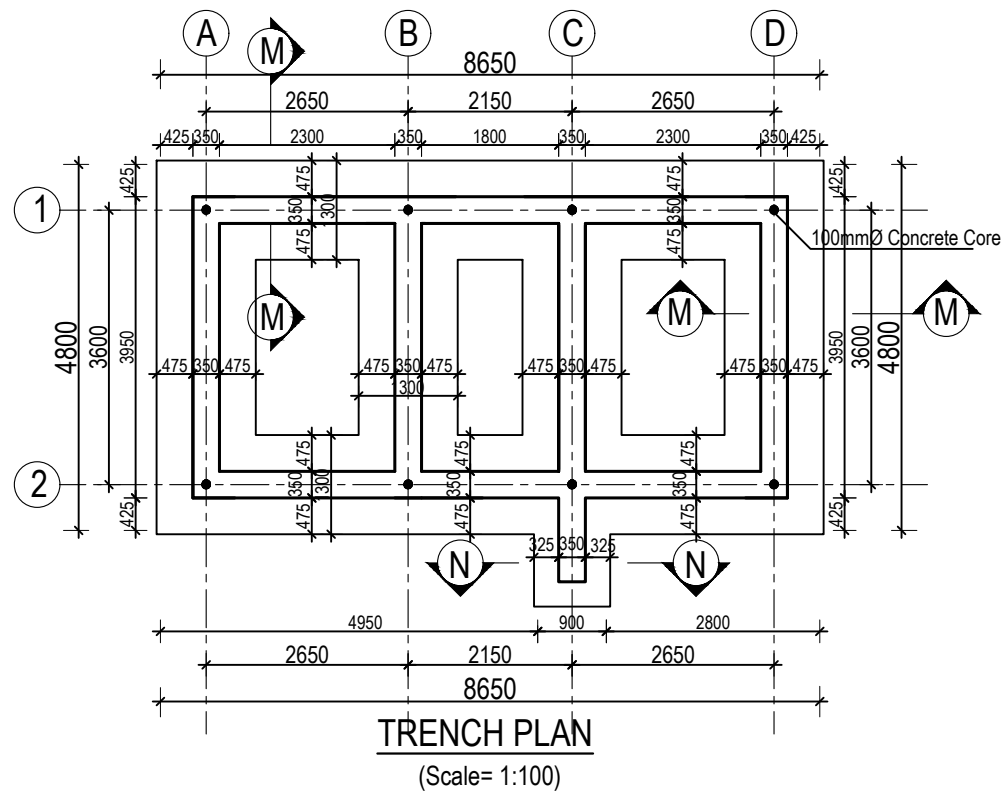
PROJECT :
2M/F-1D Toilet-
Brick (May 2019)

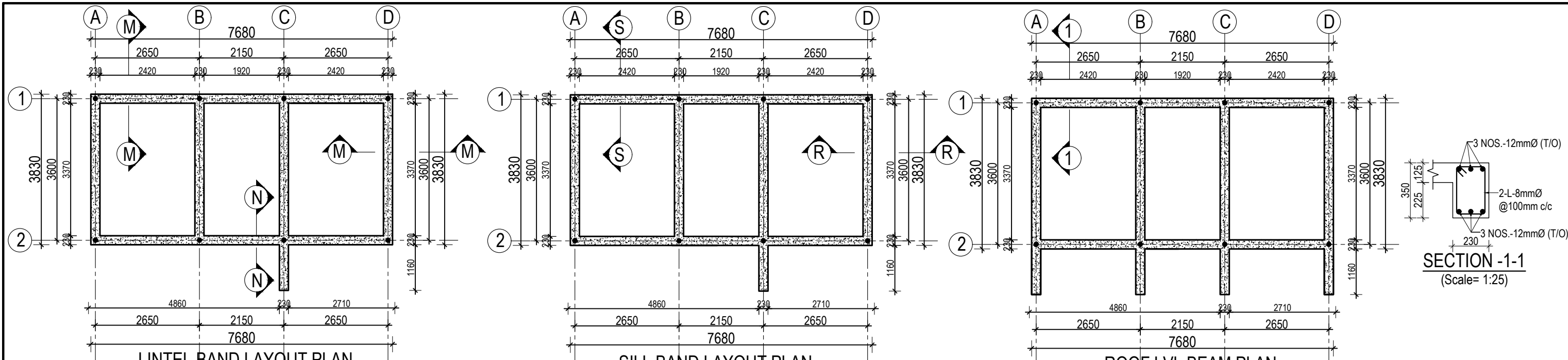
TITLE :
TOILET BLOW UP PLAN

Date :	May019
Scale :	As Mentioned
Designed by :	
Checked by :	
Approved by :	

Sheet No:

4

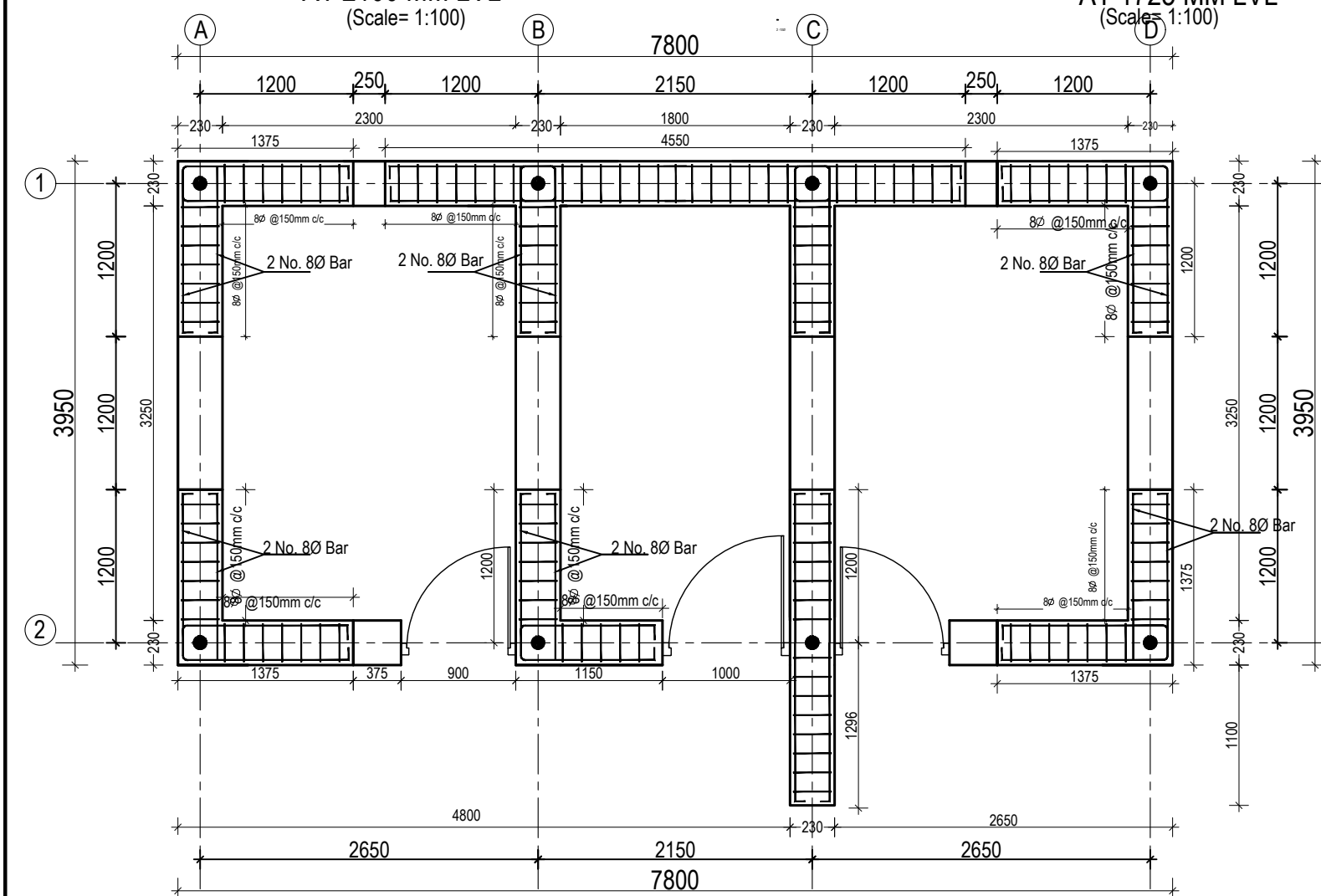




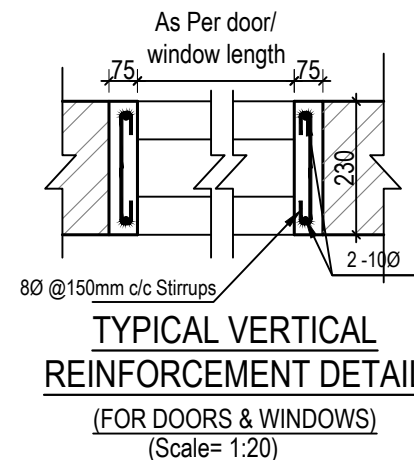
LINTEL BAND LAYOUT PLAN
AT 2100 MM LVL
(Scale= 1:100)

SILL BAND LAYOUT PLAN
AT 1725 MM LVL
(Scale= 1:100)

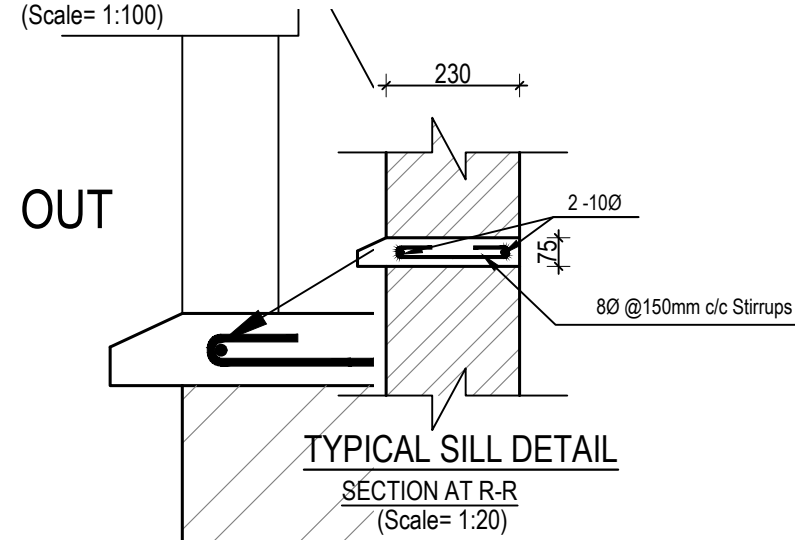
ROOF LVL BEAM PLAN
AT 2558 MM LVL
(Scale= 1:100)



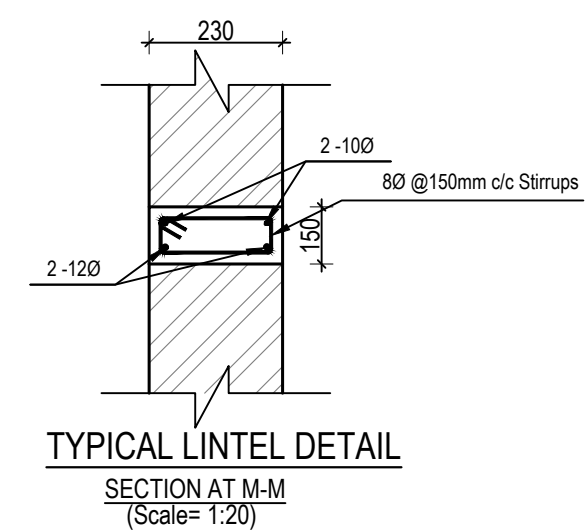
DOWEL REINFORCEMENT PLAN & DETAILS
AT 662 MM, 1137 MM LVL
(Scale= 1:50)



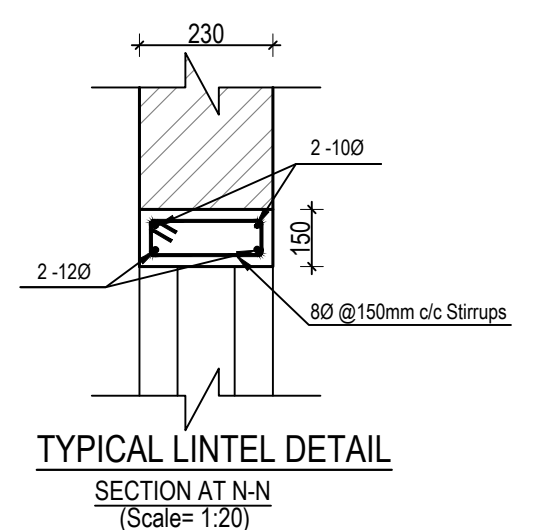
TYPICAL VERTICAL
REINFORCEMENT DETAIL
(FOR DOORS & WINDOWS)
(Scale= 1:20)



TYPICAL SILL DETAIL
SECTION AT R-R
(Scale= 1:20)

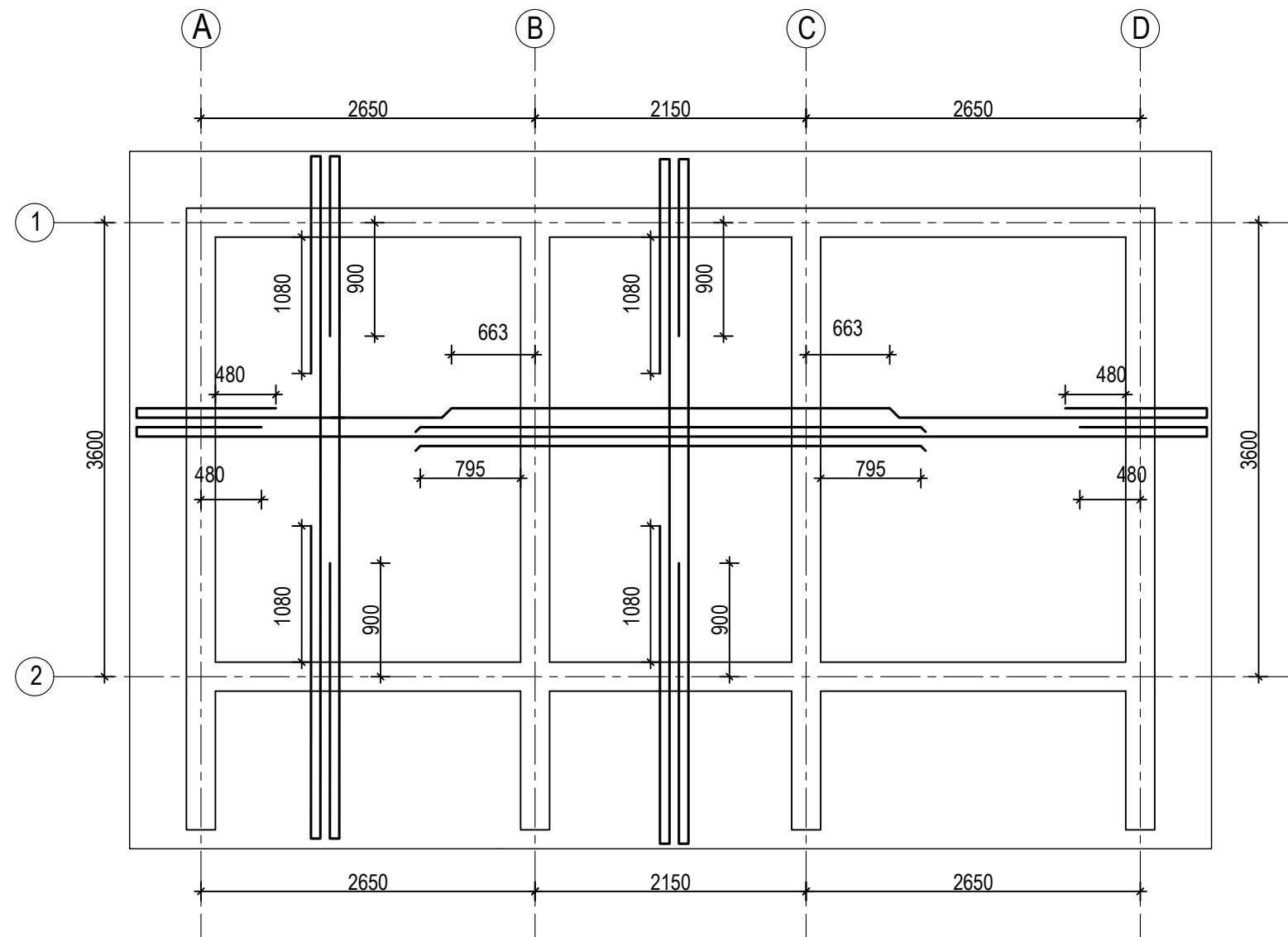


TYPICAL LINTEL DETAIL
SECTION AT M-M
(Scale= 1:20)

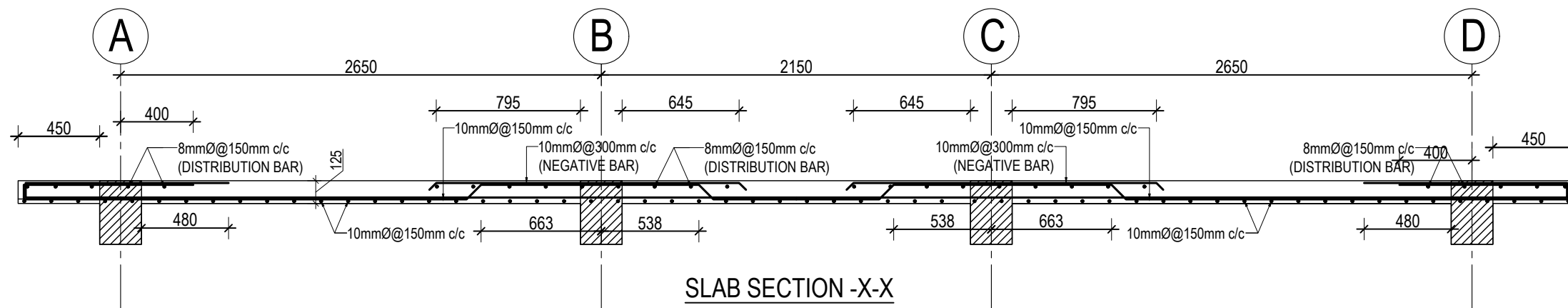


TYPICAL LINTEL DETAIL
SECTION AT N-N
(Scale= 1:20)

Government of Nepal National Reconstruction Authority Central Level Project Implementation Unit (EDU) Gyaneshwor, Kathmandu	PROJECT : 2M/F-1D Toilet- Brick (May 2019)	TITLE : LINTEL, SILL & BEAM BAND PLAN & DETAILS, DOWEL REINFORCEMENT DETAILS	Date : May019	Sheet No: 6
			Scale : As Mentioned	
			Designed by :	
			Checked by :	
			Approved by :	



SLAB REINFORCEMENT PLAN
(Scale= 1:50)



SLAB SECTION -X-X
(SCALE = 1:30)

Government of Nepal
National Reconstruction Authority
Central Level Project Implementation Unit (EDU)
Gyaneshwor, Kathmandu

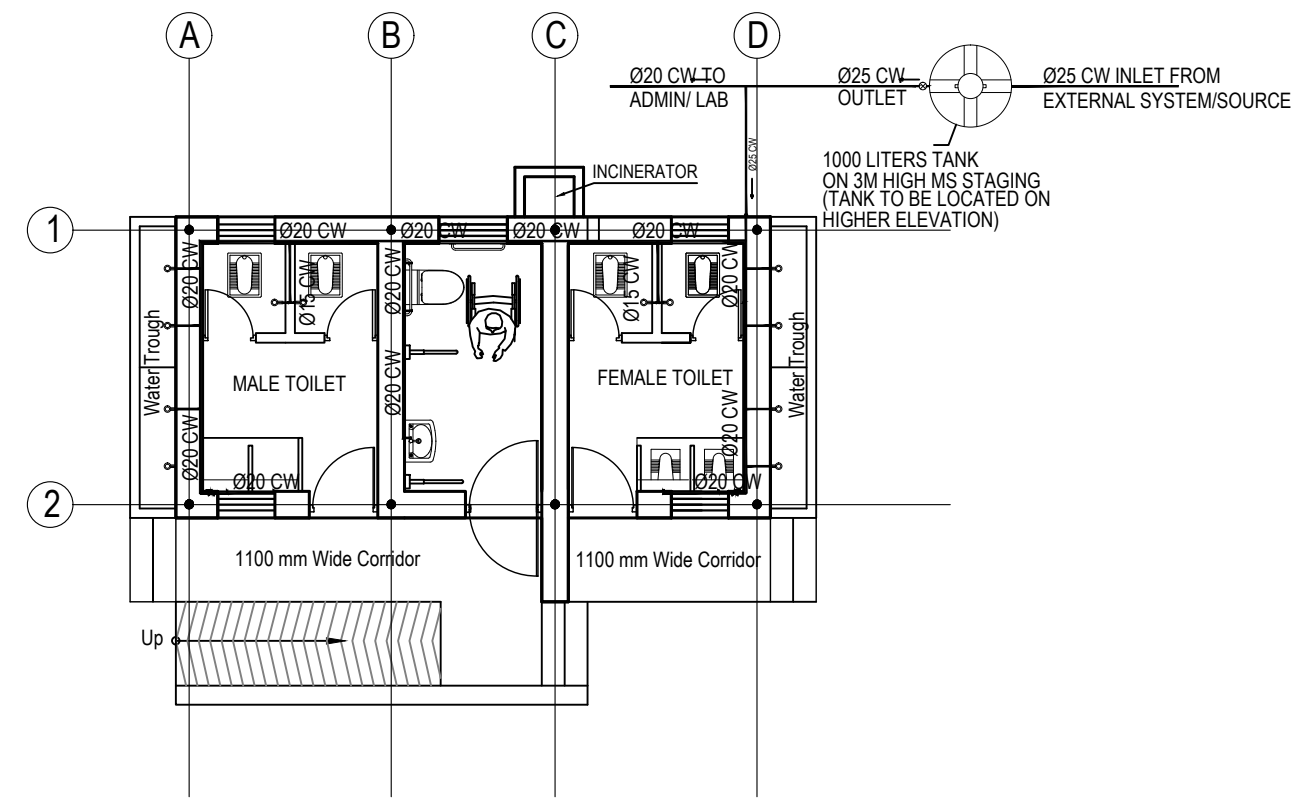
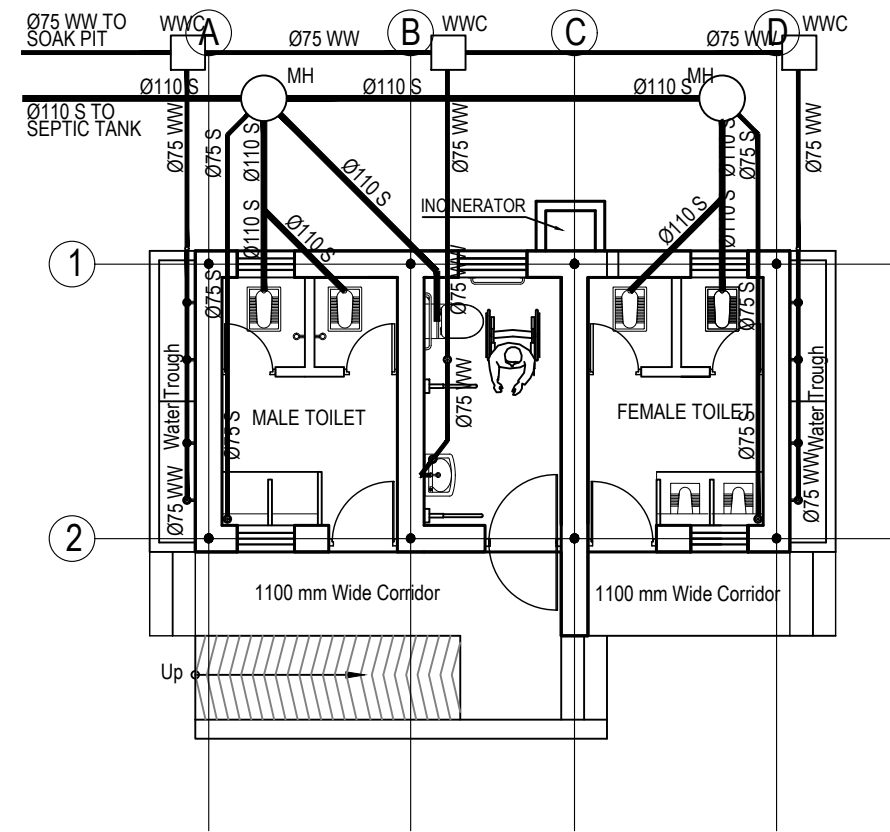
PROJECT :
2M/F-1D Toilet-
Brick (May 2019)

TITLE :
SLAB REINFORCEMENT
DETAILS

Date :	May019
Scale :	As Mentioned
Designed by :	
Checked by :	
Approved by :	

Sheet No:

7



Government of Nepal
 National Reconstruction Authority
 Central Level Project Implementation Unit (EDU)
 Gyaneshwor, Kathmandu

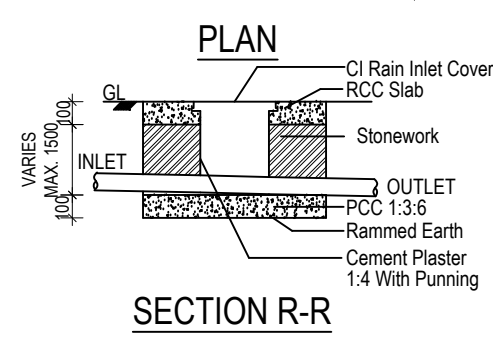
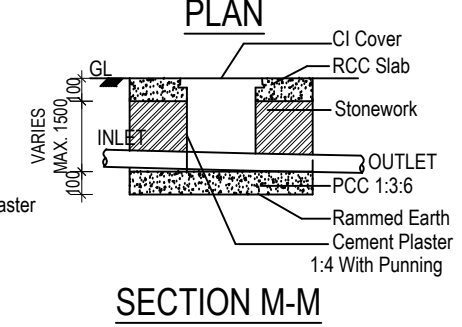
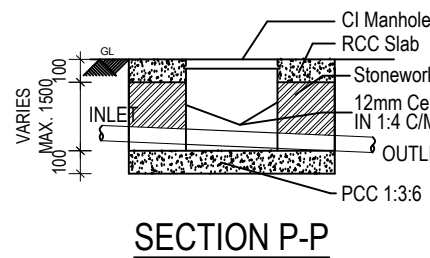
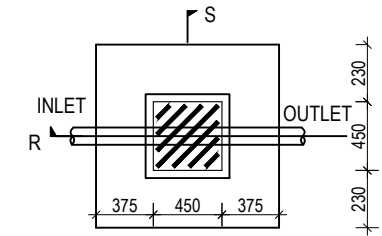
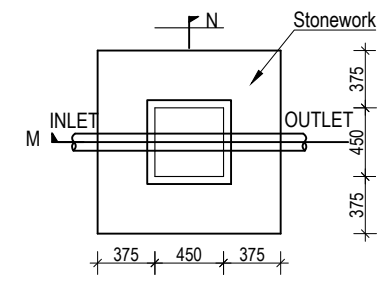
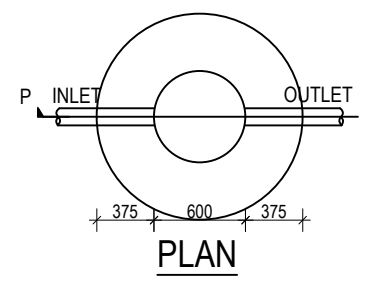
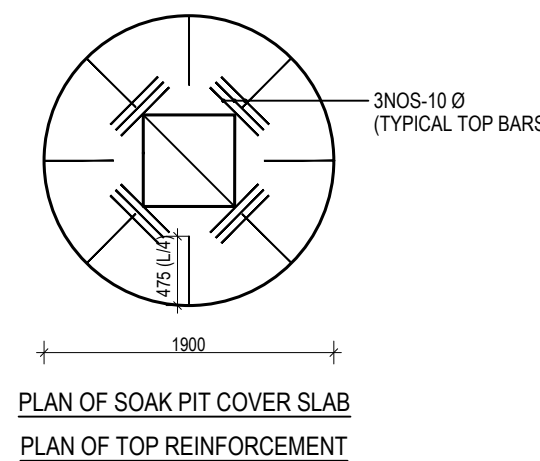
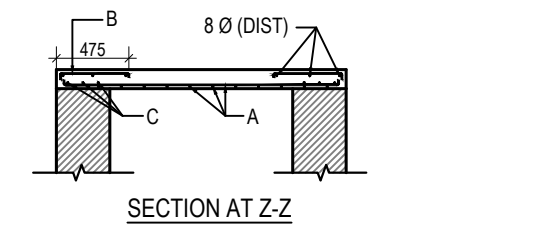
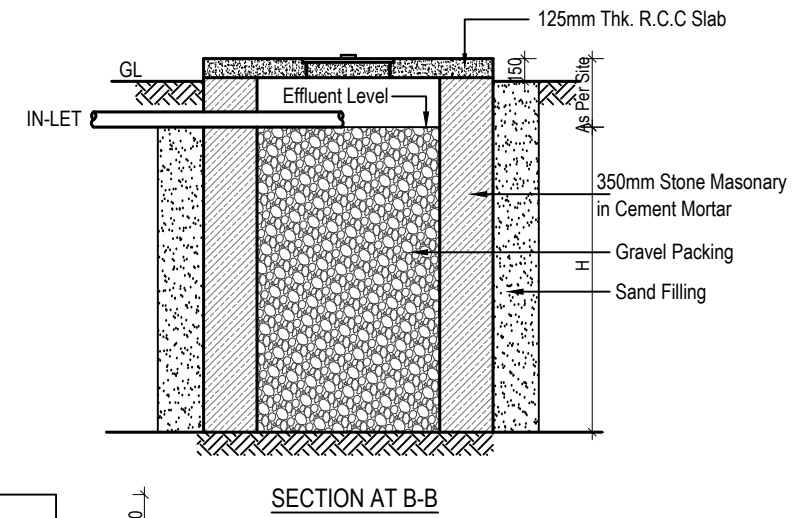
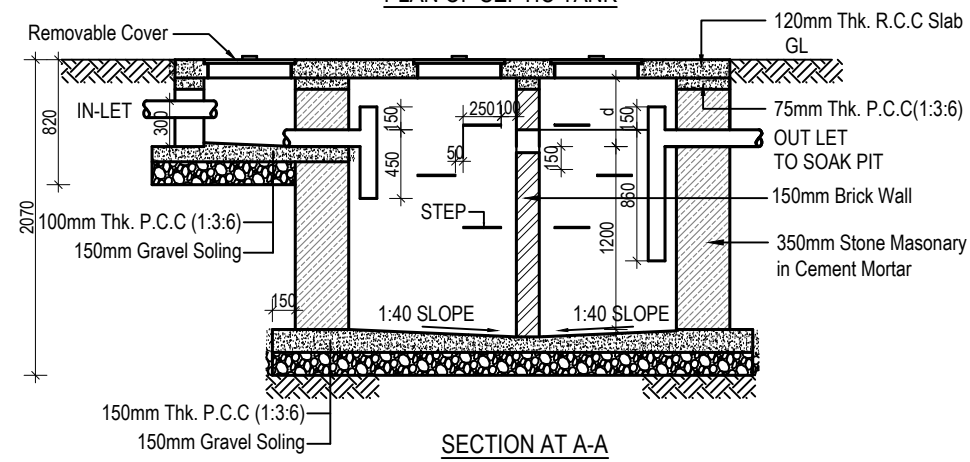
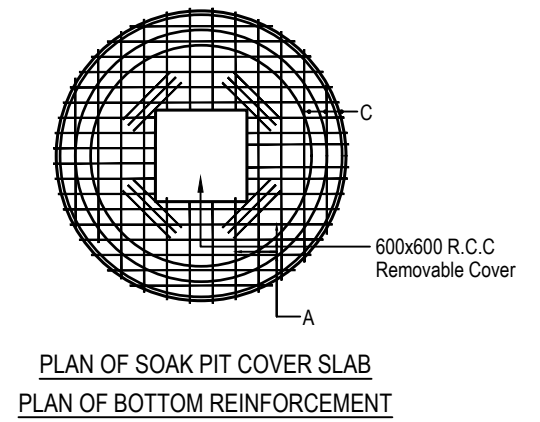
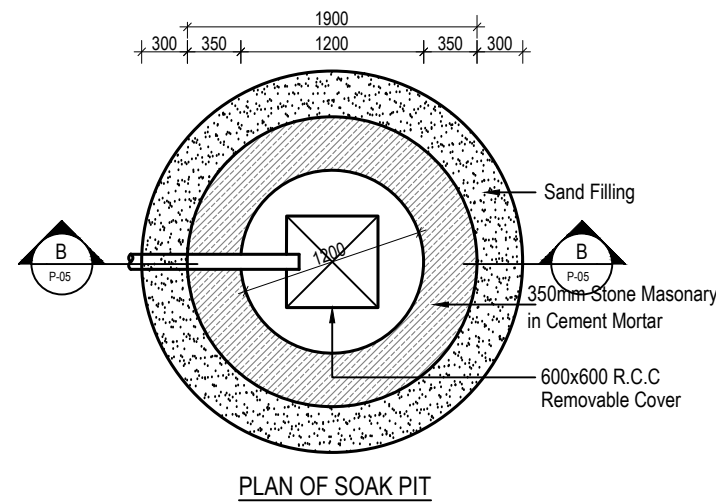
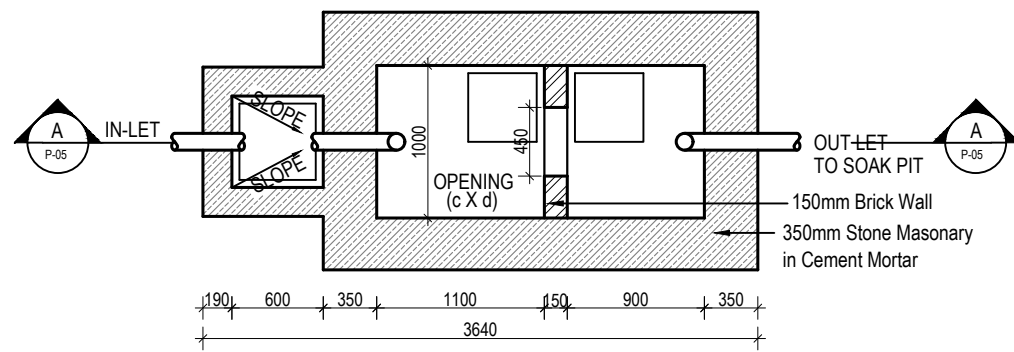
PROJECT :
 2M/F-1D Toilet-
 Brick (May 2019)

TITLE :
 WATER SUPPLY, SOIL, WASTE
 PIPE LAYOUT & WATER

Date :	May019
Scale :	As Mentioned
Designed by :	
Checked by :	
Approved by :	

Sheet No:

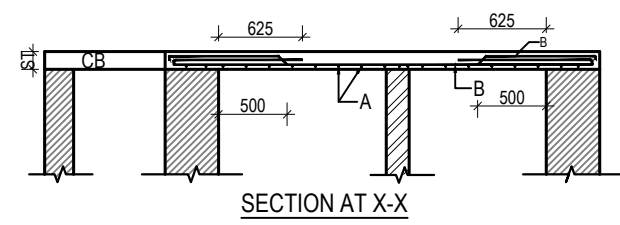
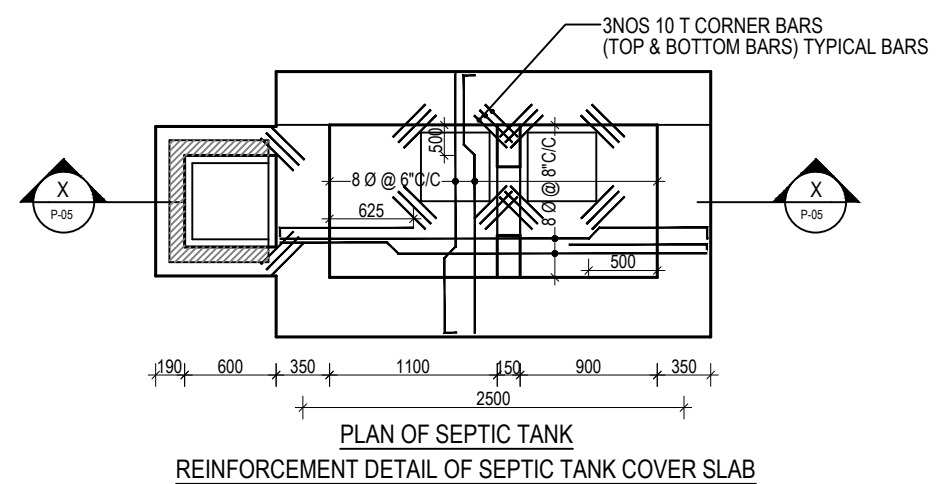
8



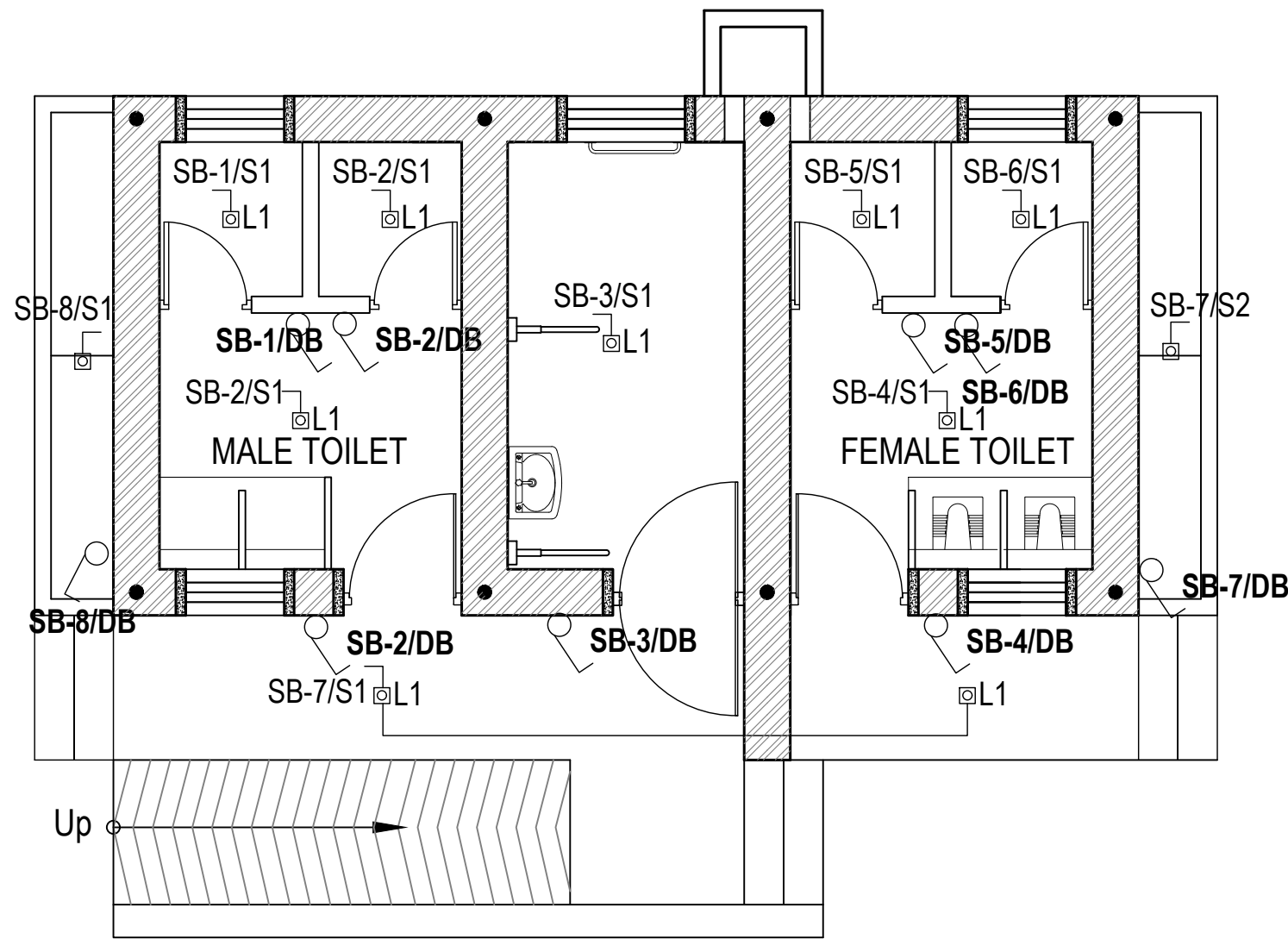
SEWER MANHOLE FOR DEPTH UPTO 1.5M

SECTION N-N WASTE CHAMBER MANHOLE & CHAMBERS

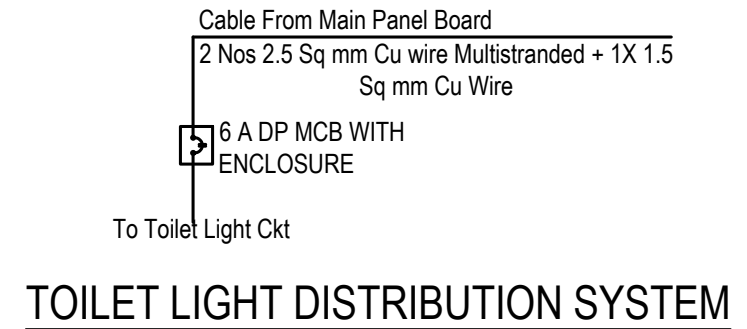
SECTION S-S RAIN INLET CHAMBER



Government of Nepal National Reconstruction Authority Central Level Project Implementation Unit (EDU) Gyaneshwor, Kathmandu	PROJECT :	2M/F-1D Toilet-Brick (May 2019)	TITLE :	SOAK PIT & SEPTIC TANK DETAILS	Date :	May019	Sheet No: 9	
					Scale :	As Mentioned		
						Designed by :		
						Checked by :		
						Approved by :		



TOILET 1-3(T) PLAN
LIGHT LAYOUT



LEGENDS

S.No.	Symbols	Description	Mounting Height
1.	☐	6 W LED Square Panel Light of 360 Lumen	Attached to the Ceiling
2.	▣	6 A DP MCB WITH ENCLOSURE	2.5 m above the Ground Level