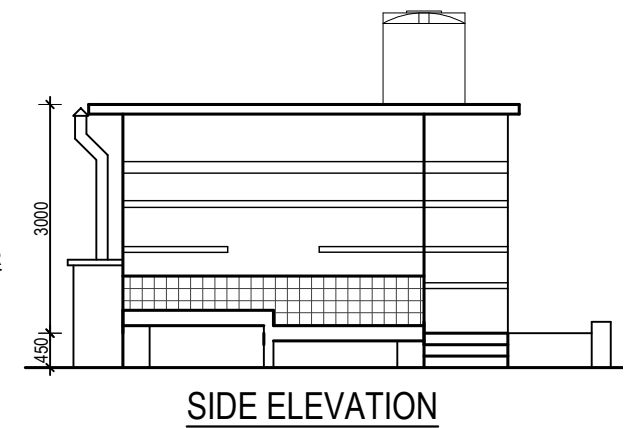
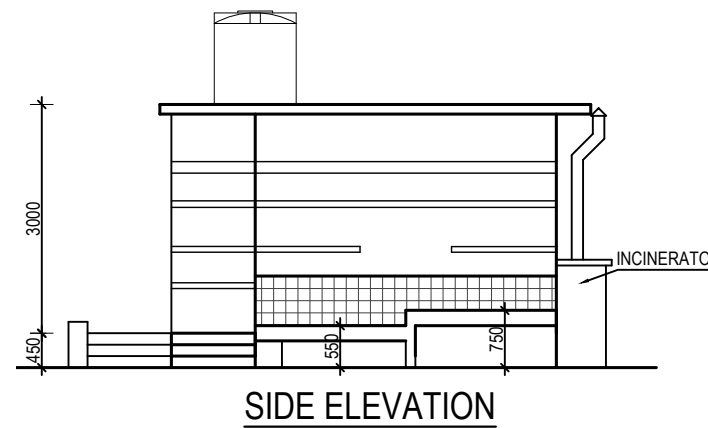
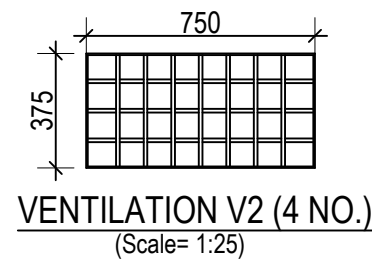
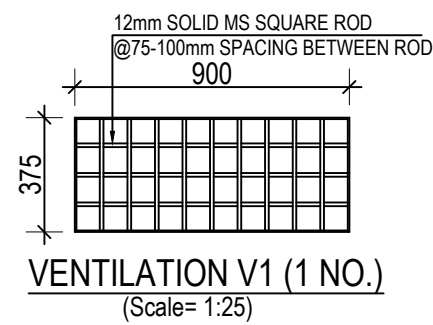
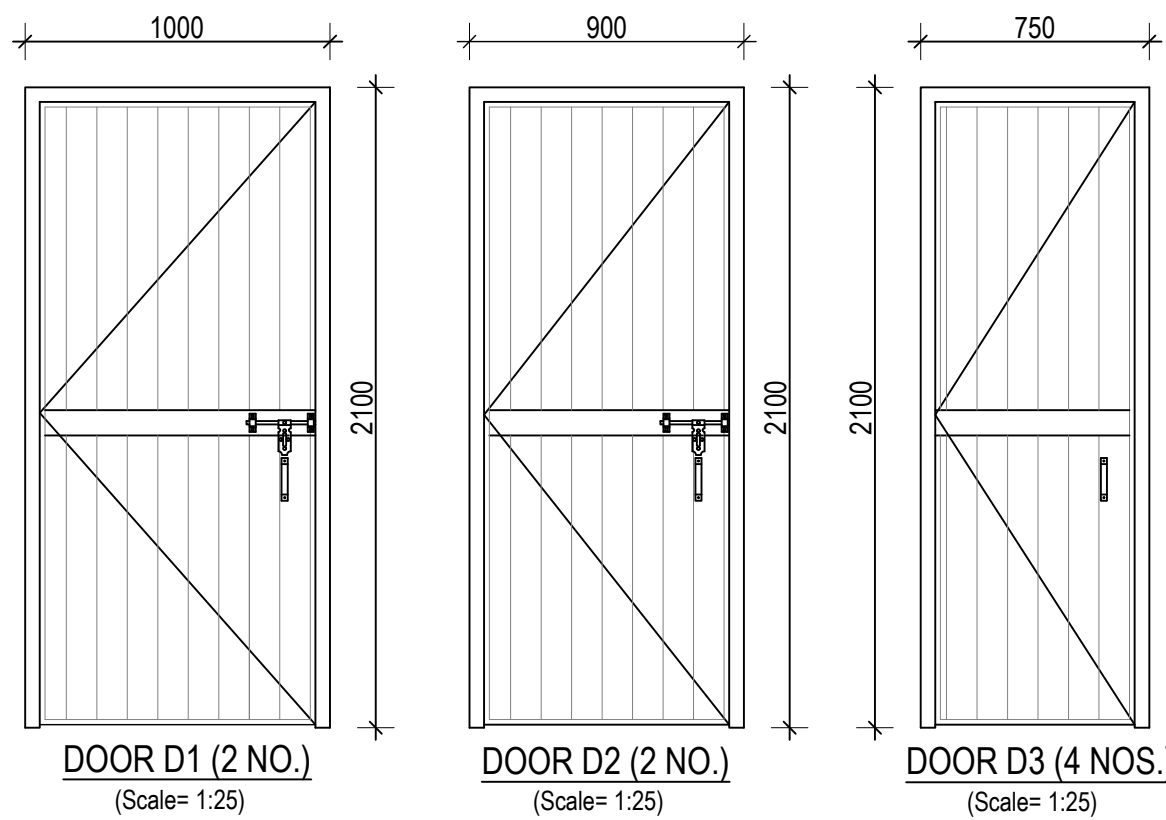
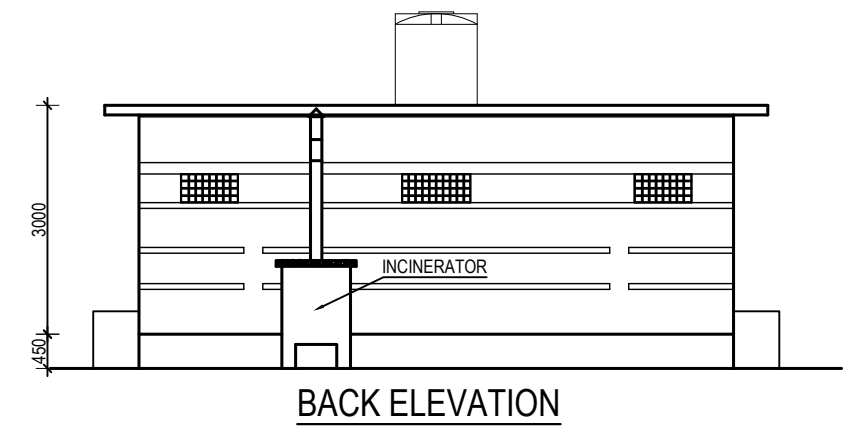
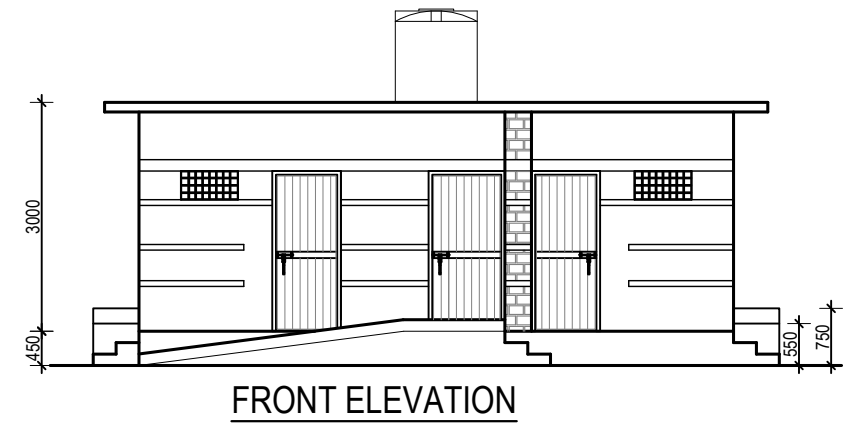
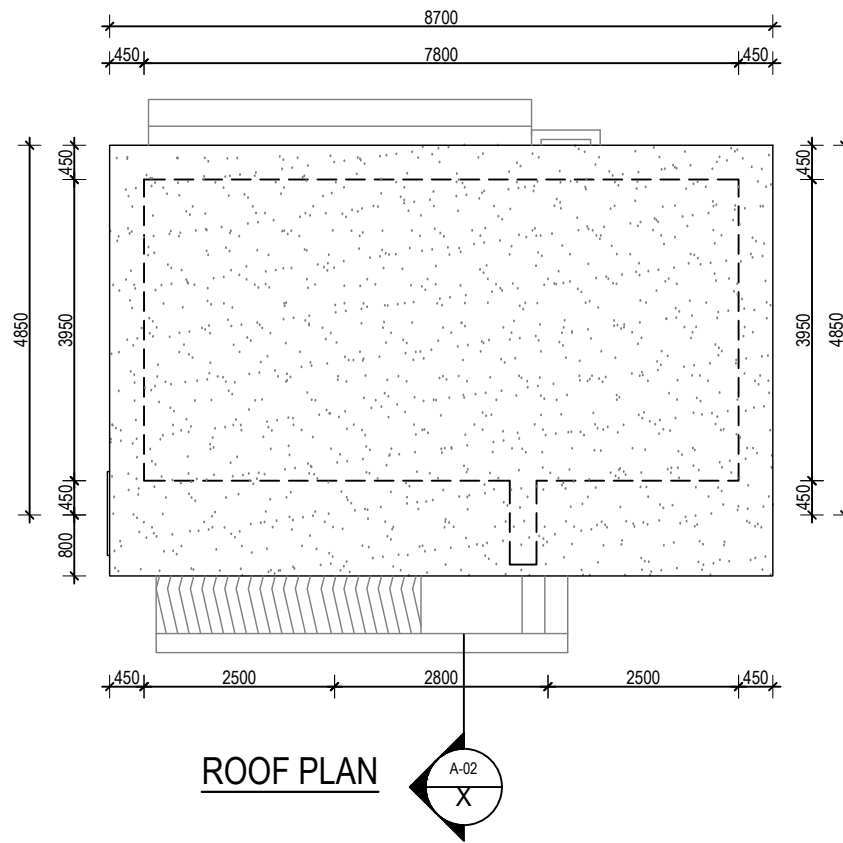
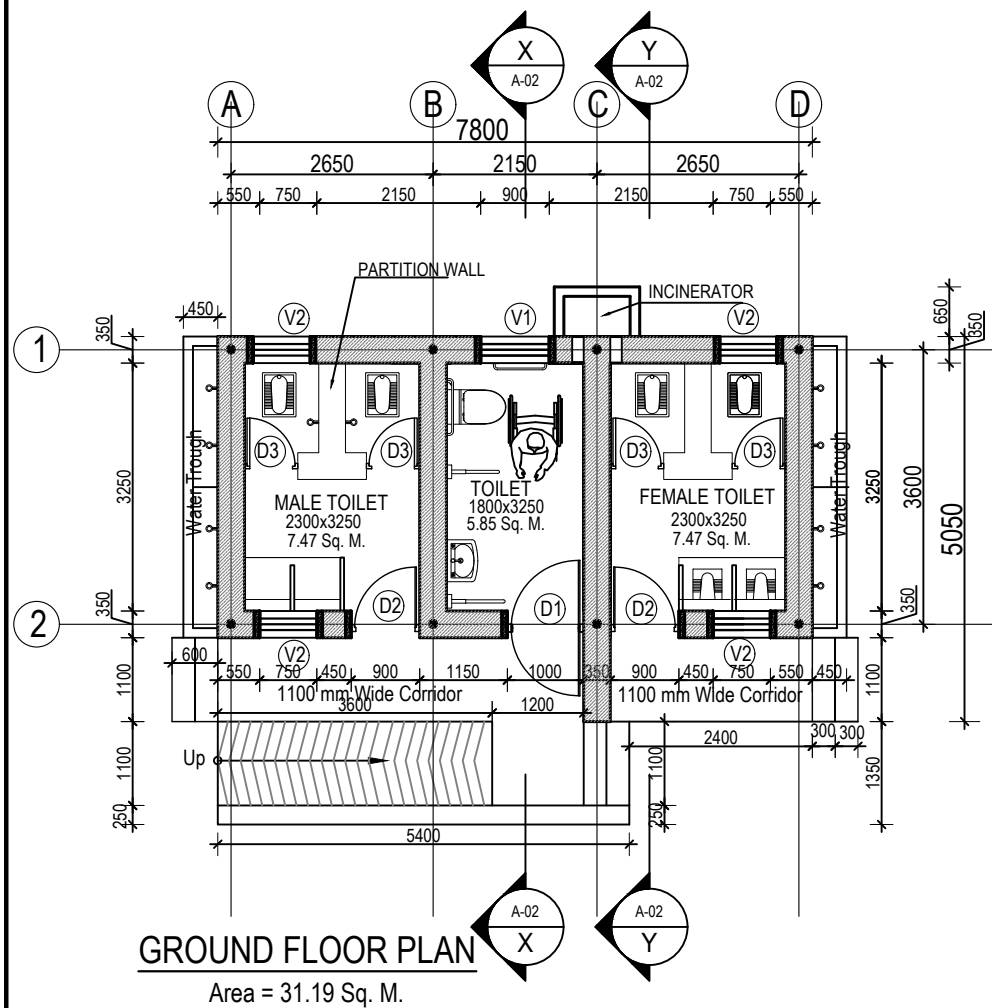


Government of Nepal  
National Reconstruction Authority  
Central Level Project Implementation Unit (EDU)  
Gyaneshwor, Kathmandu

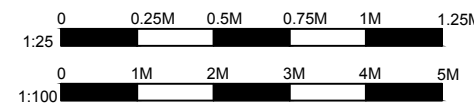
2M/F-1D Toilet- Stone

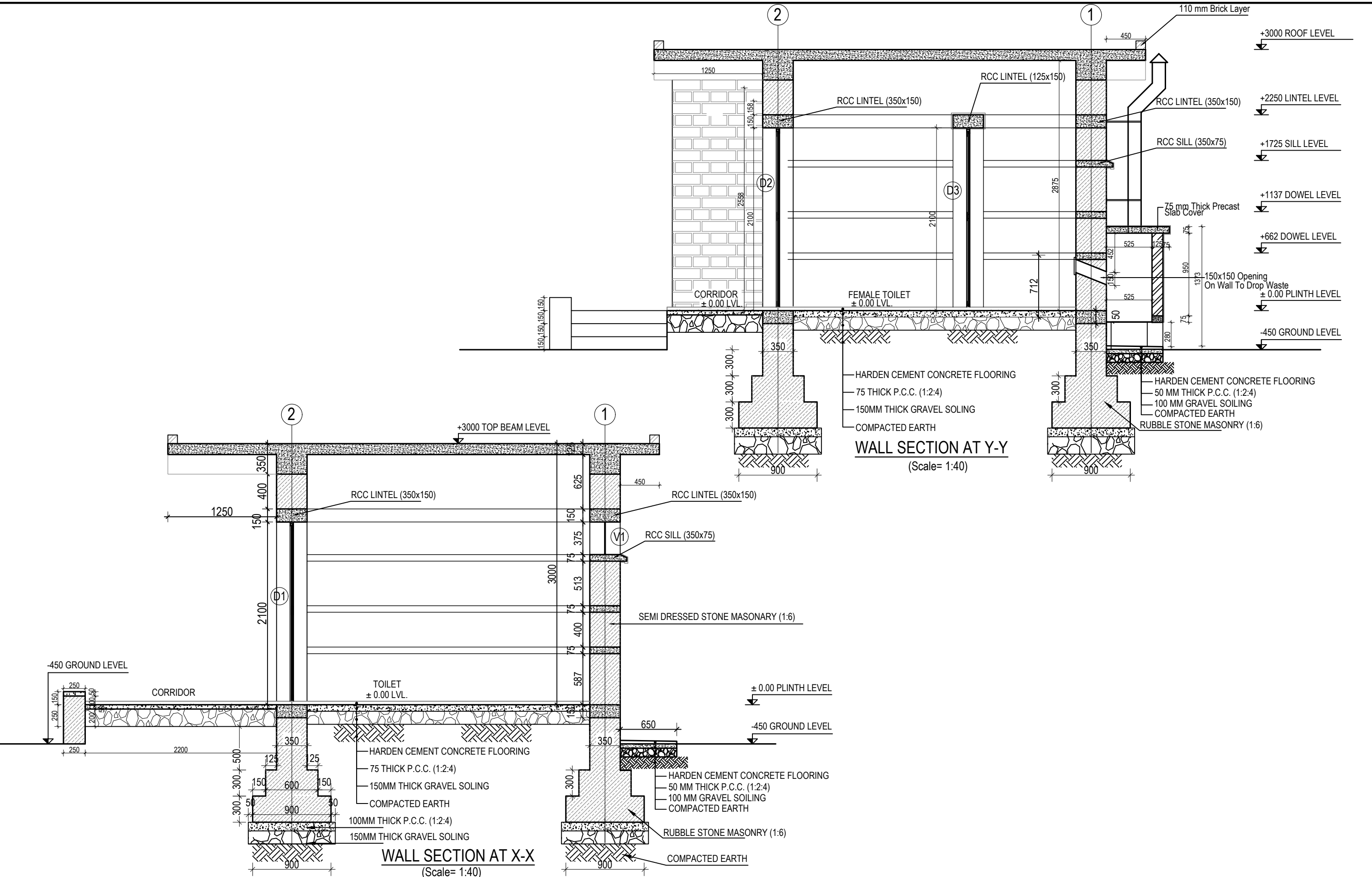
(May 2019)



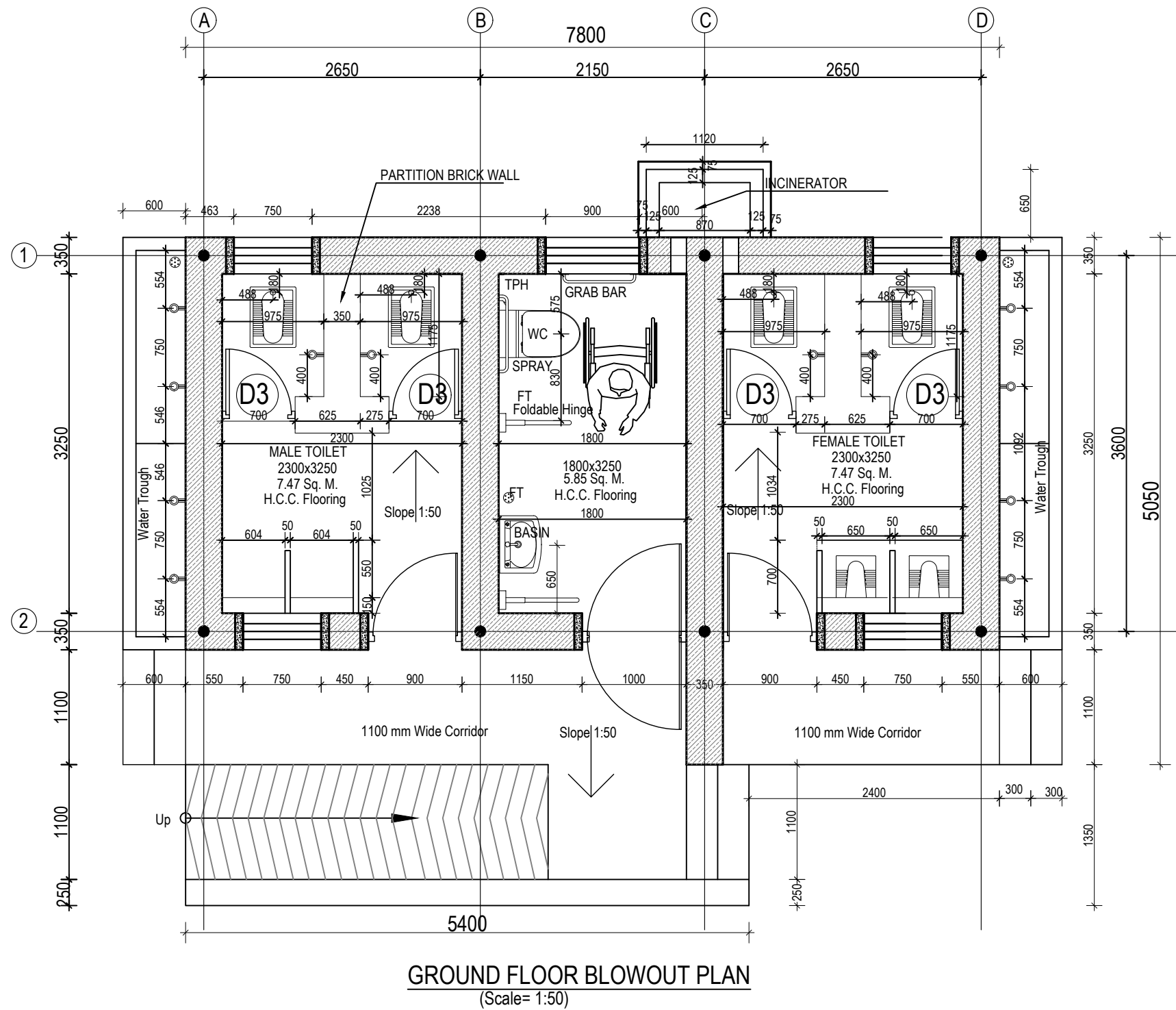
**DOORS & WINDOWS SCHEDULE:**

S.N.	SYMBOL	SIZES	NOS.	REMARKS
1.	V1	900x 375	1	MS Frame
2.	V2	750x 325	4	MS Frame
3.	D1	1000 x 2100	1	UPVC/ Wood/ Frame & Shutter
4.	D2	900 x 2100	2	UPVC/ Wood/ Frame & Shutter
5.	D3	750 x 2100	4	UPVC/ Wood/ Frame & Shutter
<b>TOTAL</b>			12	









Government of Nepal  
National Reconstruction Authority  
Central Level Project Implementation Unit (EDU)  
Gyaneshwor, Kathmandu

PROJECT :  
2M/F-1D Toilet-  
Stone (May 2019)

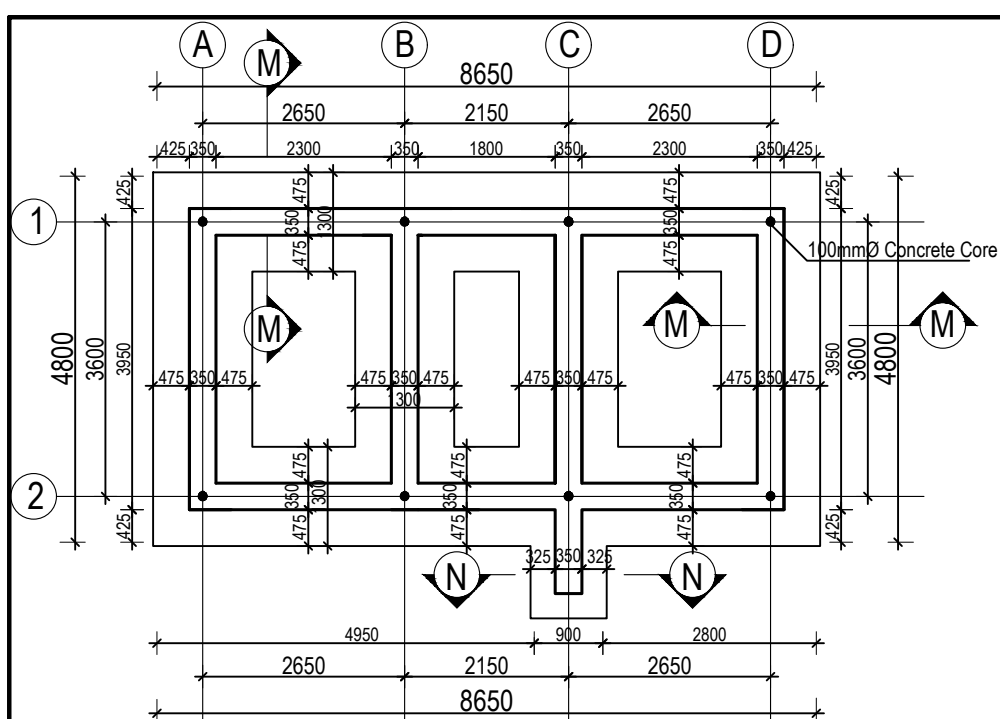
TITLE :  
TOILET BLOW UP PLAN

Date : May019  
Scale : As Mentioned

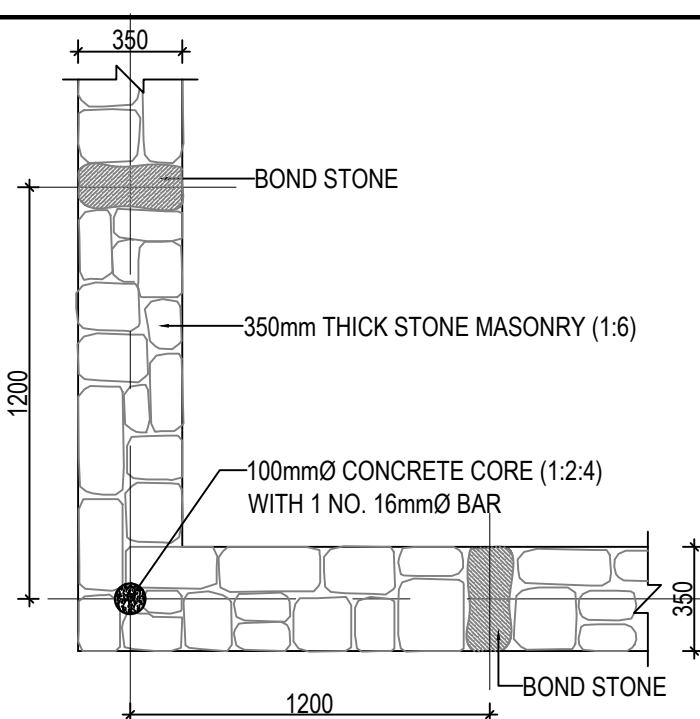
Designed by :  
Checked by :  
Approved by :

Sheet No:

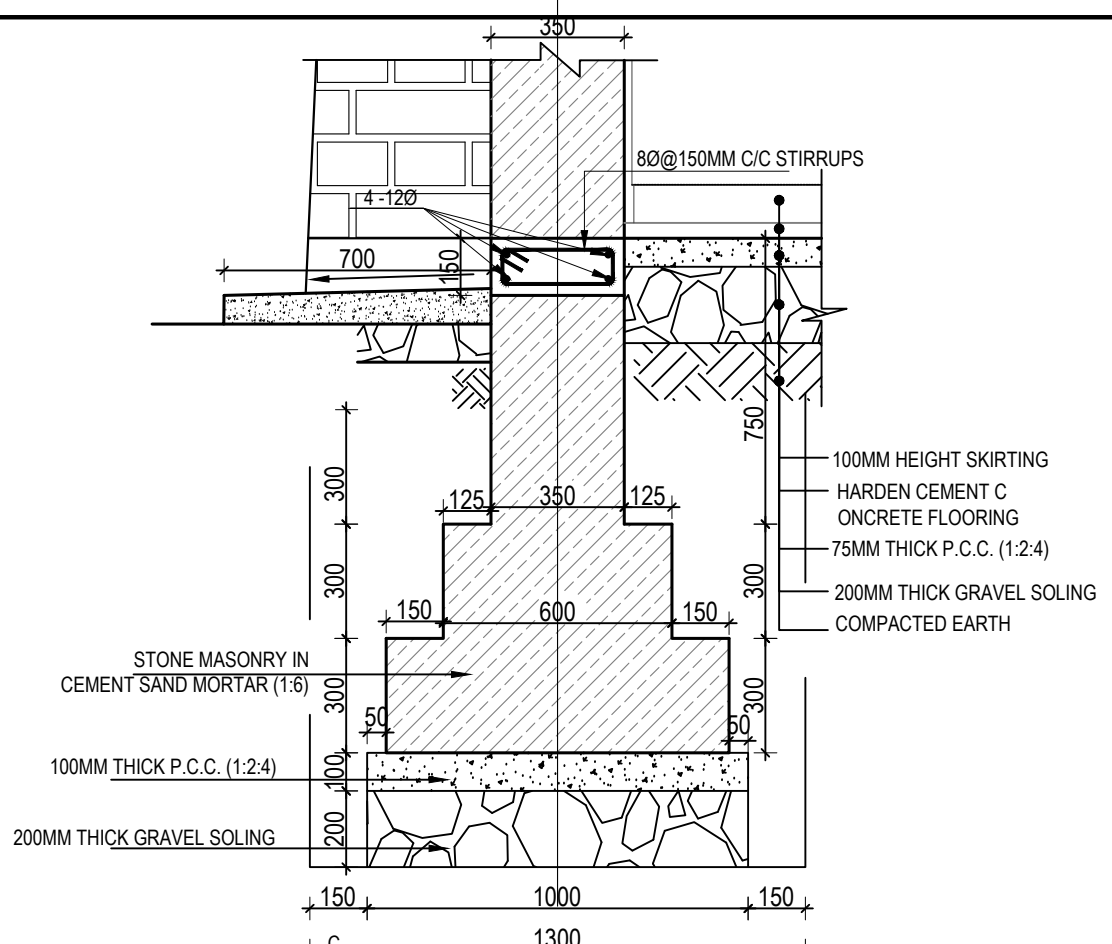
**4**



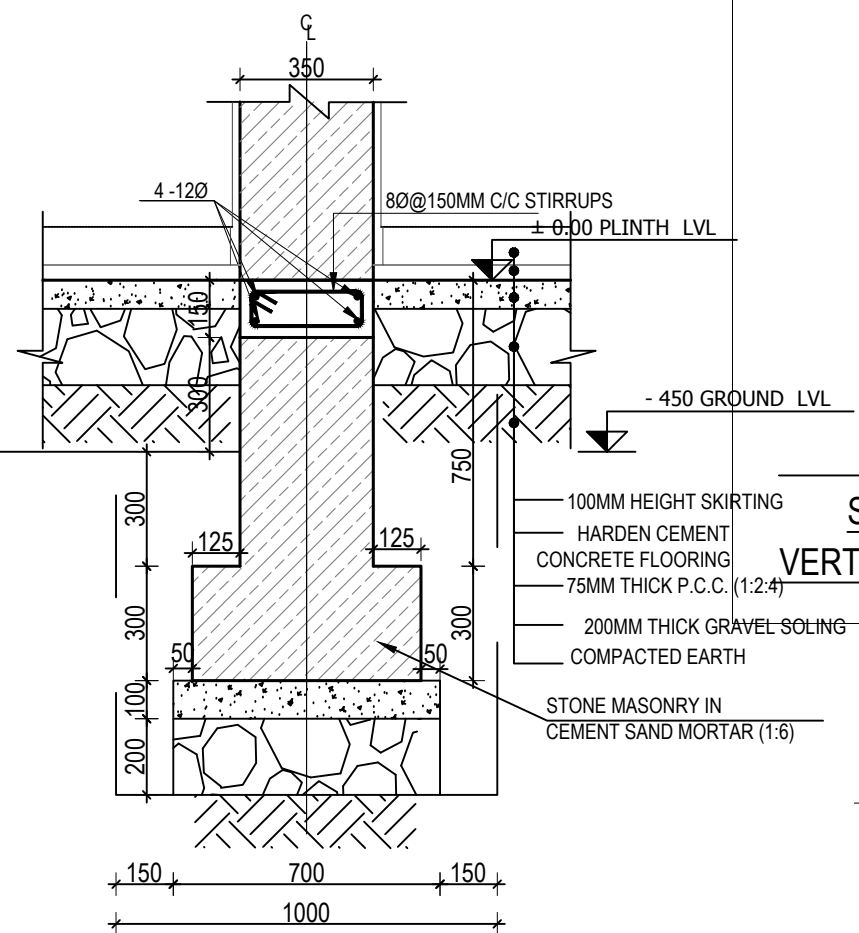
**TRENCH PLAN**  
(Scale= 1:100)



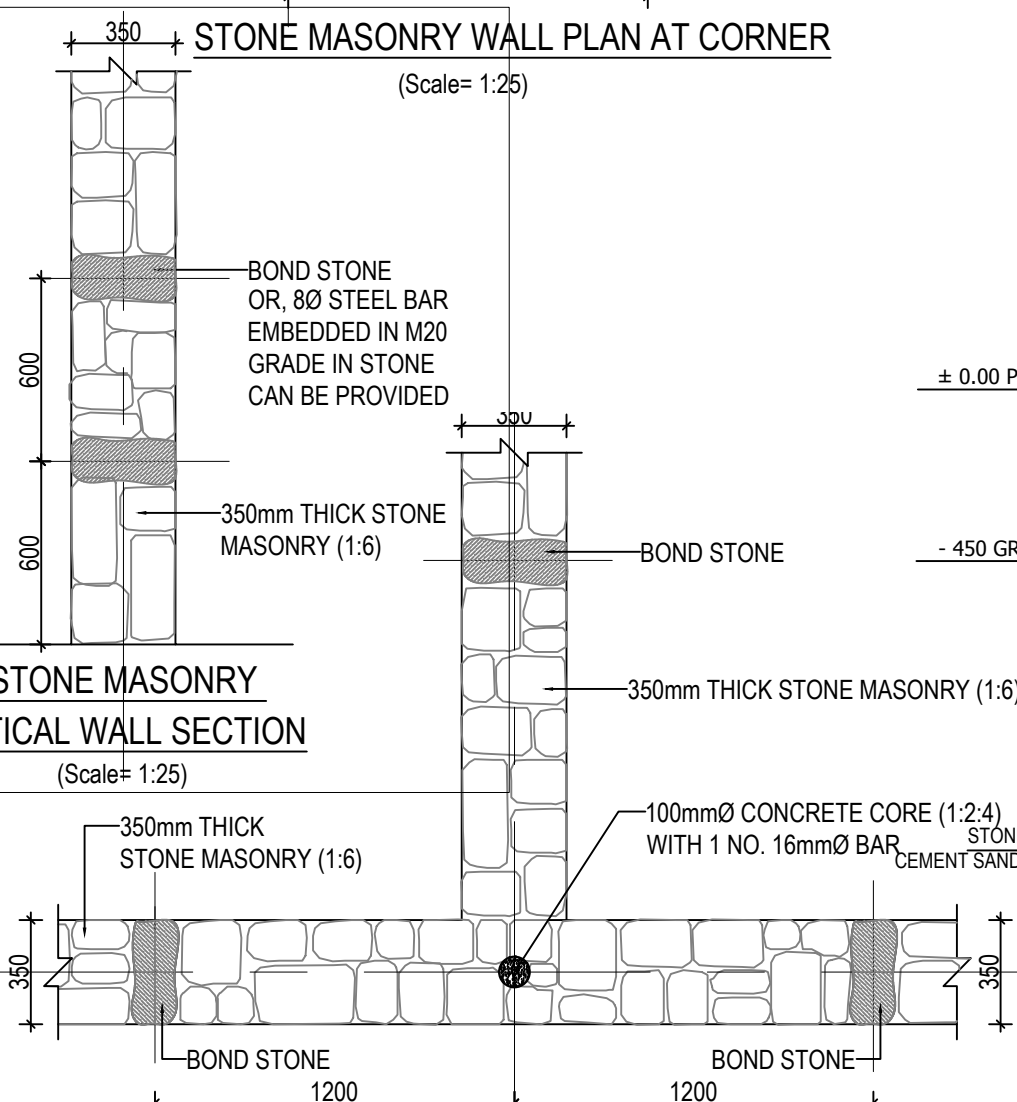
**STONE MASONRY WALL PLAN AT CORNER**  
(Scale= 1:25)



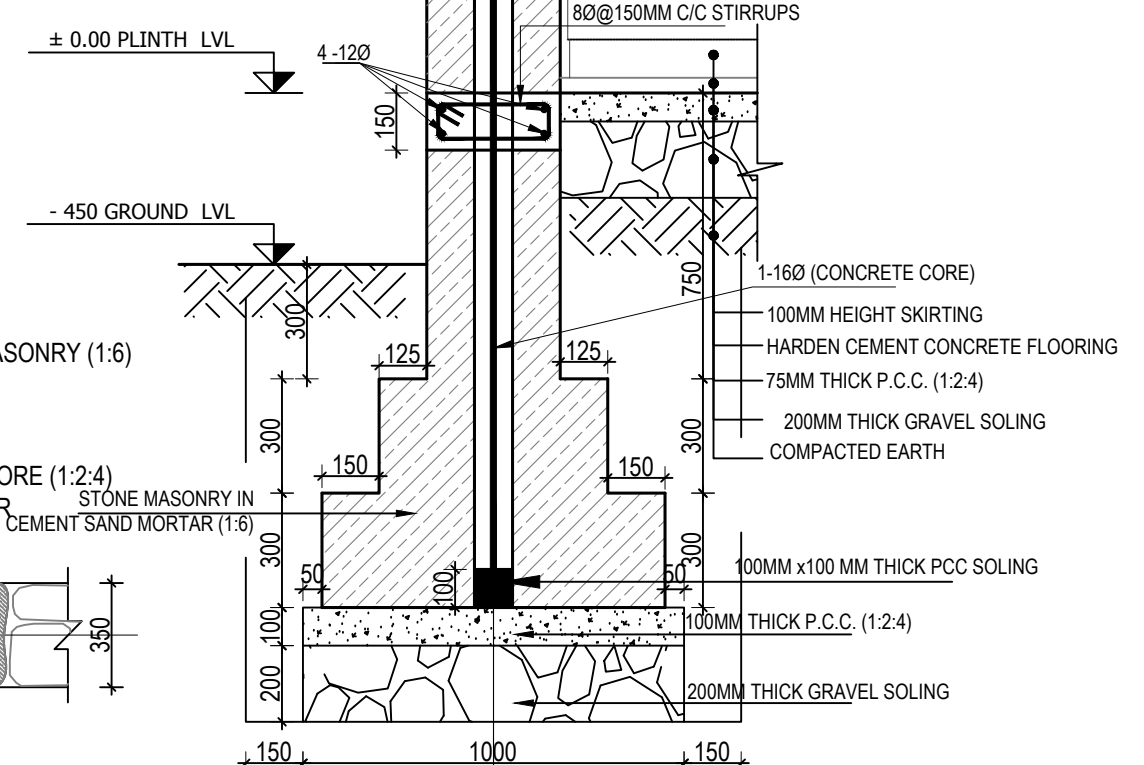
**FOOTING DETAIL AT M-M**  
(Scale= 1:20)



**STONE MASONRY VERTICAL WALL SECTION**  
(Scale= 1:25)



**STONE MASONRY WALL PLAN AT T-JUNCTION**  
(Scale= 1:25)



**FOOTING DETAIL AT CONCRETE CORE**  
(Scale= 1:20)

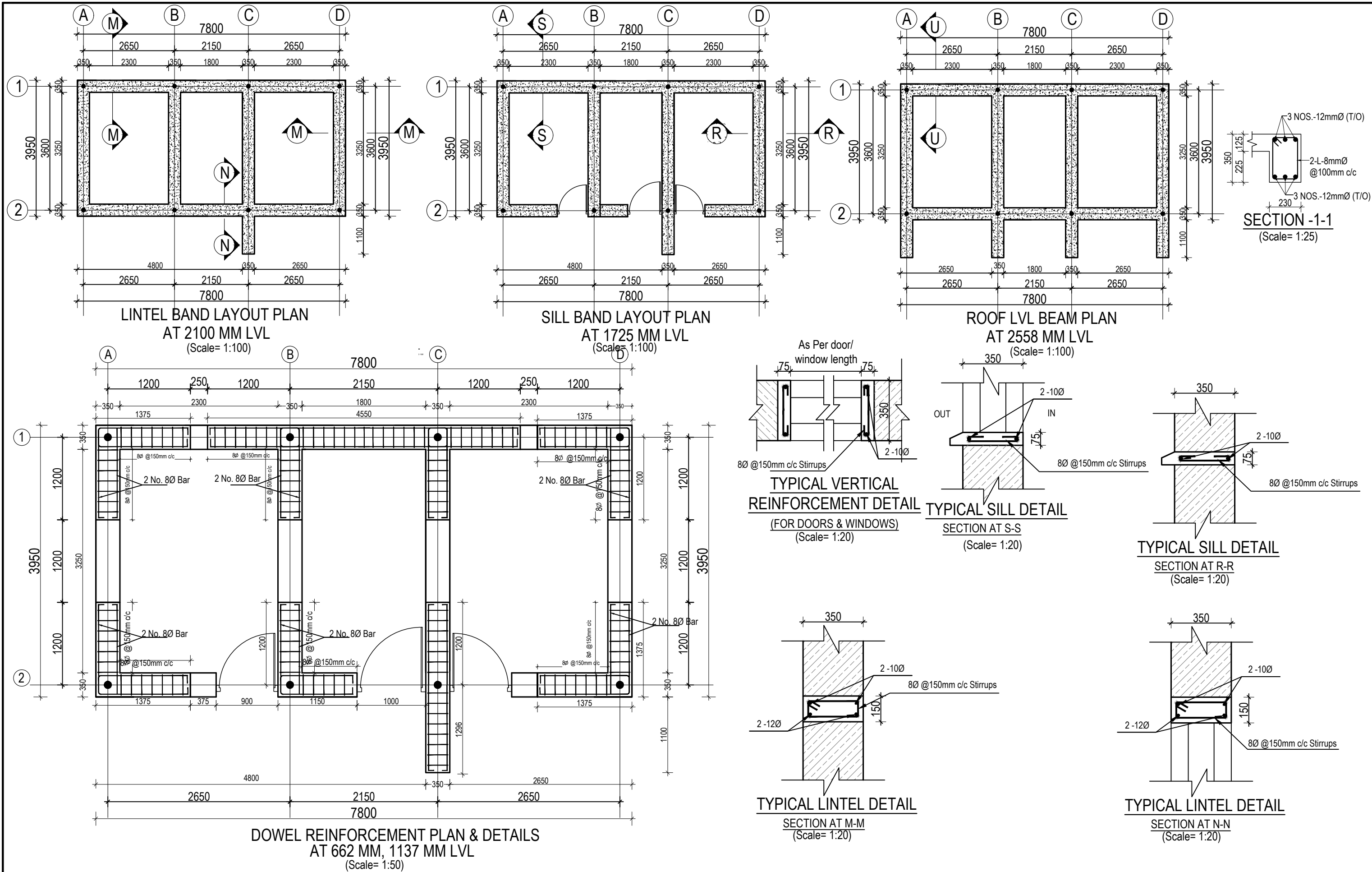
Government of Nepal  
National Reconstruction Authority  
Central Level Project Implementation Unit (EDU)  
Gyaneshwor, Kathmandu

PROJECT :  
2M/F-1D Toilet-  
Stone (May 2019)

TITLE :  
TRENCH PLAN & DETAILS

Date : May019  
Scale : As Mentioned  
Designed by :  
Checked by :  
Approved by :

Sheet No:  
**5**

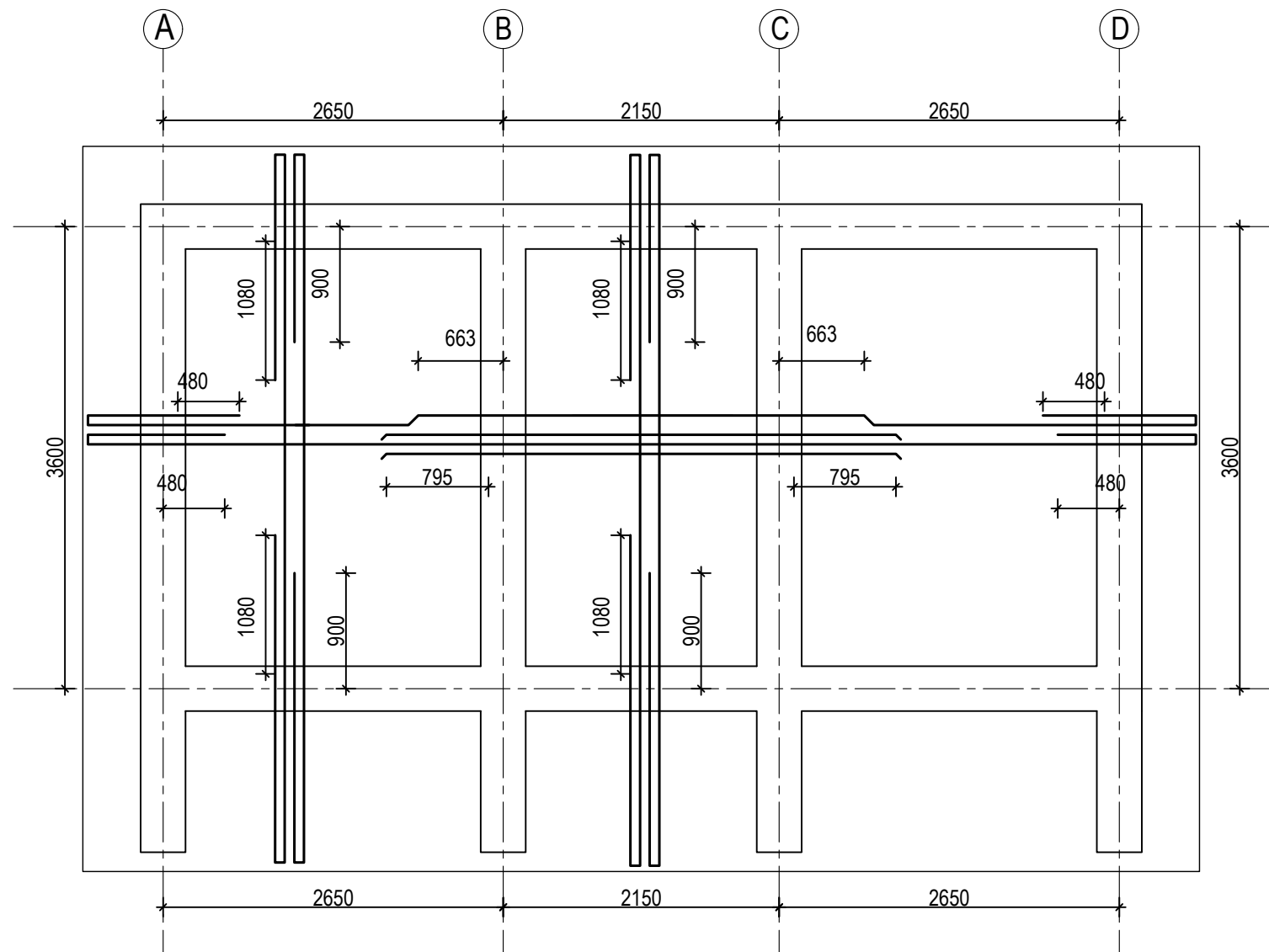


Government of Nepal  
National Reconstruction Authority  
Central Level Project Implementation Unit (EDU)  
Gyaneshwor, Kathmandu

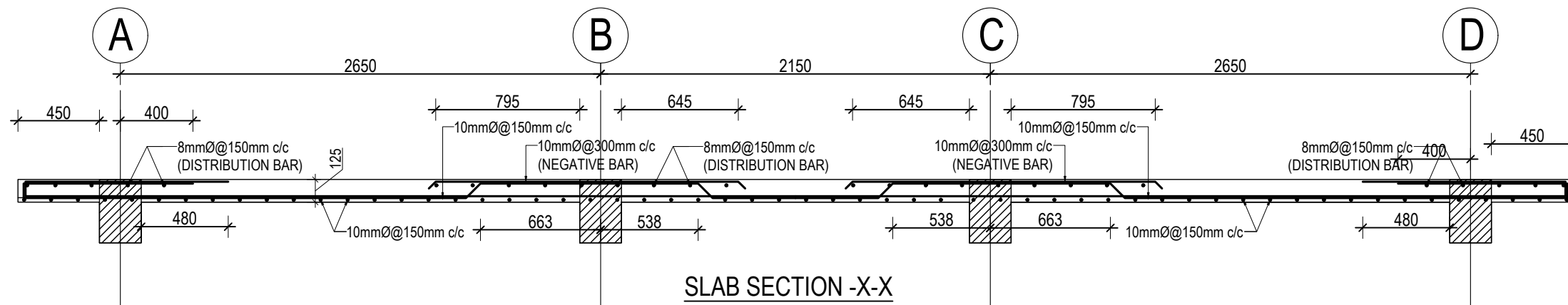
PROJECT :  
2M/F-1D Toilet-  
Stone (May 2019)

TITLE :  
LINTEL, SILL & BEAM BAND  
PLAN & DETAILS, DOWEL  
REINFORCEMENT DETAILS

Date :	May019	Sheet No:
Scale :	As Mentioned	
Designed by :		6
Checked by :		
Approved by :		



**SLAB REINFORCEMENT PLAN**  
(Scale= 1:50)



**SLAB SECTION -X-X**  
(SCALE = 1:30)

Government of Nepal  
National Reconstruction Authority  
Central Level Project Implementation Unit (EDU)  
Gyaneshwor, Kathmandu

PROJECT :  
2M/F-1D Toilet-  
Stone (May 2019)

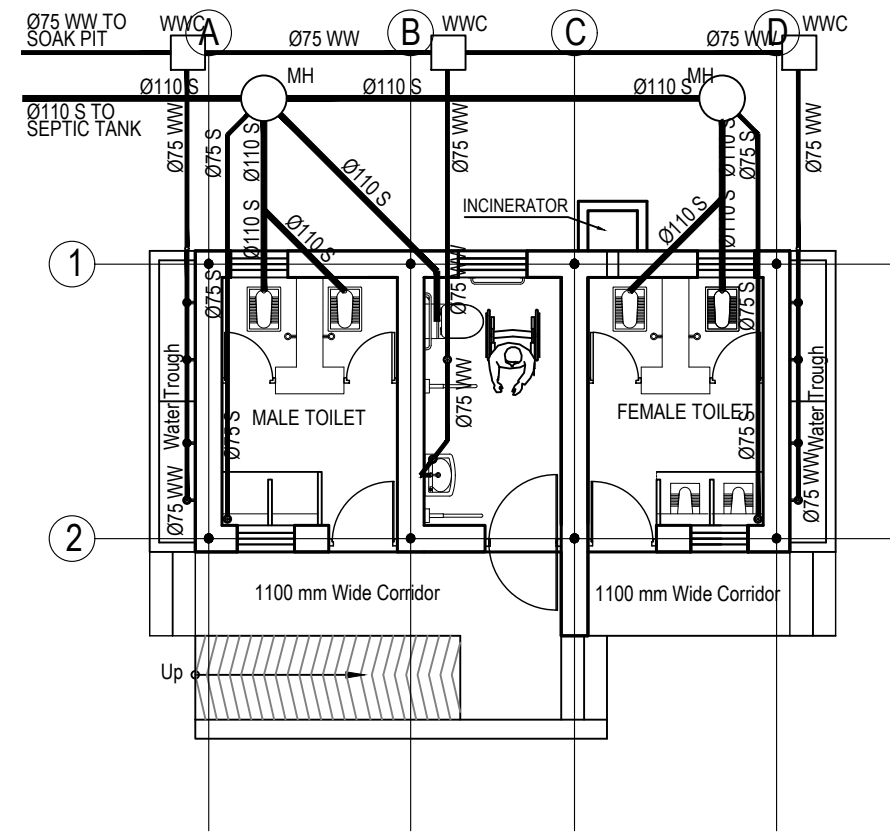
TITLE :  
SLAB REINFORCEMENT  
DETAILS

Date :	May019
Scale :	As Mentioned
Designed by :	
Checked by :	
Approved by :	

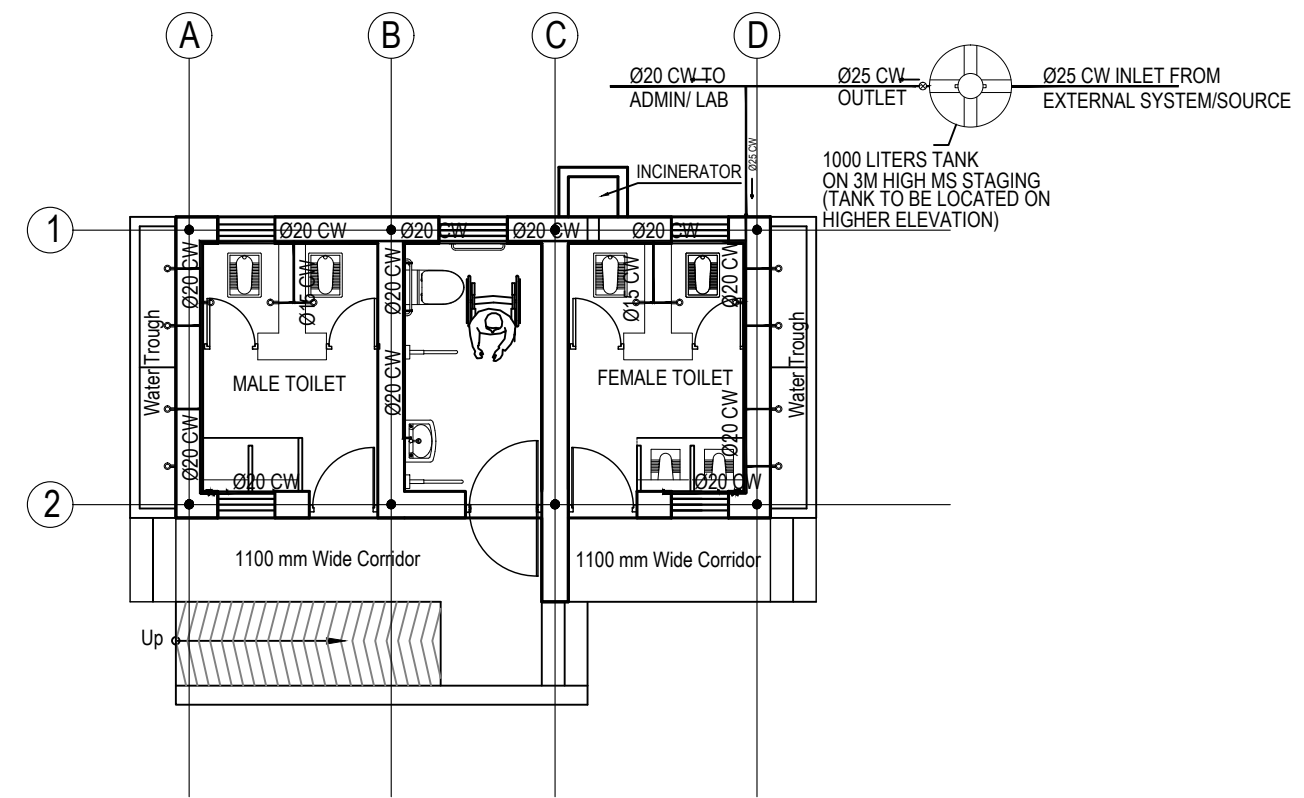
Sheet No:

**7**





SOIL, WASTE PIPE LAYOUT



WATER SUPPLY PIPE LAYOUT

Government of Nepal  
 National Reconstruction Authority  
 Central Level Project Implementation Unit (EDU)  
 Gyaneshwor, Kathmandu

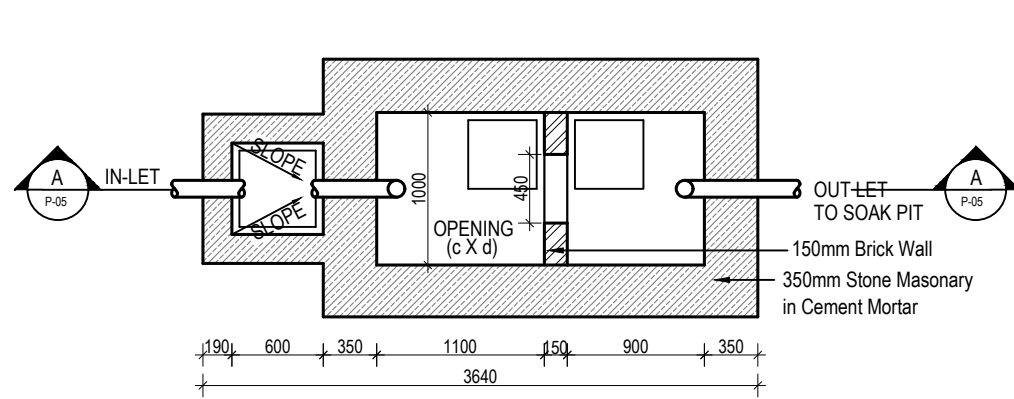
PROJECT :  
 2M/F-1D Toilet-  
 Stone (May 2019)

TITLE :  
 WATER SUPPLY, SOIL, WASTE  
 PIPE LAYOUT & WATER

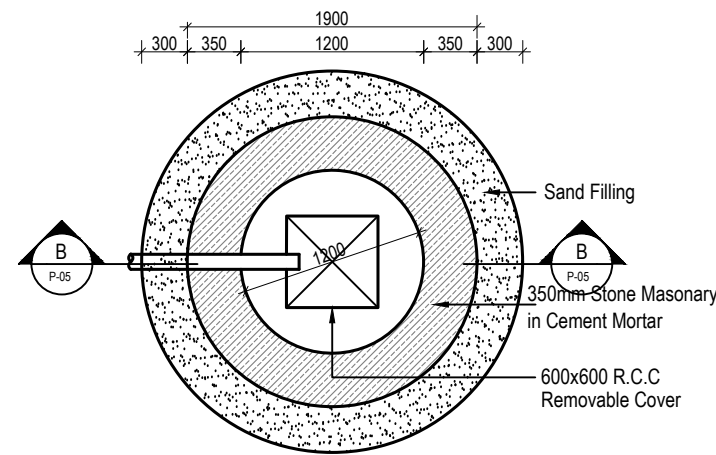
Date :	May019
Scale :	As Mentioned
Designed by :	
Checked by :	
Approved by :	

Sheet No:

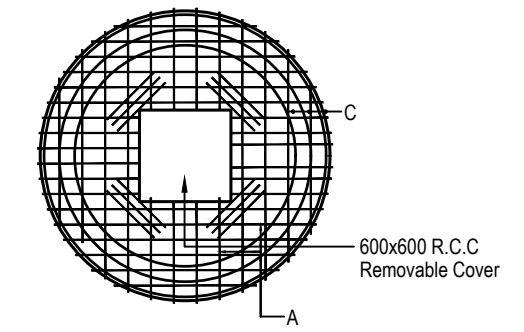
8



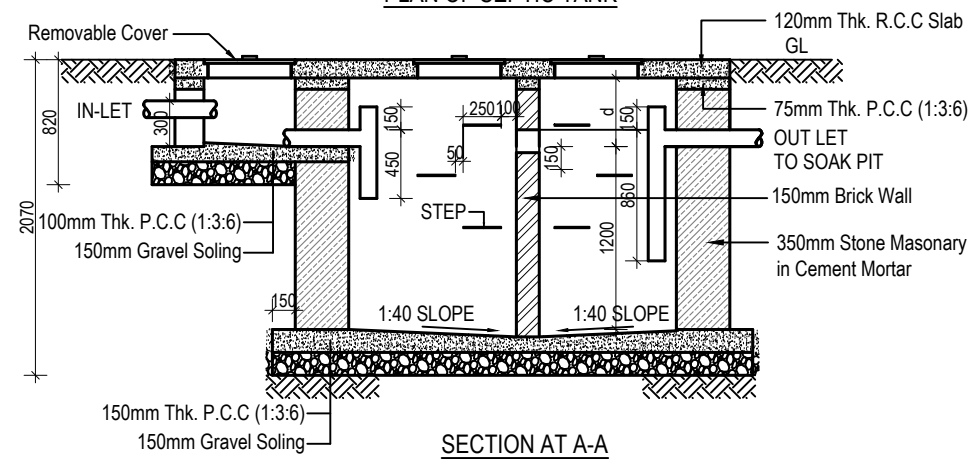
PLAN OF SEPTIC TANK



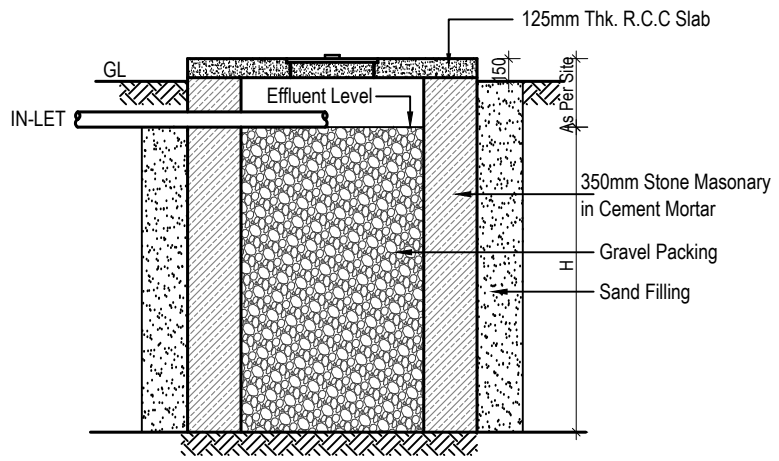
PLAN OF SOAK PIT



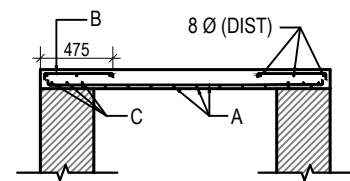
PLAN OF SOAK PIT COVER SLAB  
PLAN OF BOTTOM REINFORCEMENT



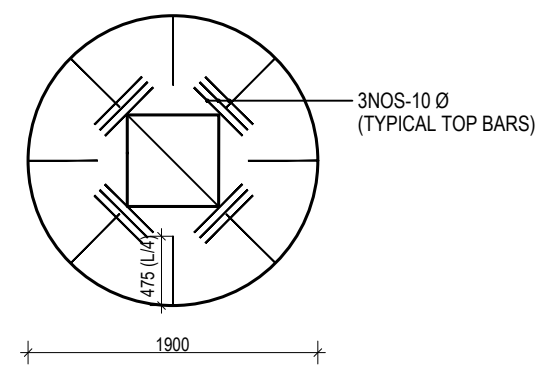
SECTION AT A-A



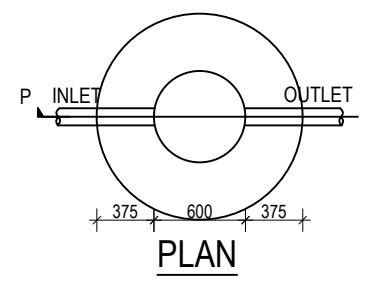
SECTION AT B-B



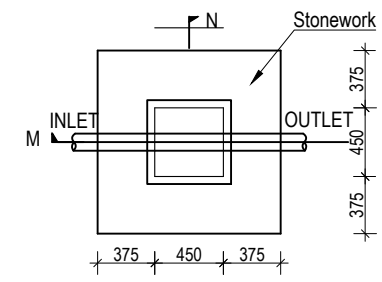
SECTION AT Z-Z



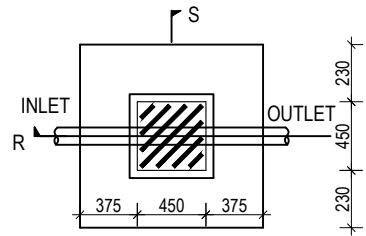
PLAN OF SOAK PIT COVER SLAB  
PLAN OF TOP REINFORCEMENT



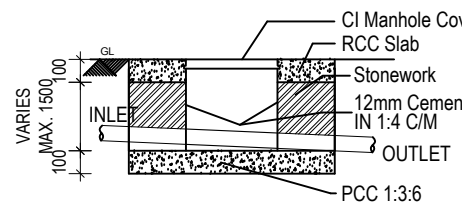
PLAN



PLAN

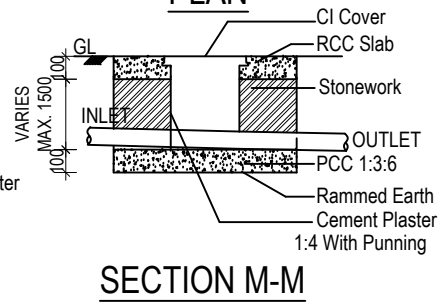


PLAN

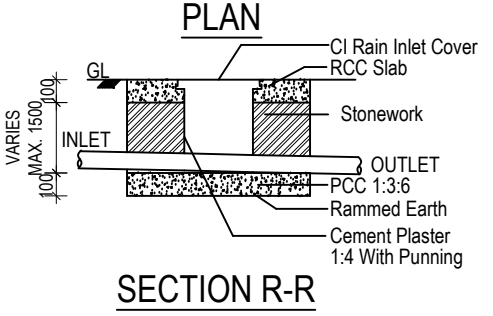


SECTION P-P

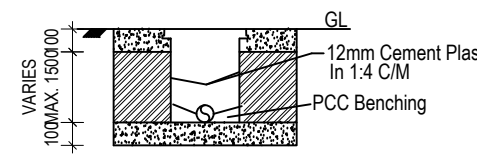
SEWER MANHOLE  
FOR DEPTH UPTO 1.5M



SECTION M-M

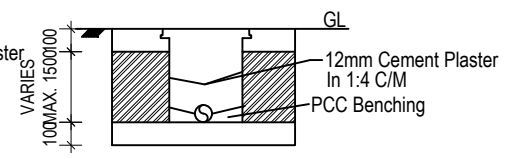


SECTION R-R



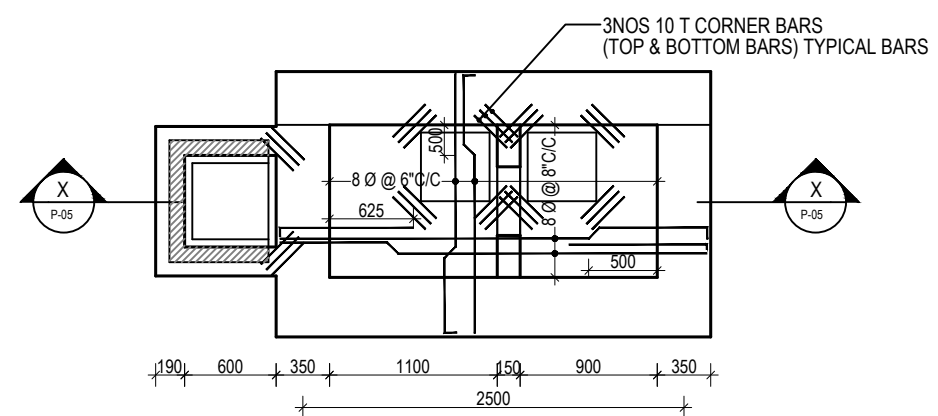
SECTION N-N  
WASTE CHAMBER

MANHOLE & CHAMBERS

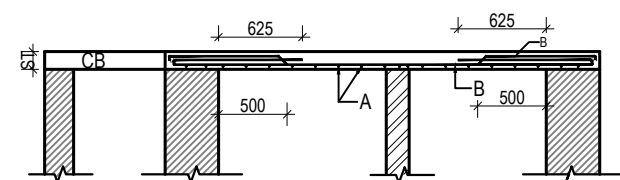


SECTION S-S

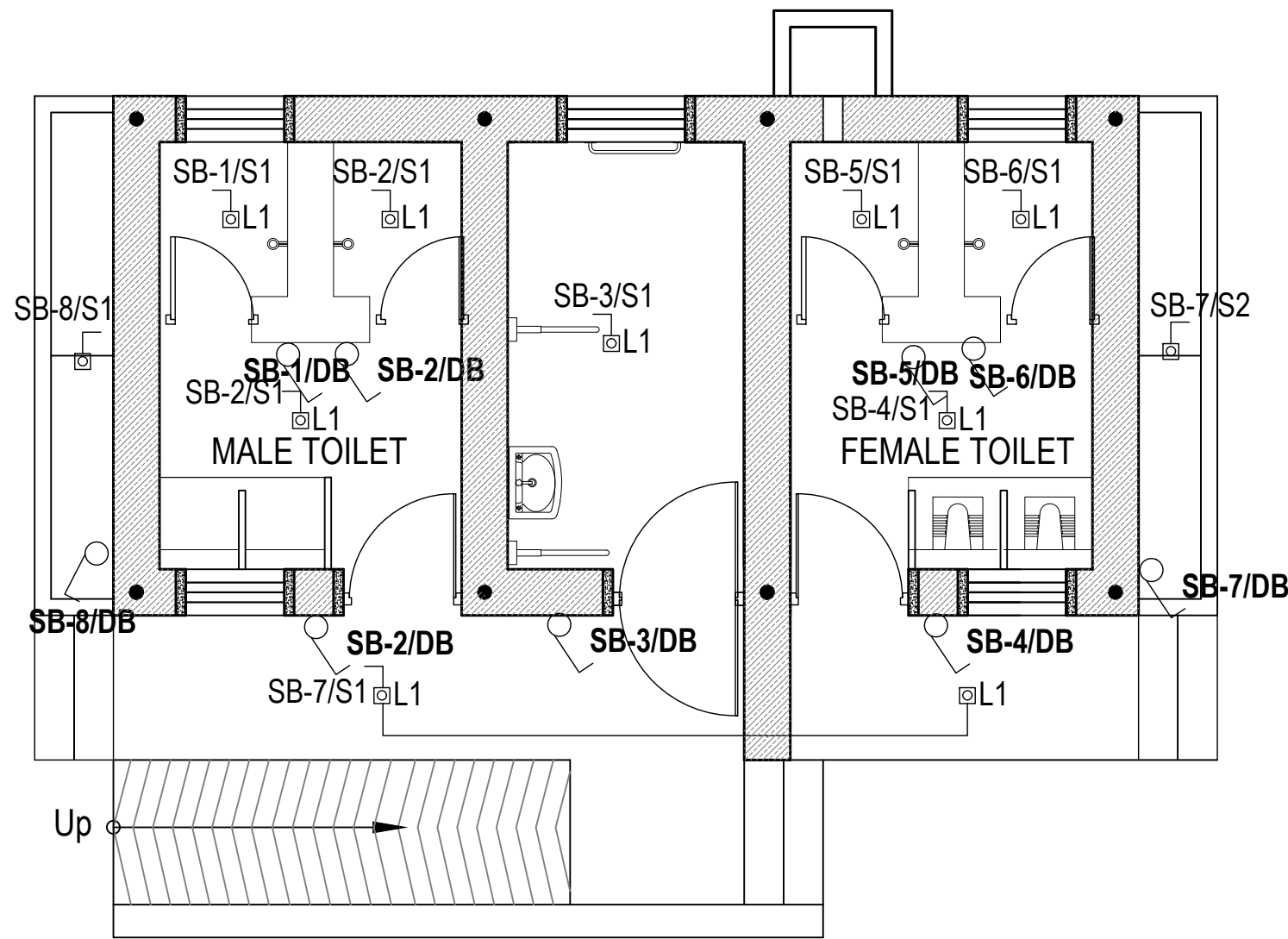
RAIN INLET CHAMBER



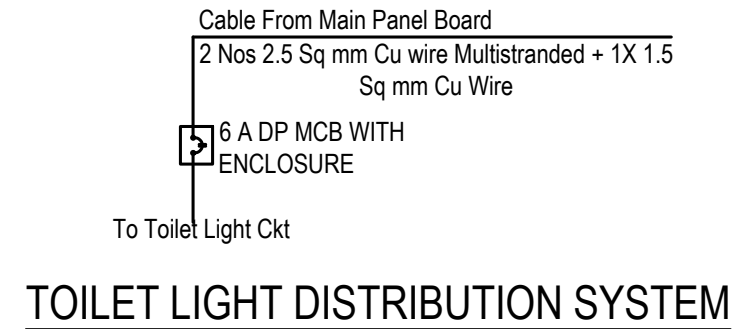
REINFORCEMENT DETAIL OF SEPTIC TANK COVER SLAB



SECTION AT X-X



**TOILET 1-3(T) PLAN  
LIGHT LAYOUT**



LEGENDS			
S.No.	Symbols	Description	Mounting Height
1.	☐	6 W LED Square Panel Light of 360 Lumen	Attached to the Ceiling
2.	▣	6 A DP MCB WITH ENCLOSURE	2.5 m above the Ground Level